

ABQ Rotary Actuated Air Gripper



Feature

- 90° , 180° rotary and gripping
- Double force rotary
- 3 finger centre gripping

Specification

Item	Bore size (mm)	Ø10	Ø16	Ø20	Ø25
Action		Double acting			
Fluid		Air			
Pressure range kgf / cm ² (kPa)	Gripper unit	2 ~ 7 (200 ~ 700)			
	Rotary unit	2 ~ 7 (200 ~ 700)			
Ambient and fluid temperature	°C	5 ~ 60			
Rotation angle	°	90, 180			
Torque force	N·m	0.6	1.5	2.2	3.2
Allowable kinetic energy	J	0.006	0.007	0.025	0.048

Product weight

Bore size	Weight(kg)
Ø10	0.88
Ø16	1.3
Ø20	1.6
Ø25	2.6

Note: All of above are theoretical data.
Weight tolerance about ±5%



Code of order

ABQ-10 A-180-AMS-L 2- AMS-L 2

① ② ③ ④ ⑤ ⑥ ⑦

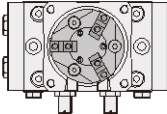
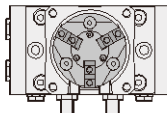
①

Mark	Bore size (mm)
10	Ø10
16	Ø16
20	Ø20
25	Ø25

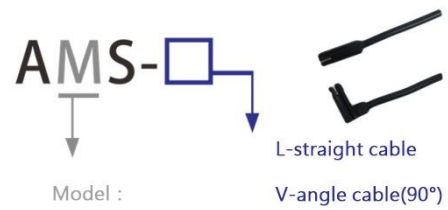
⑤

Mark	Sensor quantity
1	With 1 sensor switch
2	With 2 sensor switches

②

Mark	Starting Position	Description
A		B port face to gripper in horizontal position
B		B port face to gripper in vertical position

⑥



Model :

M-2 wire Without contact

N-3 wire Without contact(NPN)

P-3 wire Without contact(PNP)

wire length-L : 2000mm

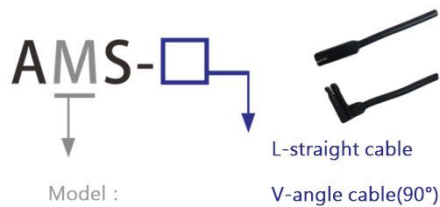
③

Mark	Rotation angle
90	90°
180	180°

⑦

Mark	Sensor quantity
1	With 1 sensor switch
2	With 2 sensor switches

④



Model :

M-2 wire Without contact

N-3 wire Without contact(NPN)

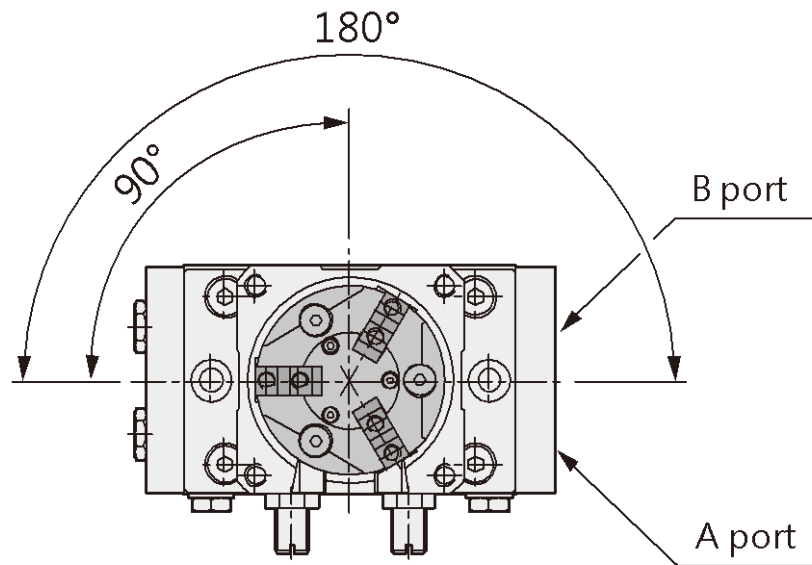
P-3 wire Without contact(PNP)

wire length-L : 2000mm



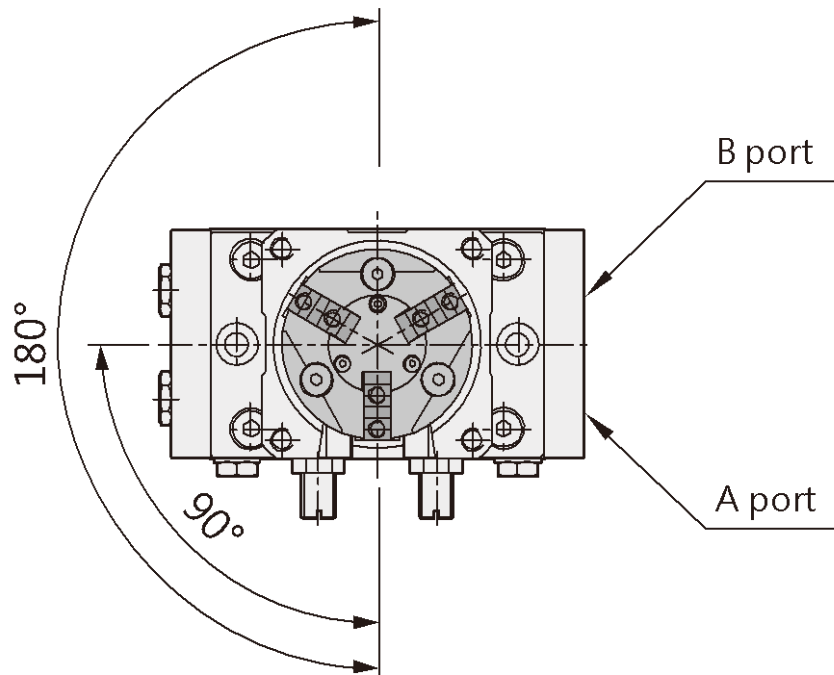
Rotation range

Starting position at A



From top view, B port is to activate gripper

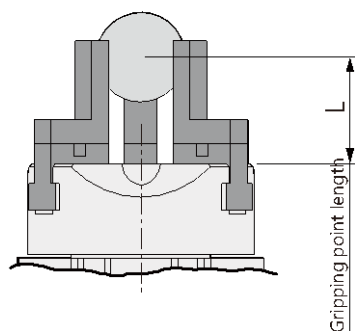
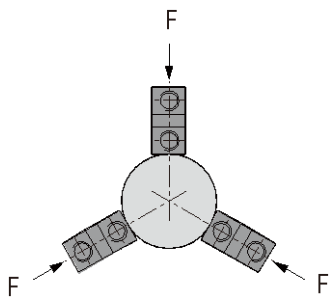
Starting position at B



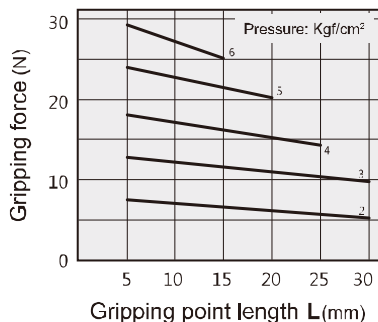
From top view, B port is to activate gripper

Characteristics graph

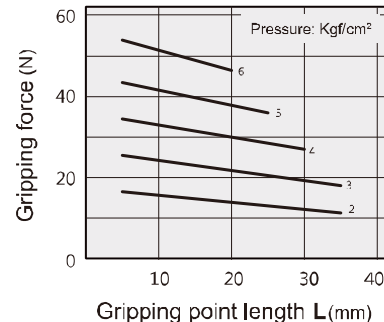
External grip



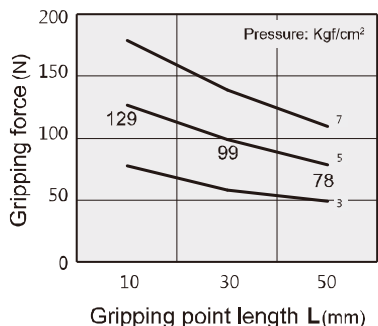
ABQ 10



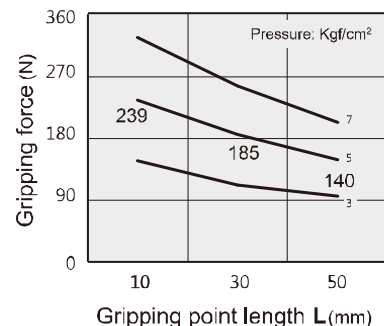
ABQ 16



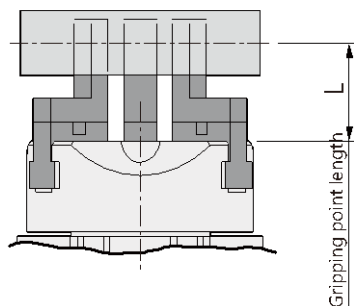
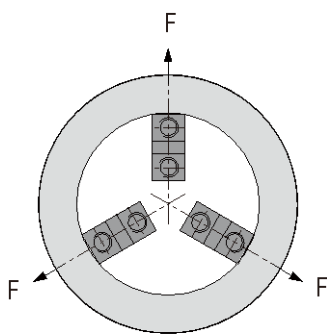
ABQ 20



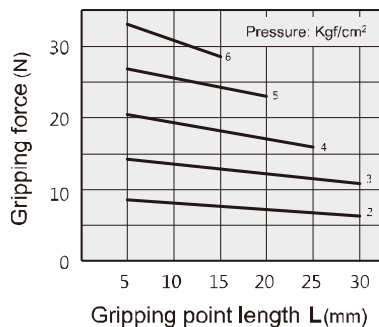
ABQ 25



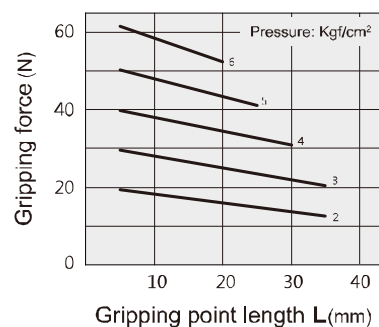
Internal grip



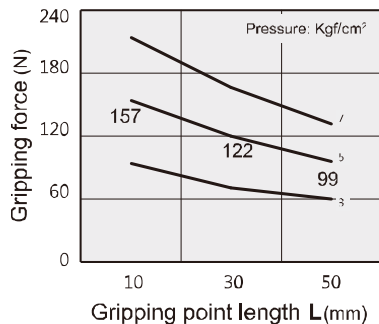
ABQ 10



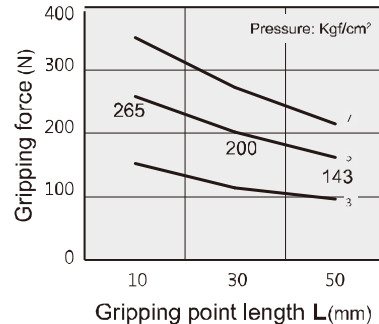
ABQ 16



ABQ 20

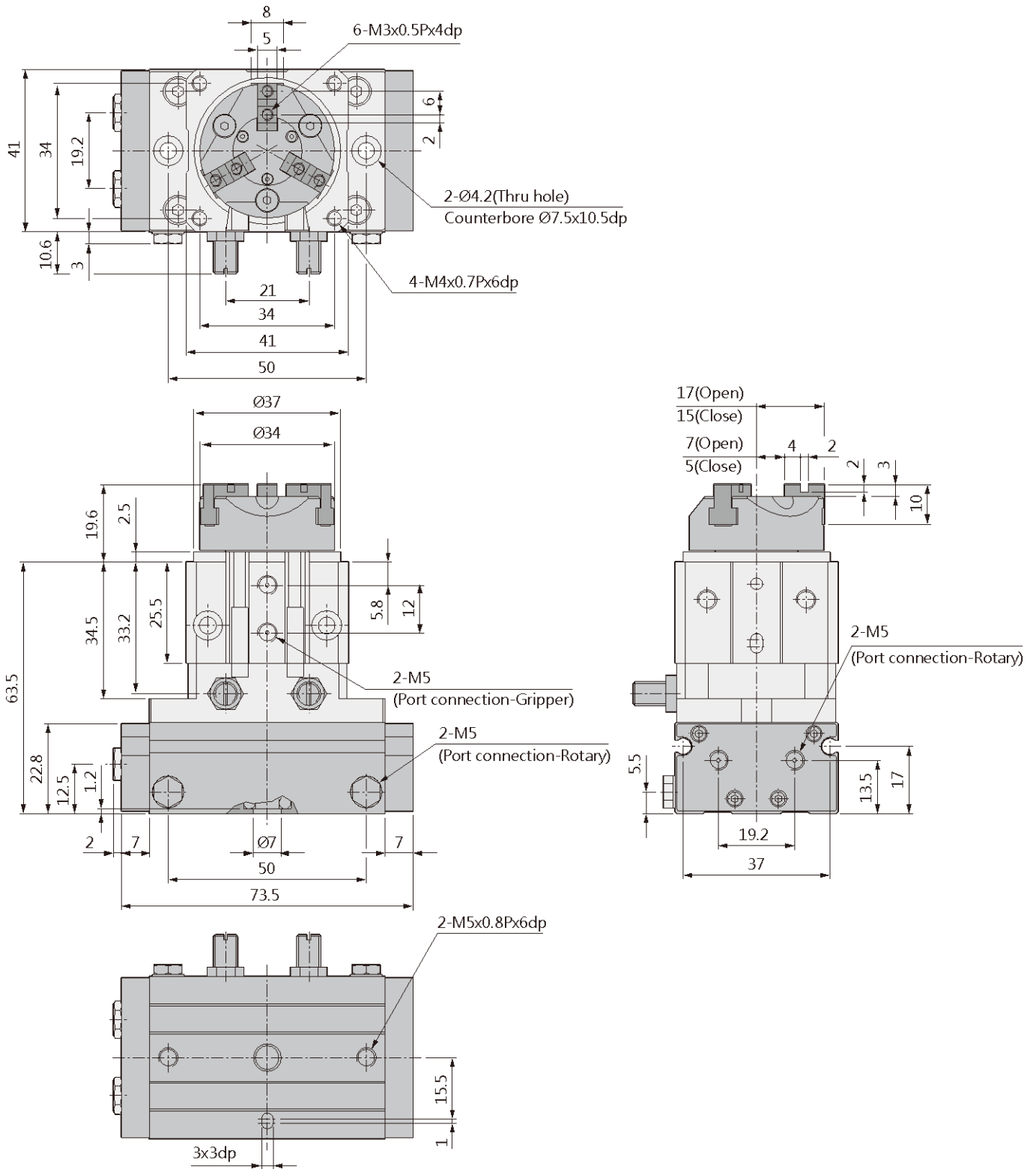


ABQ 25

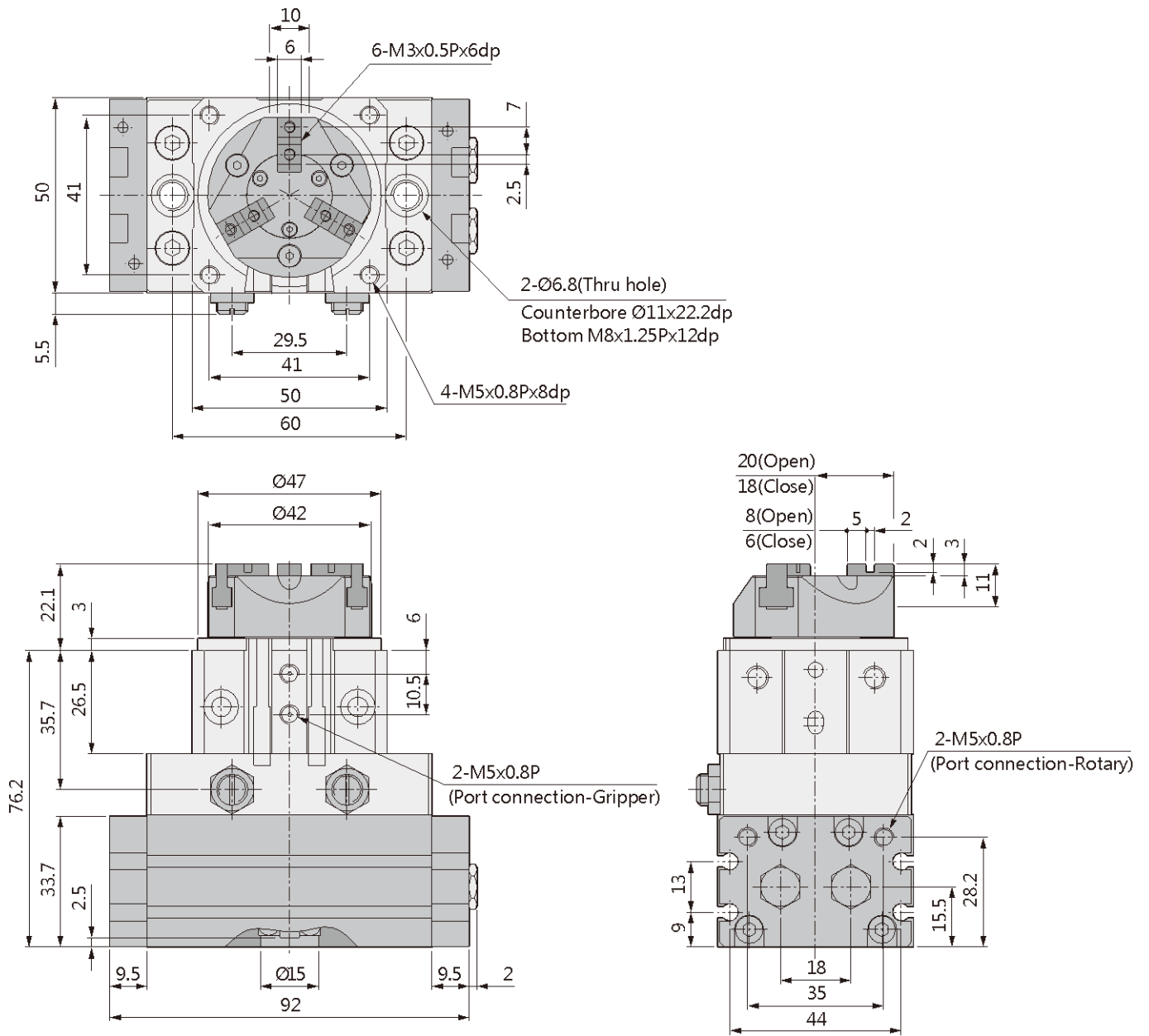


Dimensions

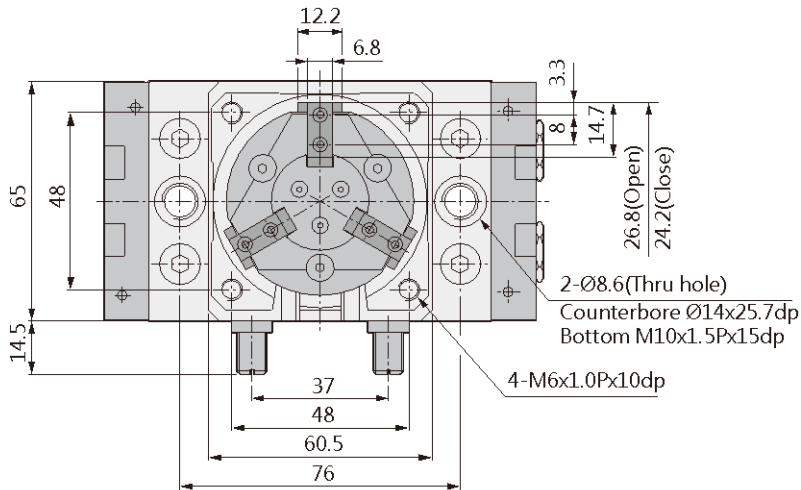
■ ABQ-10



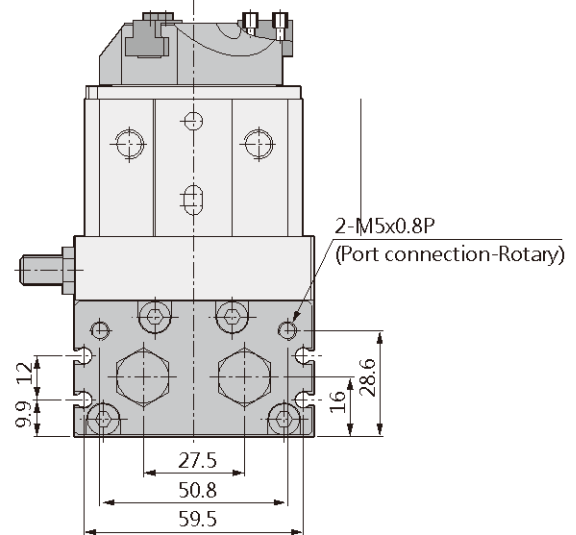
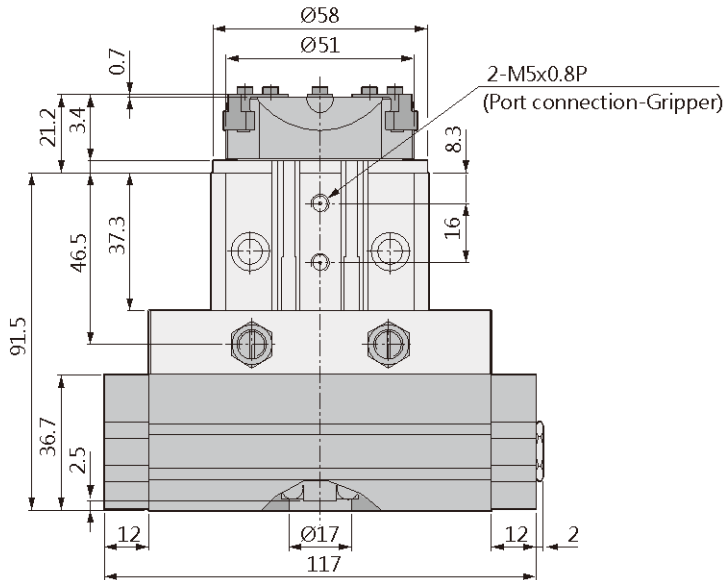
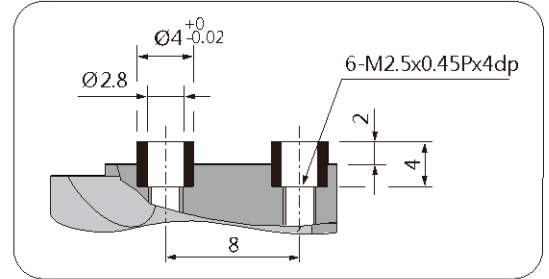
■ ABQ-16



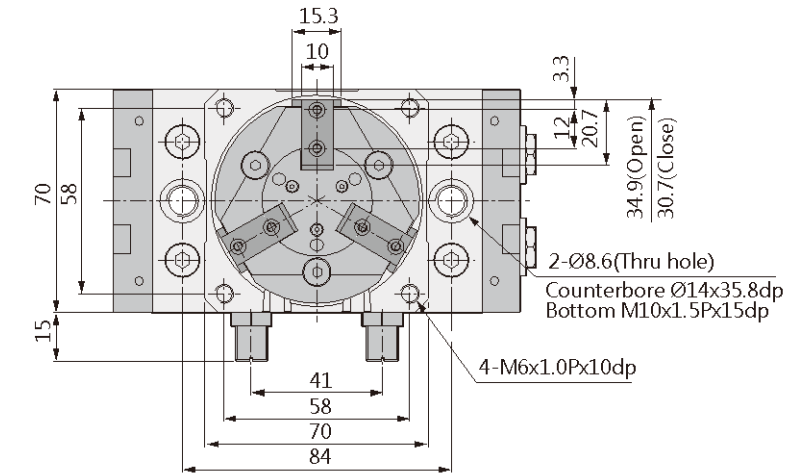
■ ABQ-20



■ Close-up of centering sleeve



■ ABQ-25



■ Close-up of centering sleeve

