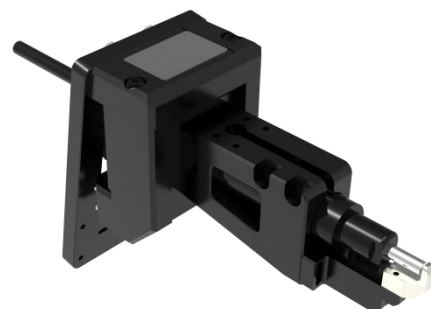

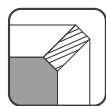


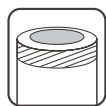
Deburring & Grinding Tool Pneumatic spindle-AC300



 Larger burrs on the curve



Straight hole



Outer circle



Straight strip



Keyway

Features

Processing relying on the workpiece surface

Applicable Materials

Aluminum, copper, steel, plastic, composite materials, wood.

Function	Pneumatic spindle
Chuck size	Φ3、Φ6/Shell end mill
Floating pressure	0.1-0.5MPa
Floating stroke	Unidirectional 5.5°
Floating force	4-8N
Spindle pressure	0.6MPa
Weight	1.7kg
Dimensions (Length, Width, Height)	202 x 80 x 134
Rotational speed/Reciprocating frequency	35000RPM
Air consumption/Power	350LPM

