



ADF Rotary Joint Air/Electrical




Features

- Transmission for electrical signals and compressed air.
- easy for connection.
- Compact design, both side have flange mounting, Widely apply with robot and rotary table.
- 360° continuous rotation, without tangling of tubes and electric wires.
- Standards: GB / T 14468.1-2006 / ISO 9409-1: 2004.

Specification

Model	ADF31-2	ADF31-4	ADF40-2	ADF40-4	ADF50-2	ADF50-4
Air Ways	2	4	2	4	2	4
Electrical Signals	4	6	4	6	4	6
Fluid	Air					
Operating Pressure Range	MPa (kgf/cm ²) 0.1 ~ 1.0 (1.0 ~ 10)					
Rated Voltage	V 60					
Rated Current	A 1					
Operating Temperature Range	°C 5 ~ 60					
Max. Rotation per Minutes	Rpm 120	110	120	110	120	110
Port	M5X0.8					
Mass	kg 0.50	1.06	0.85	1.80	0.85	1.90

Order Code

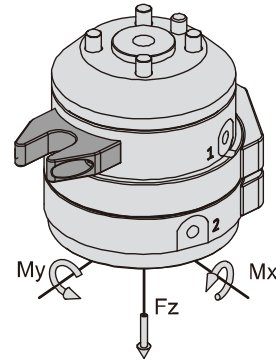
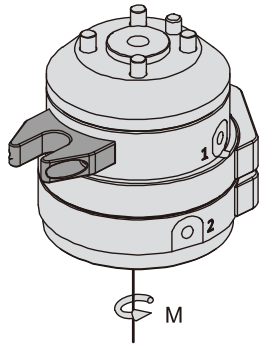
ADF	31	—	2	FA
Series	Flange Mounting Diameter	—	Port Number	Accessories
	31 Ø31.5		2 2 Air Ways 4 Signals	Blank Without
	40 Ø40		4 4 Air Ways 6 Signals	FA Flange Plate
	50 Ø50			

Order Example : Flange Mounting Diameter: Ø40; Port no.: 2 air ways; 4 electrical signals. Order Code: ADF40-2

Allowable Loads

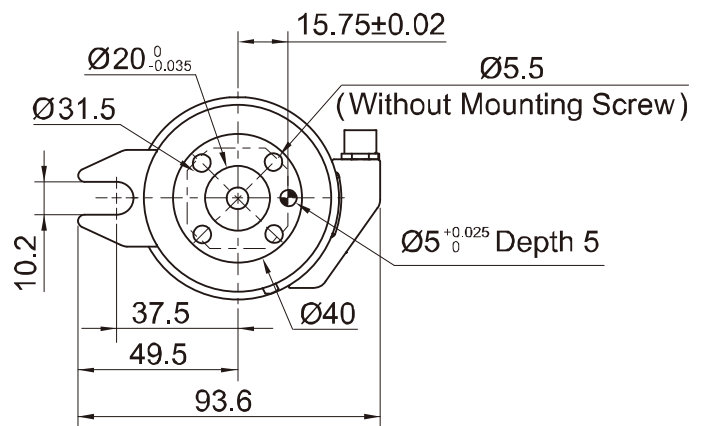
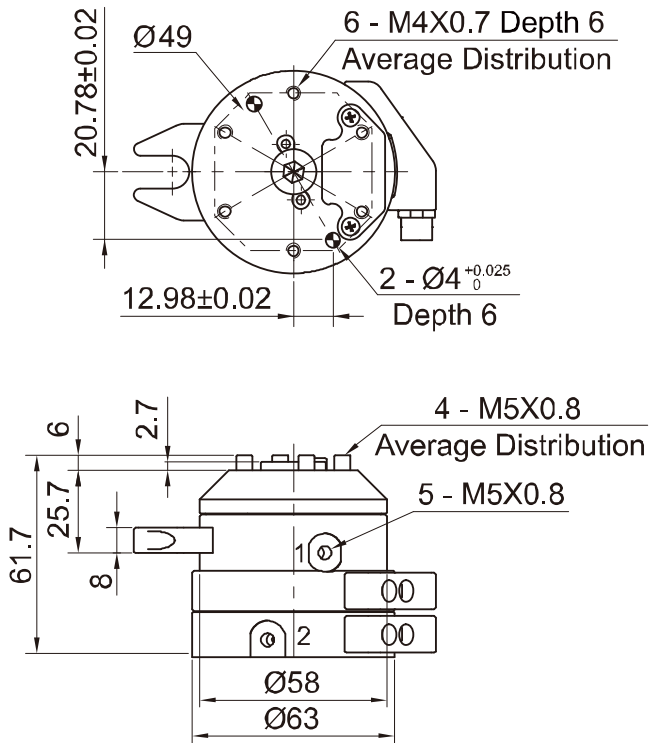
Model	Constant Torque (N·m)	Starting Torque (N·m)	Mx Max (N·m)	My Max (N·m)	Fz Max (N)
ADF31-2	1.0	1.5	20	20	2000
ADF31-4	4.0	5.0	50	50	2000
ADF40-2	1.5	2.5	70	70	4000
ADF40-4	6.0	8.0	110	110	4000
ADF50-2	1.5	2.5	70	70	4000
ADF50-4	6.0	8.0	110	110	4000

Force Diagram

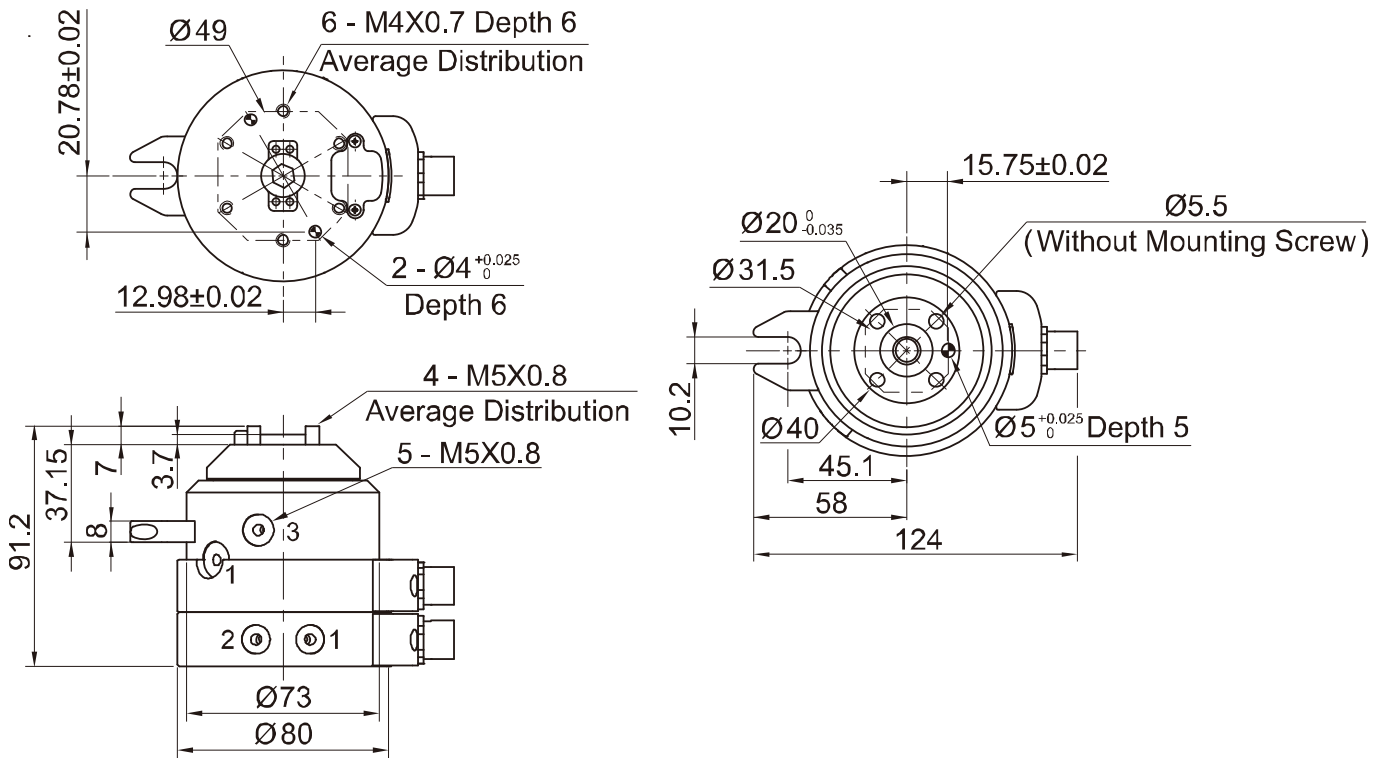


Dimensions (mm)

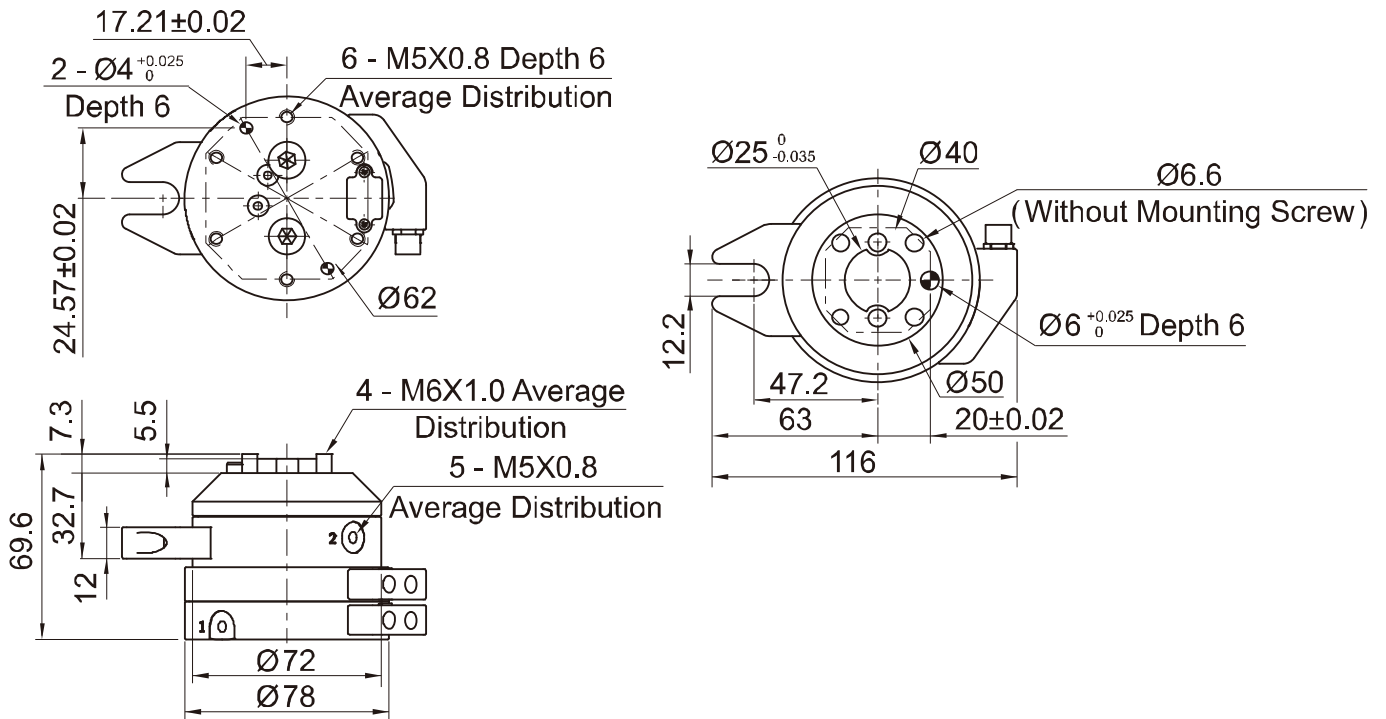
■ ADF31-2



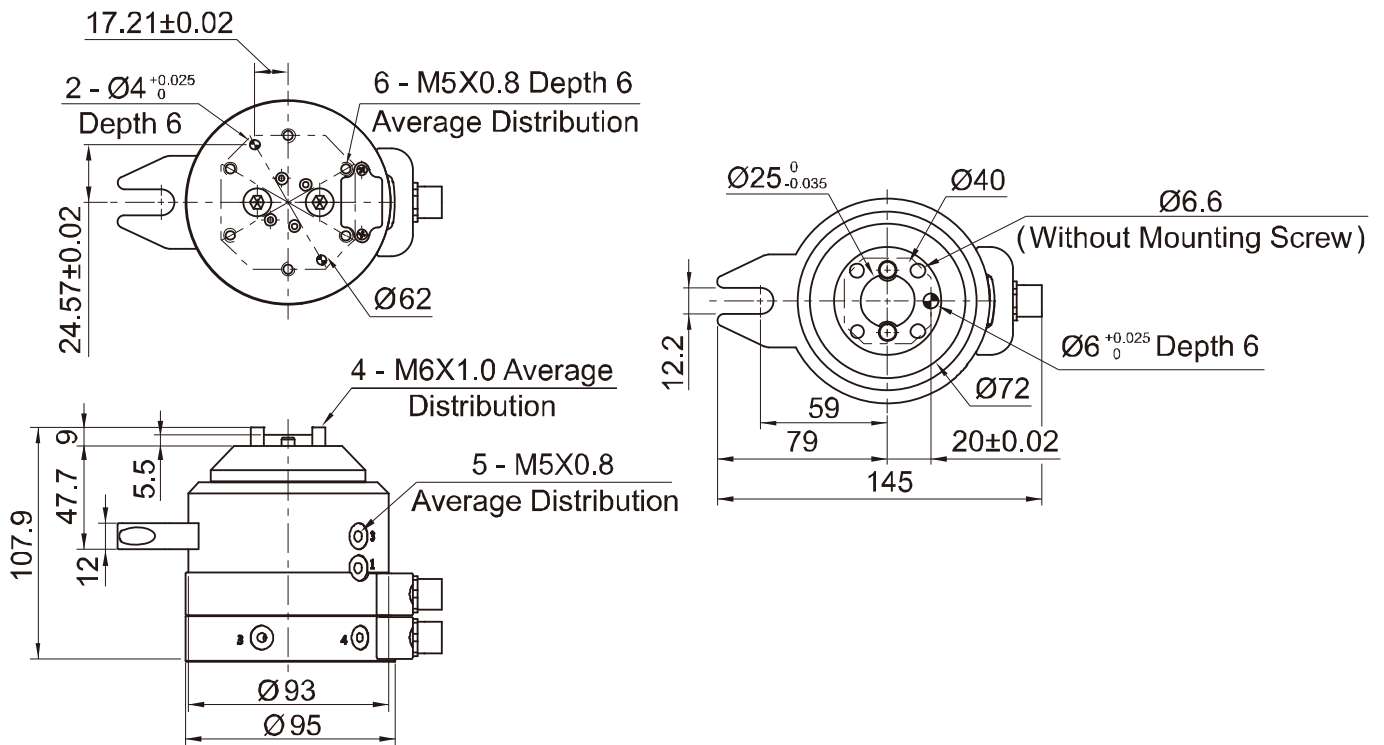
■ ADF31-4



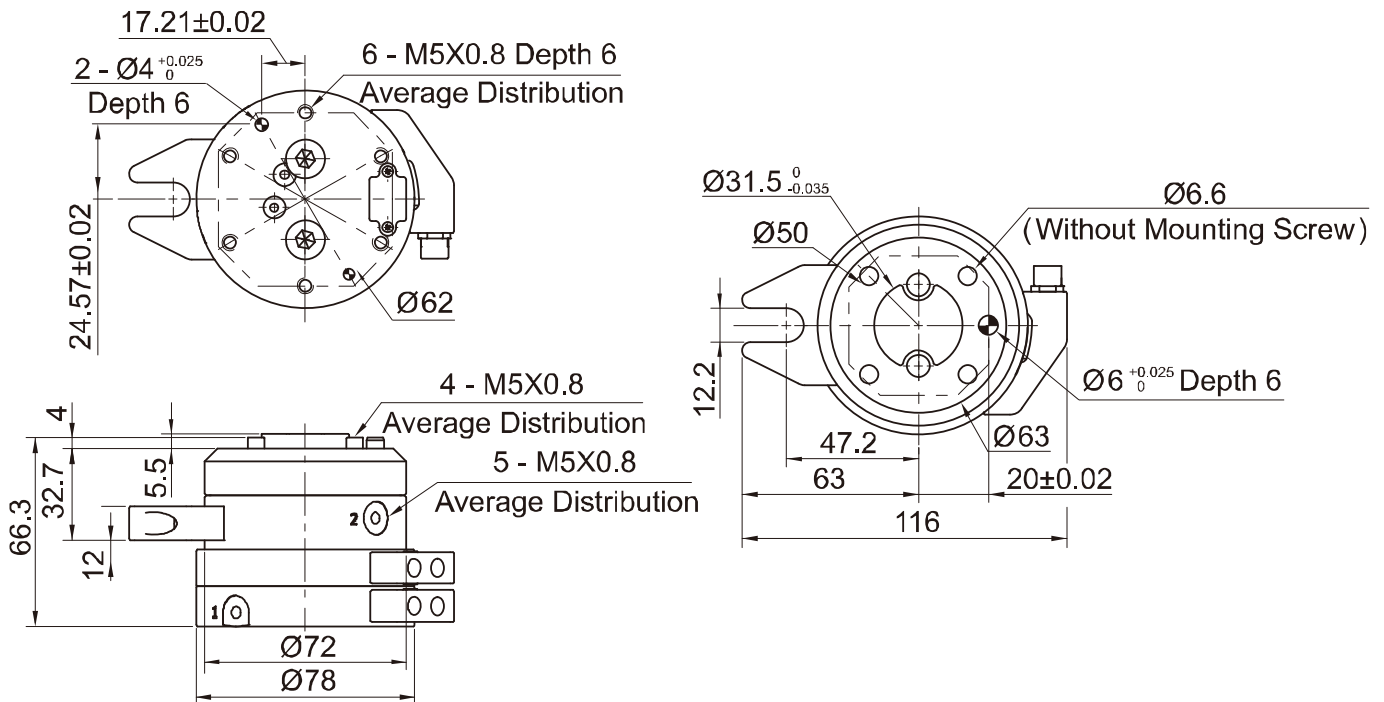
■ ADF40-2



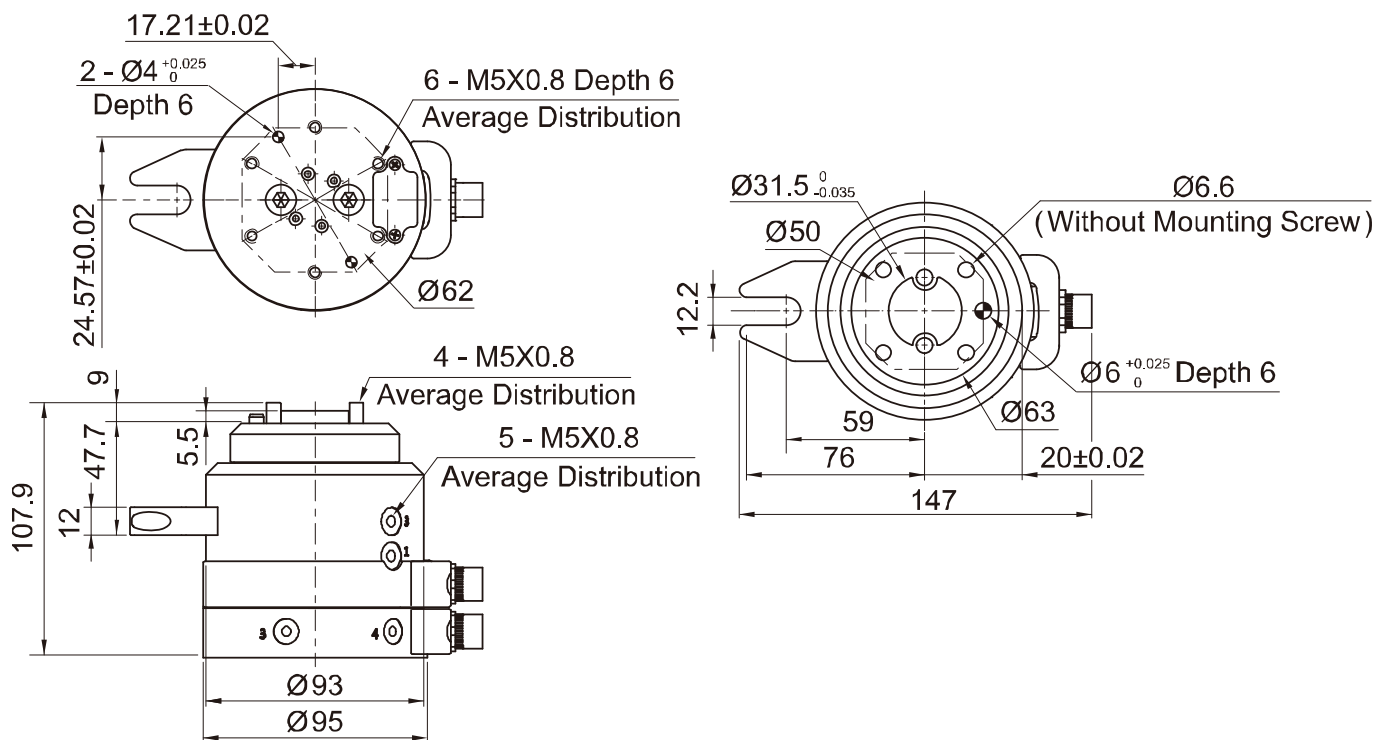
■ ADF40-4



■ ADF50-2

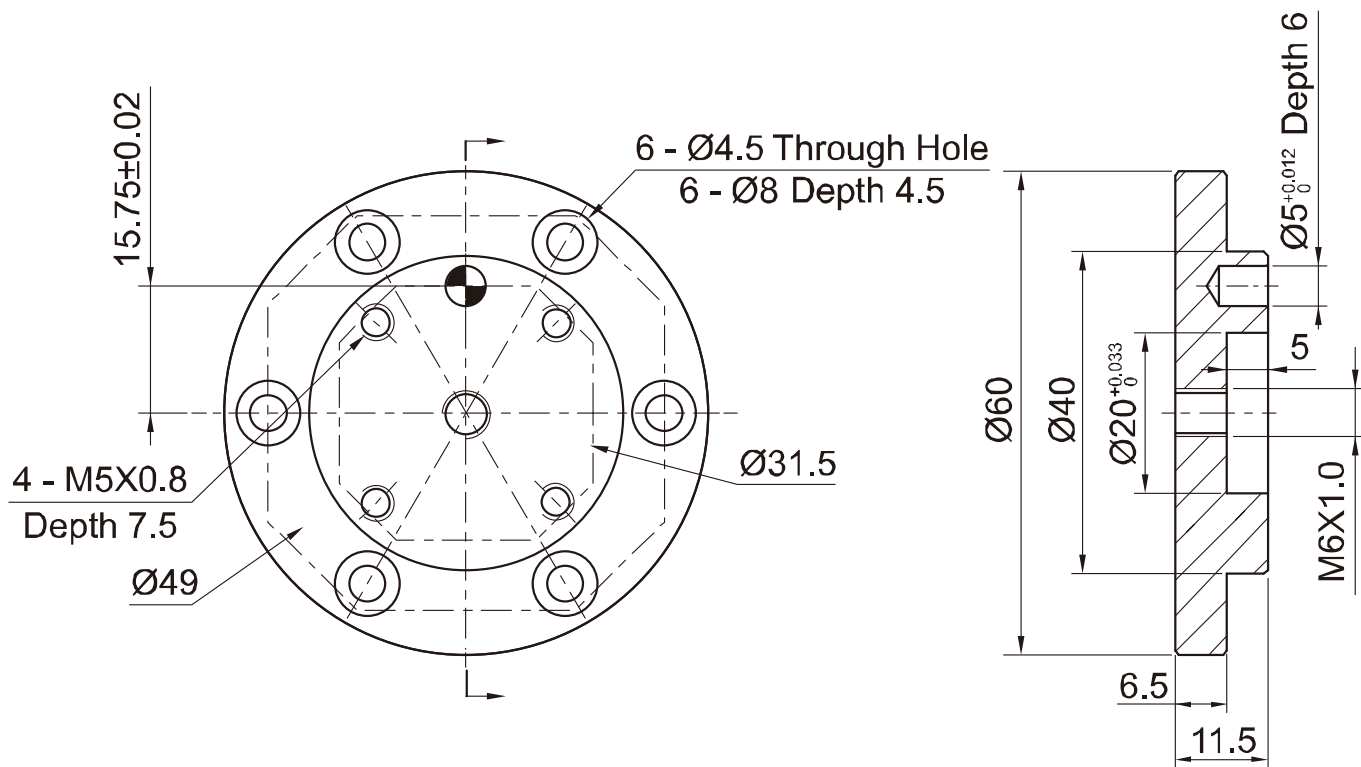


■ ADF50-4

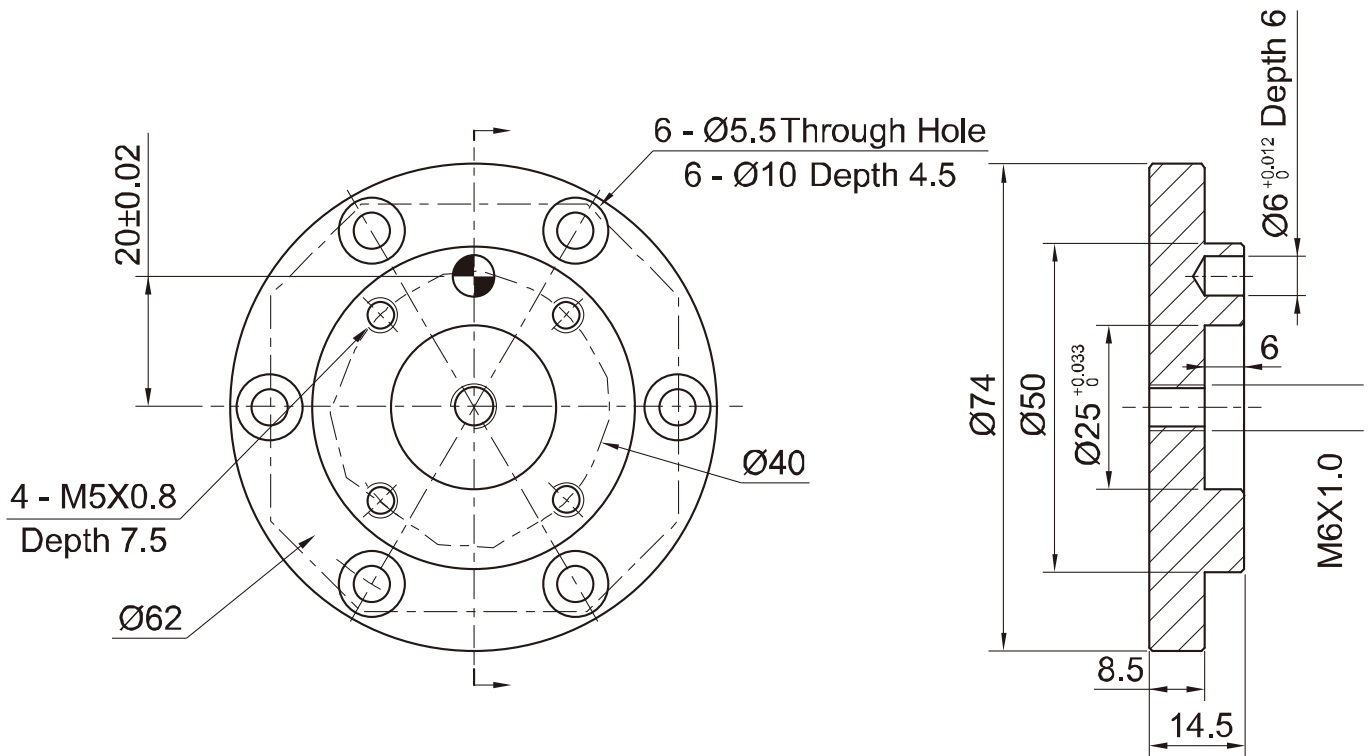


Flange Dimension (mm)

■ ADF31-M



■ ADF40-M



■ ADF50-M

