

ADQ2 series 2-Finger Round Body Air Gripper



Feature

- Wedge slider type
- Parallel grip
- Large output and good stability

Specification

Item	Bore size(mm)	Ø16	Ø20	Ø25	Ø32	Ø40	Ø50	Ø63	Ø80	Ø100		
Action		Double acting										
Fluid		Air										
Pressure range	kgf / cm ² (kPa)	3 ~ 7 (300 ~ 700)										
Ambient and fluid temperature	°C	0 ~ 60										
Repeatability	mm	±0.01										
Max. operating frequency	time/min	120			60				30			
Lubrication		Lubrication free type										
Gripping force	External grip	N	21	37	63	111	177	280	502	710	1068	
	Internal grip	N	23	42	71	123	195	306	537	748	1111	
Opening/ closing stroke	mm	4	4	6	8	8	12	16	20	24		
Port size	Side	M3X0.5P			M5X0.8P				PT1/8	PT1/4		
	Bottom	-			M5X0.8P				PT1/8			
Sensing device		With magnet										

Note: Gripping force is with pressure 5kgf / cm² and gripping point = 20 mm.

Product weight

Model	Weight (kg)
ADQ2 16	0.059
ADQ2 20	0.093
ADQ2 25	0.141
ADQ2 32	0.276
ADQ2 40	0.356
ADQ2 50	0.520
ADQ2 63	1.019
ADQ2 80	1.662
ADQ2 100	3.035

Note: All of above are theoretical data.
Weight tolerance about±5%

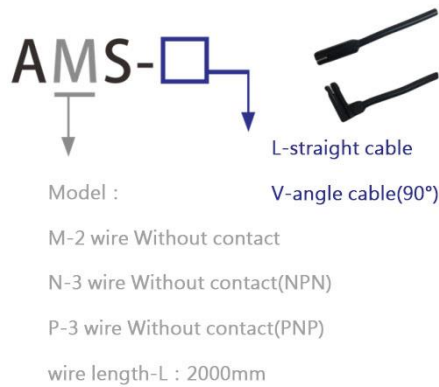
Code of order

ADQ2-16-AMS-L-2
① ② ③

①

Mark	Bore size(mm)
16	Ø16
20	Ø20
25	Ø25
32	Ø32
40	Ø40
50	Ø50
63	Ø63
80	Ø80
100	Ø100

②



③

Mark	Sensor quantity
1	With 1 sensor switch
2	With 2 sensor switches

Operating type and data

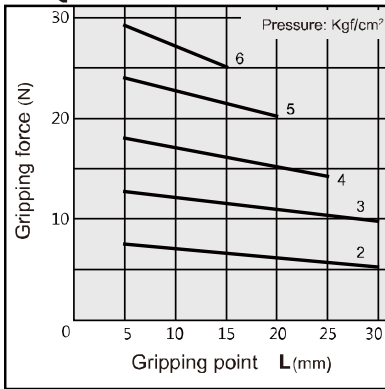
Model	The smallest operating pressure (kgf/cm ²)	Thread port (mm)	Effective gripping force (N)	
			Open	Close
ADQ2 16	2.2	4-M3x0.5Px4dp	Open	23
			Close	21
ADQ2 20	2.2	4-M3x0.5Px6dp	Open	42
			Close	37
ADQ2 25	2.2	4-M3x0.5Px6dp	Open	71
			Close	63
ADQ2 32	1.5	4-M4x0.7Px8dp	Open	123
			Close	111
ADQ2 40	1.5	4-M4x0.7Px9dp	Open	195
			Close	177
ADQ2 50	1.5	4-M5x0.8Px10dp	Open	306
			Close	280
ADQ2 63	1.5	4-M5x0.8Px10dp	Open	537
			Close	502
ADQ2 80	1.5	4-M6x1.0Px12dp	Open	748
			Close	710
ADQ2 100	1.5	4-M8x1.5Px16dp	Open	1111
			Close	1068

Note: The gripping force is the force of open and close gripper which in the length of gripping point is 20mm and acting pressure is 5 kgf/cm².

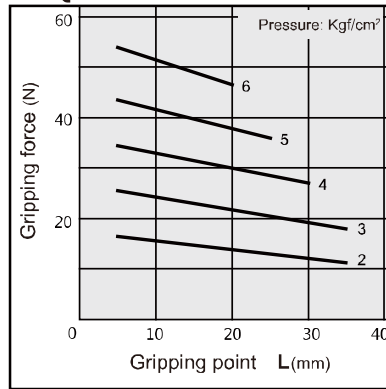
Characteristics graph

External grip

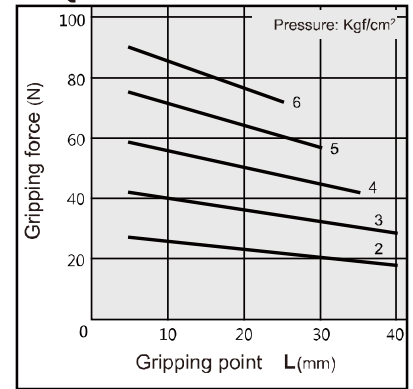
ADQ2 16



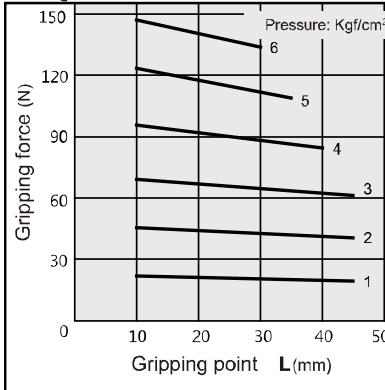
ADQ2 20



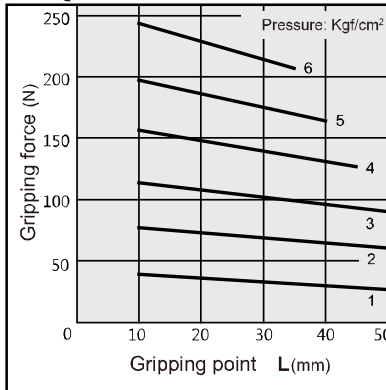
ADQ2 25



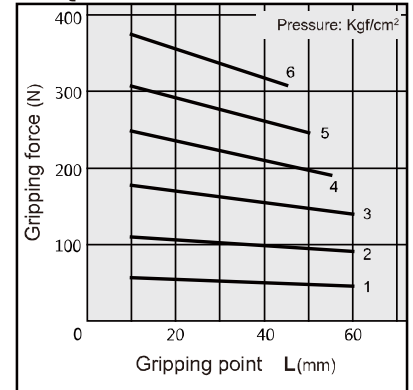
ADQ2 32



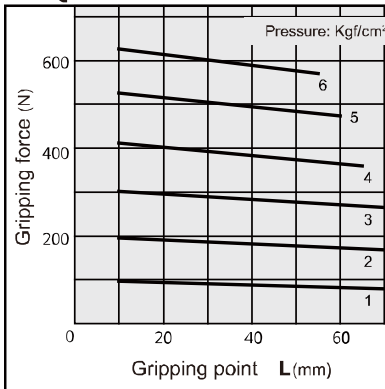
ADQ2 40



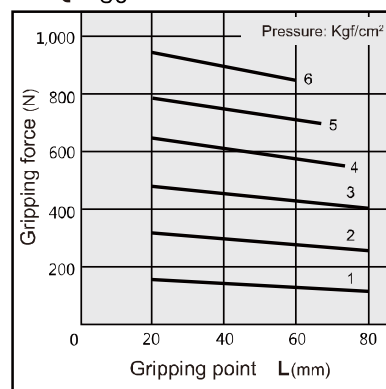
ADQ2 50



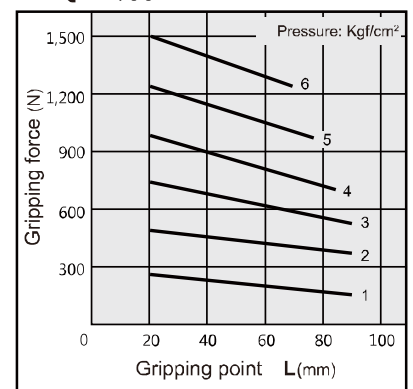
ADQ2 63



ADQ2 80

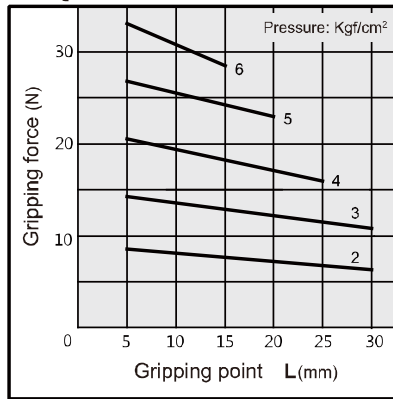


ADQ2 100

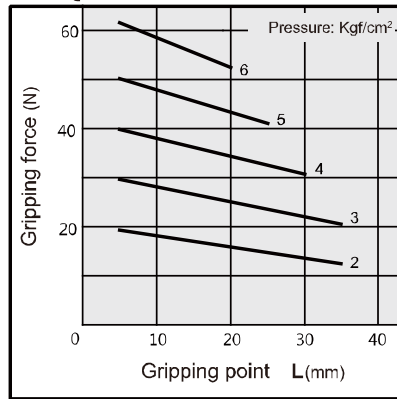


Internal grip

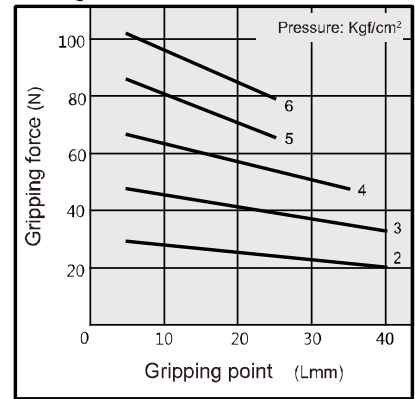
ADQ2 16



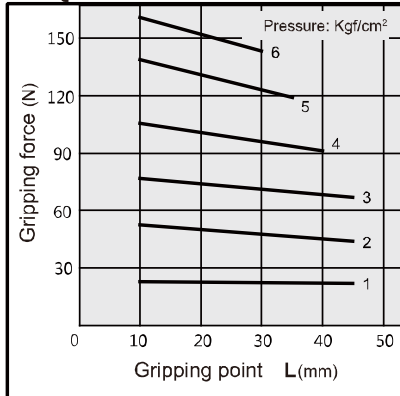
ADQ2 20



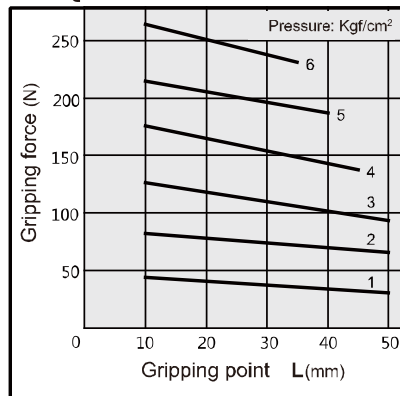
ADQ2 25



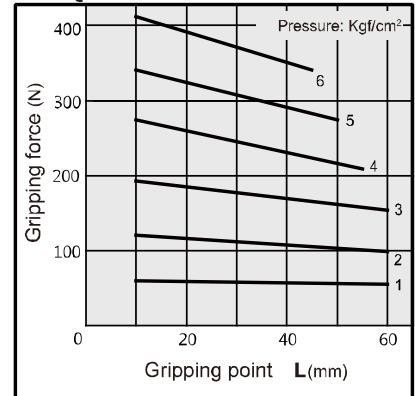
ADQ2 32



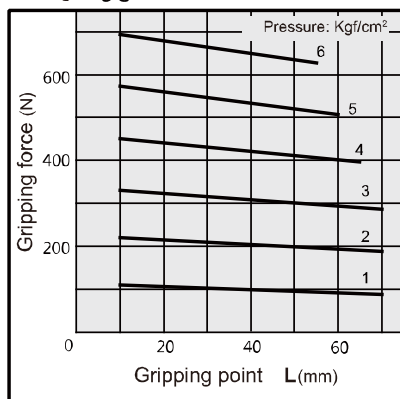
ADQ2 40



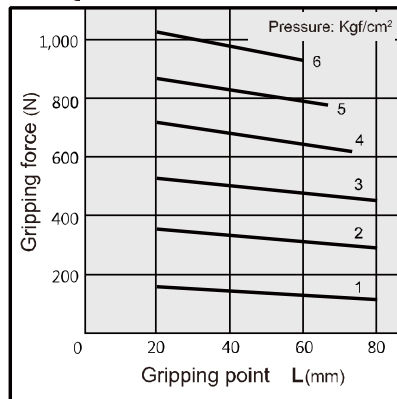
ADQ2 50



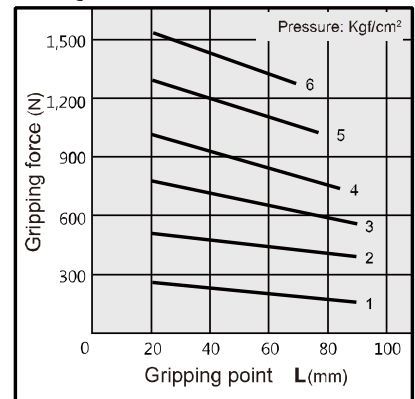
ADQ2 63



ADQ2 80

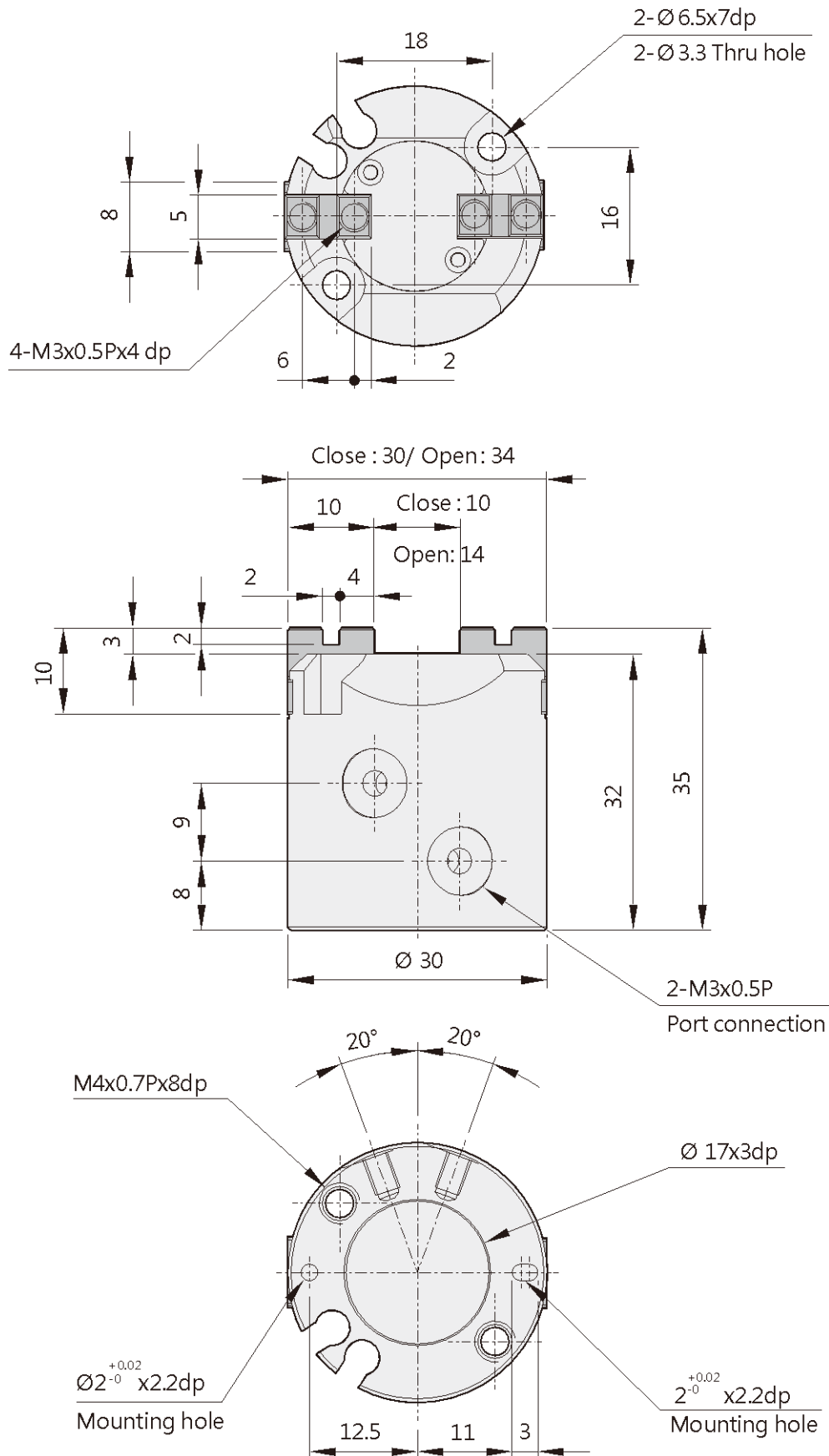


ADQ2 100

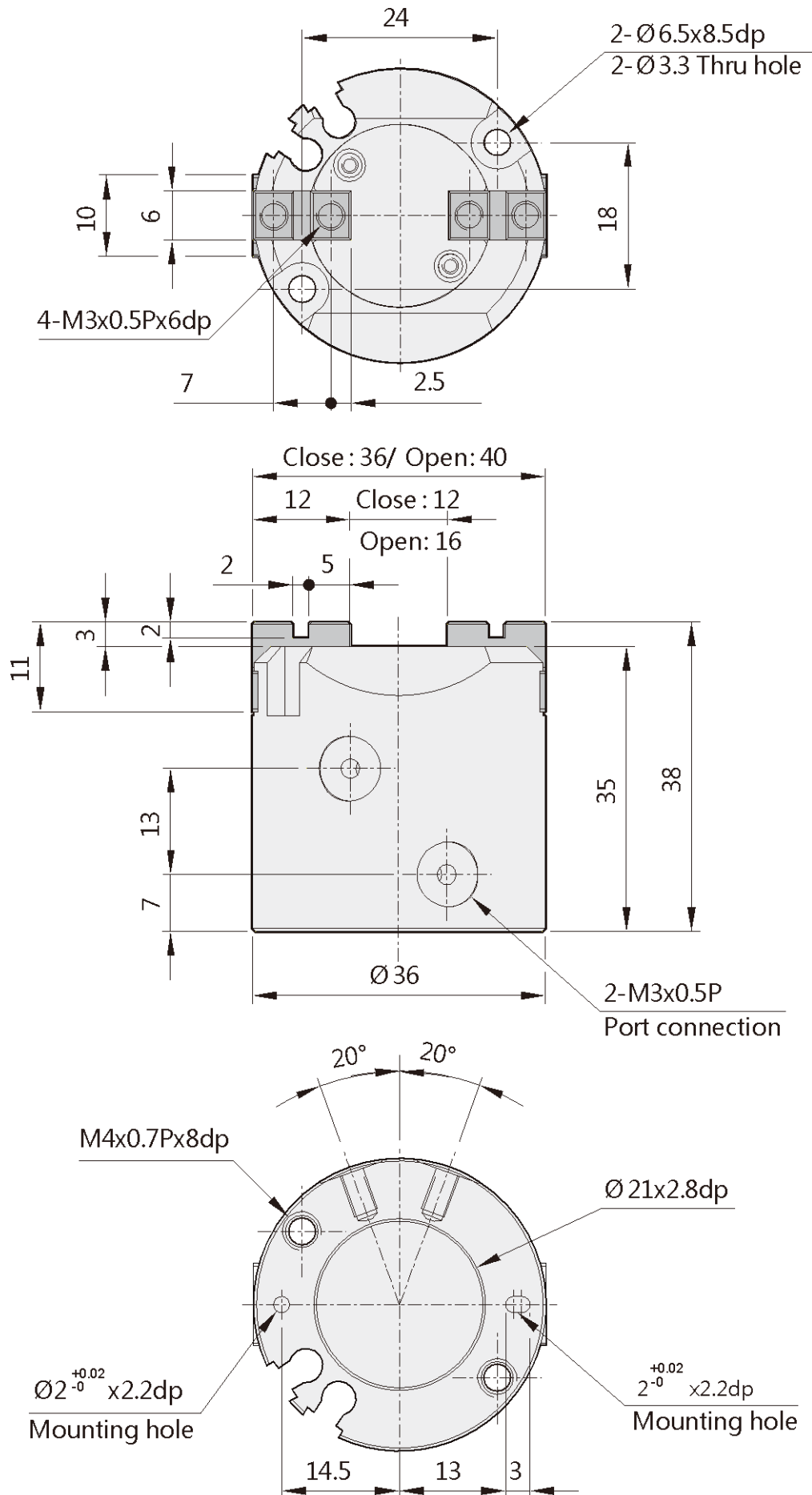


Dimensions

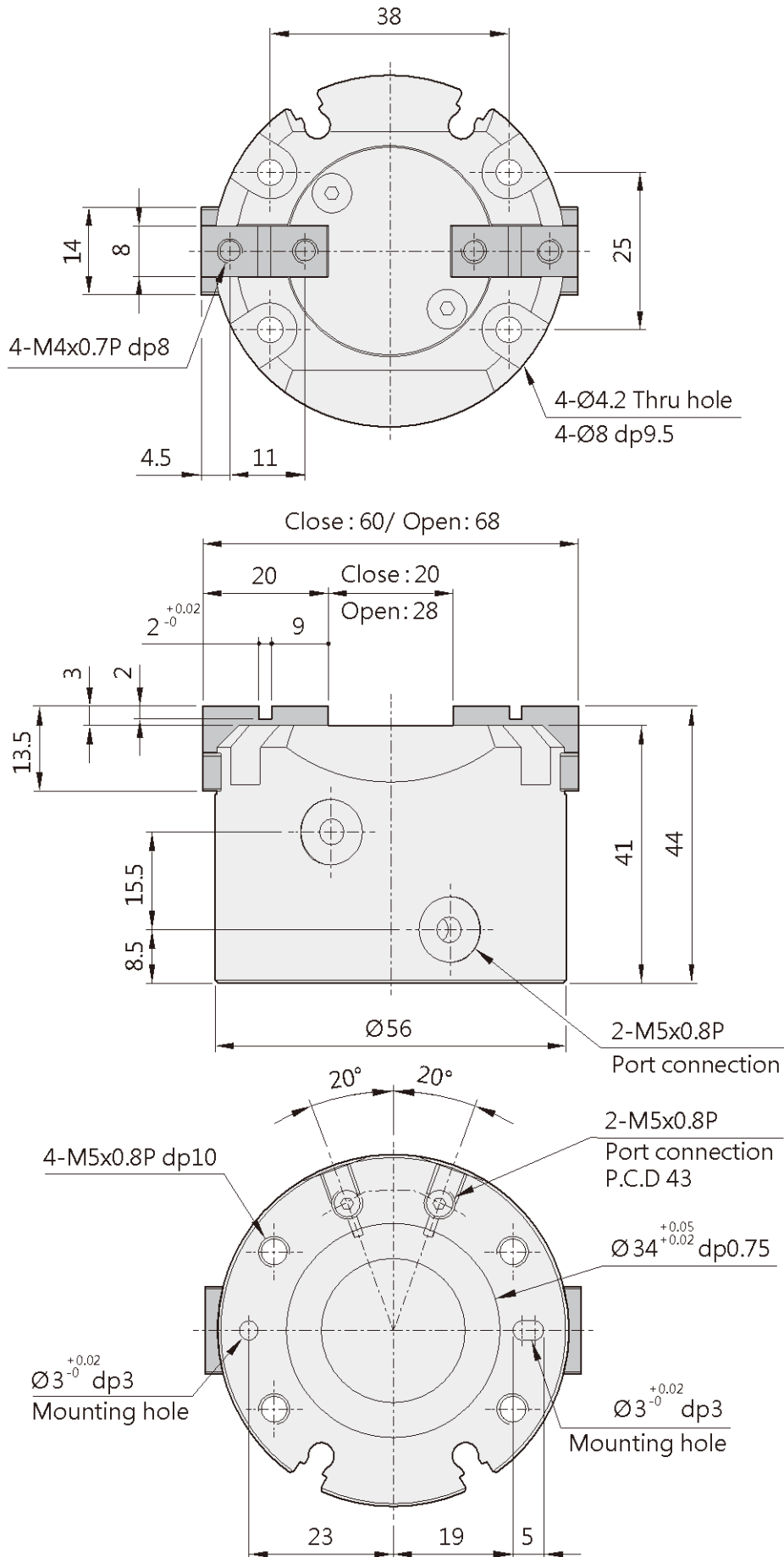
■ ADQ2-16



■ ADQ2-20

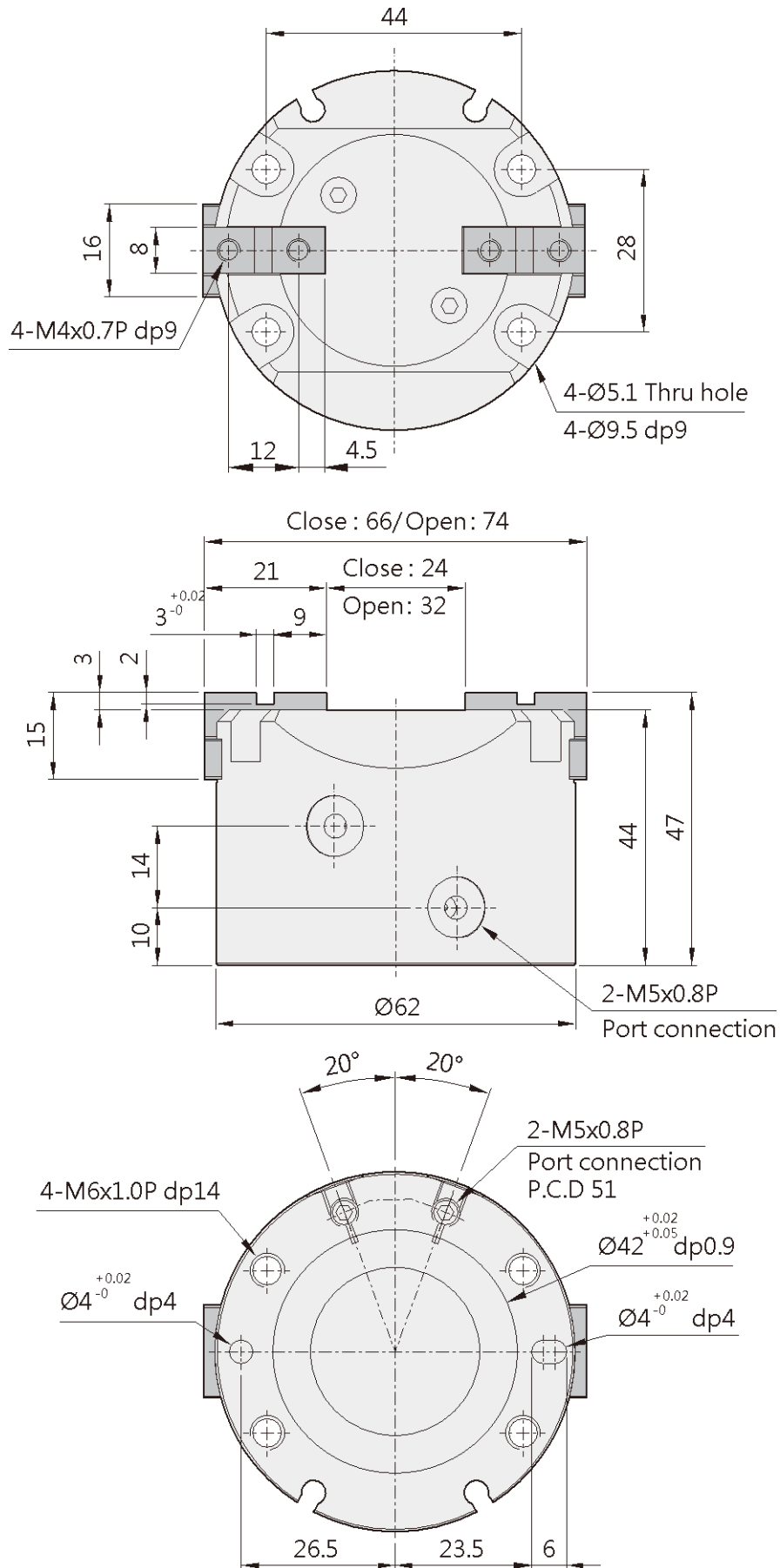


ADQ2-32



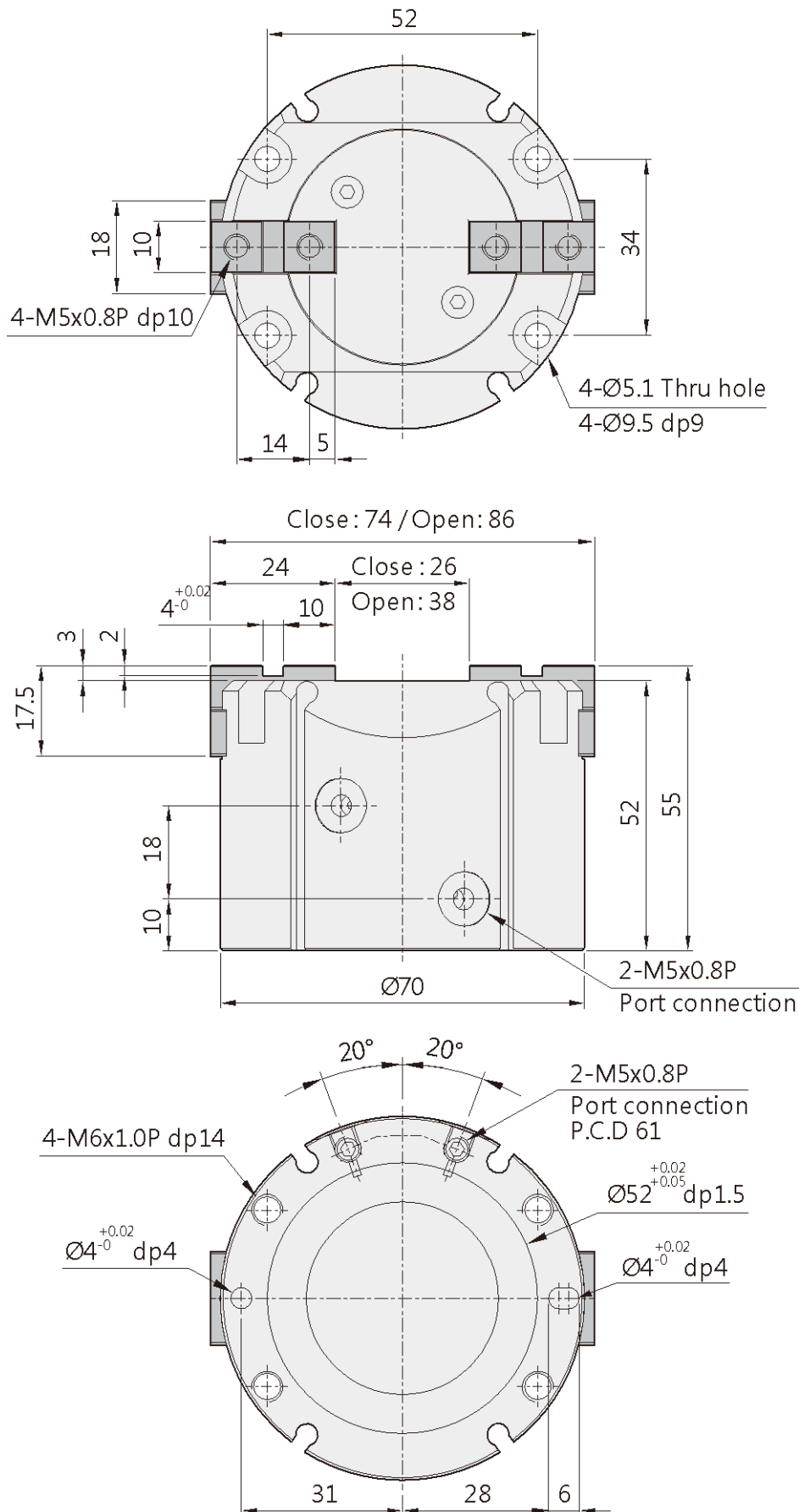


■ ADQ2-40



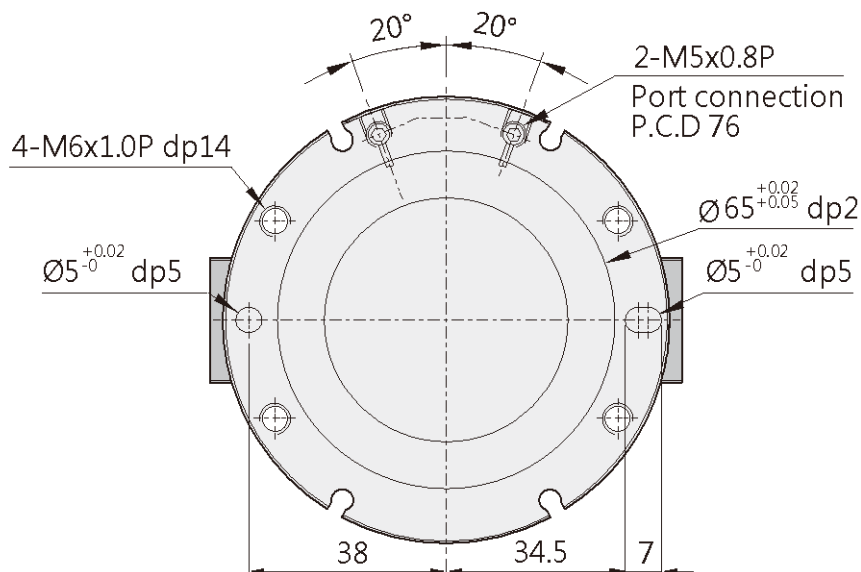
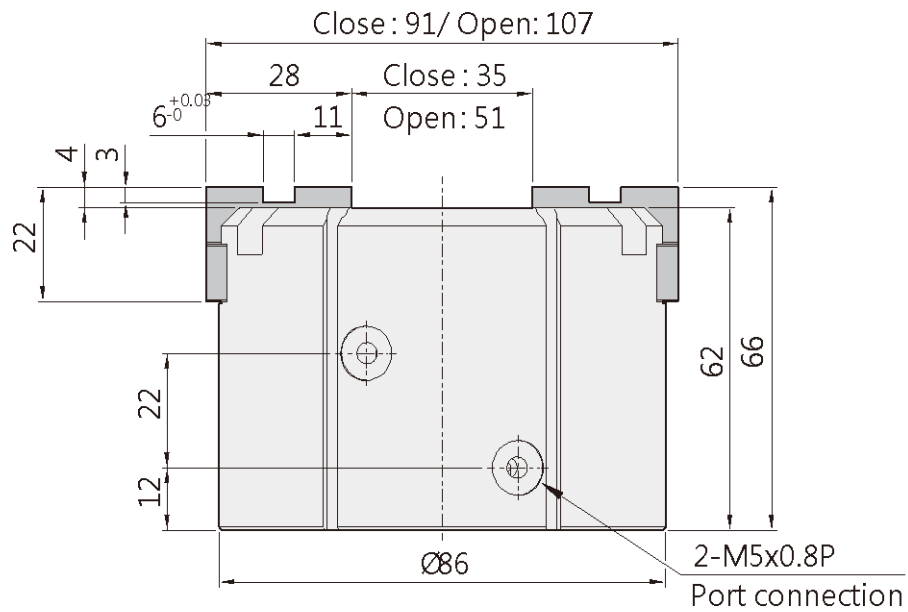
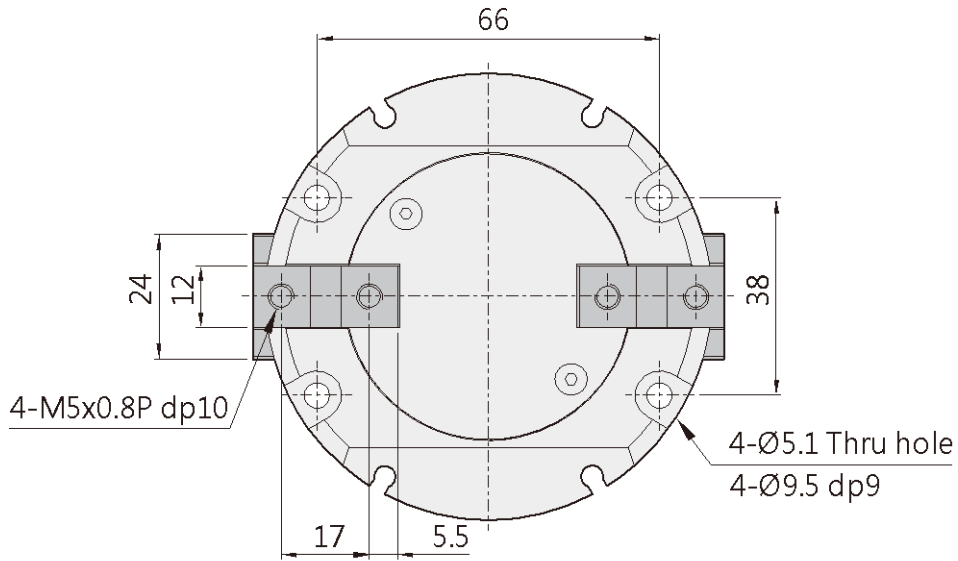


■ ADQ2-50

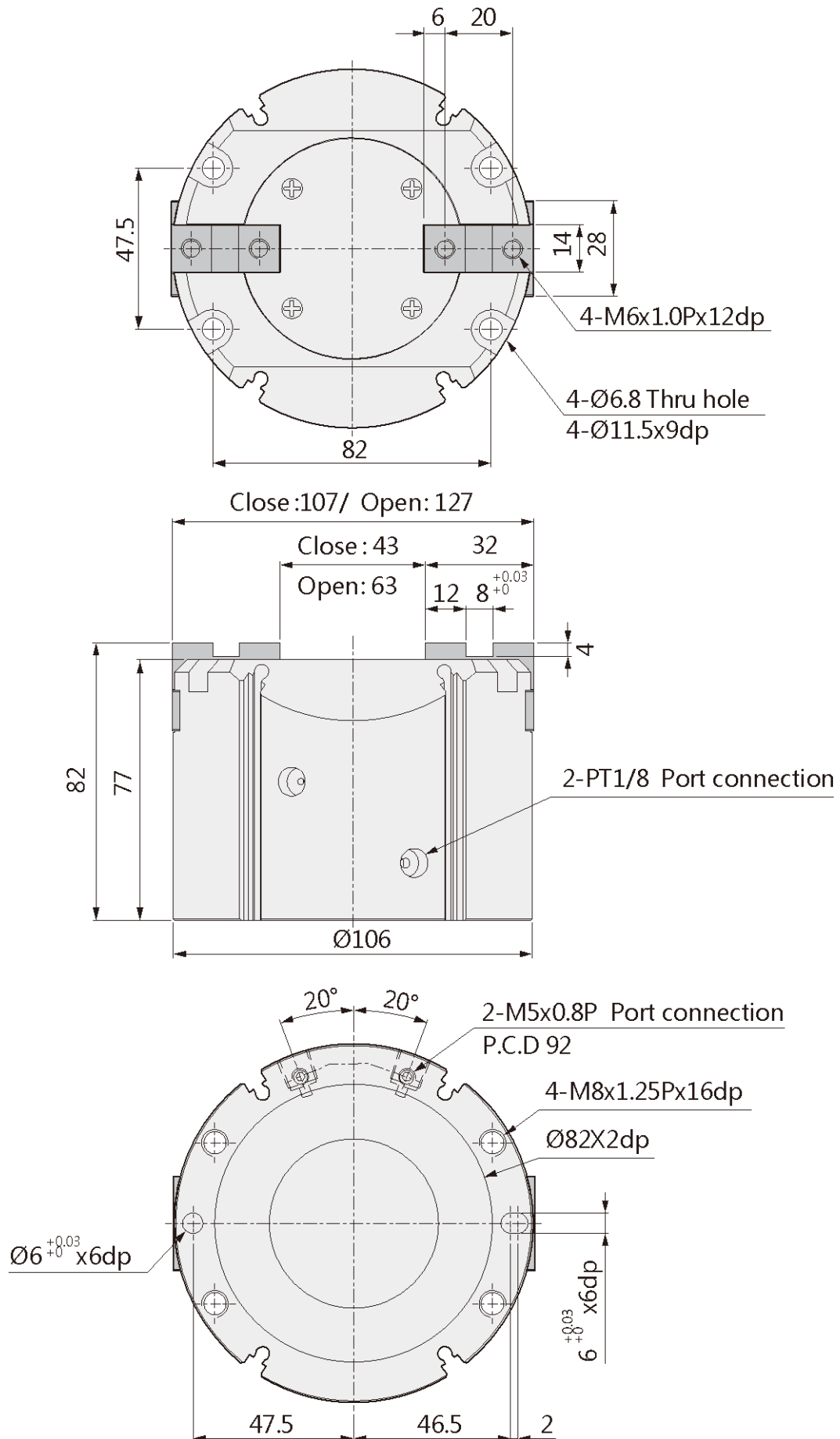




ADQ2-63



■ ADQ2-80



■ ADQ2-100

