

ADQ3 series

3-Finger Round Body

Air Gripper



Feature

- Wedge slider type
- 3 finger centre gripping
- Large output and good stability

Specification

Item	Bore size(mm)	Ø16	Ø20	Ø25	Ø32	Ø40	Ø50	Ø63	Ø80	Ø100	
Action		Double acting									
Fluid		Air									
Pressure range	kgf / cm ² (kPa)	3 ~ 7 (300 ~700)									
Ambient and fluid temperature	°C	0 ~ 60									
Repeatability	mm	±0.01									
Max. operating frequency	time/min	120			60			30			
Lubrication		Lubrication free type									
Gripping force	External grip	N	14	25	30	70	131	282	446	578	946
	Internal grip	N	16	28	35	82	149	314	496	641	1009
Opening/ closing stroke	mm	4	4	6	8	8	12	16	20	24	
Port size	Side		M3X0.5P			M5X0.8P				PT1/8	PT1/4
	Bottom		-			M5X0.8P					PT1/8
Sensing device		With magnet									

Note: Gripping force is with pressure 5kgf / cm² and gripping point = 20 mm.

Product weight

Model	Weight (kg)
ADQ3 16	0.060
ADQ3 20	0.098
ADQ3 25	0.146
ADQ3 32	0.295
ADQ3 40	0.378
ADQ3 50	0.561
ADQ3 63	1.032
ADQ3 80	1.768
ADQ3 100	3.224

Note: All of above are theoretical data.
Weight tolerance about±5%

Code of order

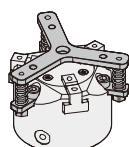
ADQ3-25-P-AMS-L-2

① ② ③ ④

①

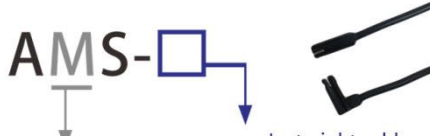
Mark	Bore size(mm)
16	Ø16
20	Ø20
25	Ø25
32	Ø32
40	Ø40
50	Ø50
63	Ø63
80	Ø80
100	Ø100

②

Mark	Ejector module	Applicable Type
None	without ejector module	—
P		25, 32, 40, 50, 63, 80, 100

③

AMS-□



Model :
 M-2 wire Without contact
 N-3 wire Without contact(NPN)
 P-3 wire Without contact(PNP)
 wire length-L : 2000mm

L-straight cable
 V-angle cable(90°)

④

Mark	Sensor quantity
1	With 1 sensor switch
2	With 2 sensor switches

Operating type and data

Model	The smallest operating pressure (kgf/cm ²)	Thread port (mm)	Effective gripping force (N)	
			Open	Close
ADQ3 16	2.2	4-M3x0.5Px4dp	Open	16
			Close	14
ADQ3 20	2.2	4-M3x0.5Px6dp	Open	28
			Close	25
ADQ3 25	2.2	4-M3x0.5Px6dp	Open	35
			Close	30
ADQ3 32	1.5	4-M4x0.7Px8dp	Open	82
			Close	70
ADQ3 40	1.5	4-M4x0.7Px9dp	Open	149
			Close	131
ADQ3 50	1.5	4-M5x0.8Px10dp	Open	314
			Close	282
ADQ3 63	1.5	4-M5x0.8Px10dp	Open	496
			Close	446
ADQ3 80	1.5	4-M6x1.0Px12dp	Open	641
			Close	578
ADQ3 100	1.5	4-M8x1.5Px16dp	Open	1009
			Close	946

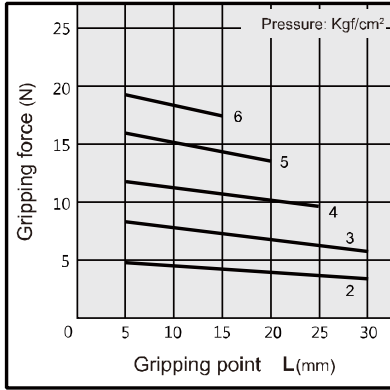
Note: The gripping force is the force of open and close gripper which in the length of gripping point is 20mm and acting pressure is 5 kgf/cm².



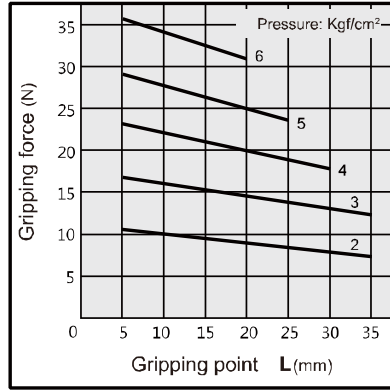
Characteristics graph

External grip

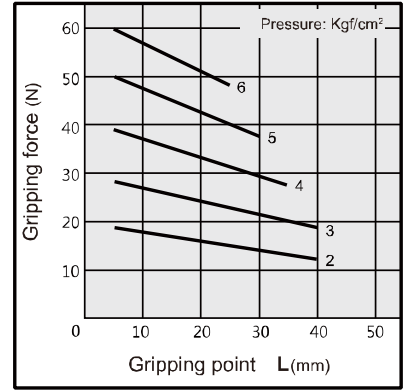
AQD3-16



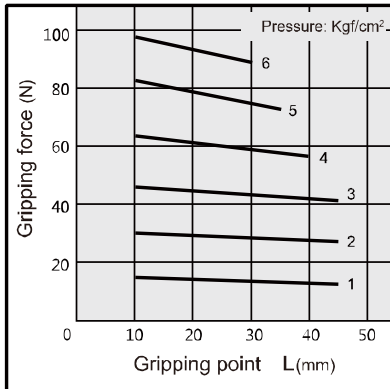
AQD3-20



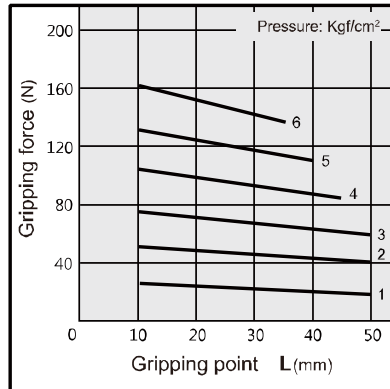
AQD3-25



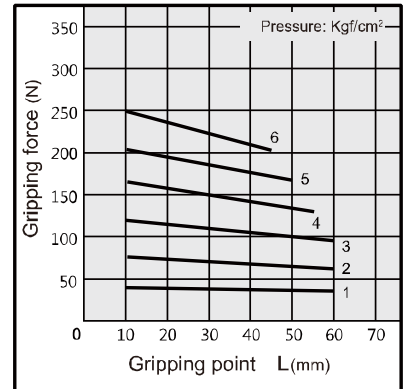
AQD3-32



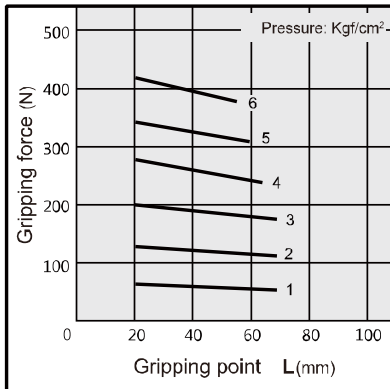
AQD3-40



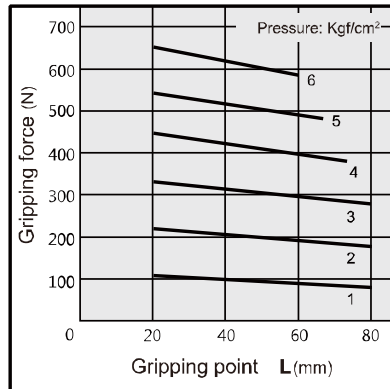
AQD3-50



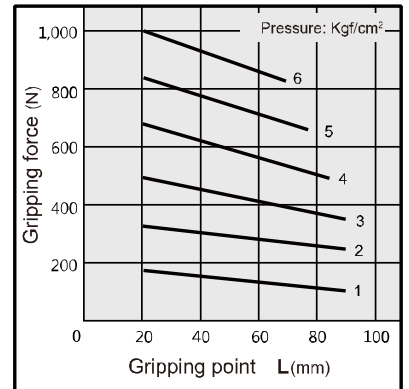
AQD3-63



AQD3-80

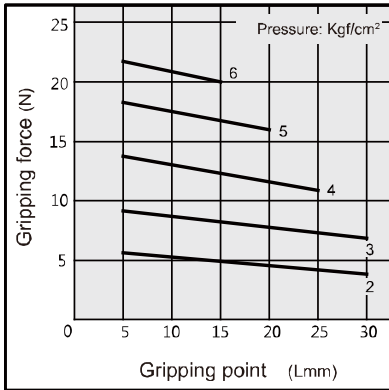


AQD3-100

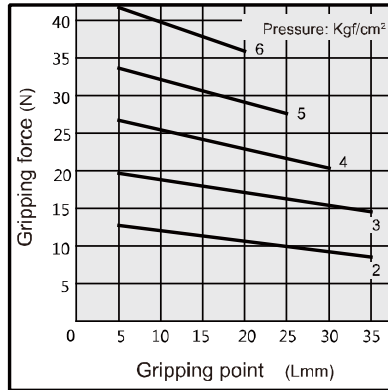


Internal grip

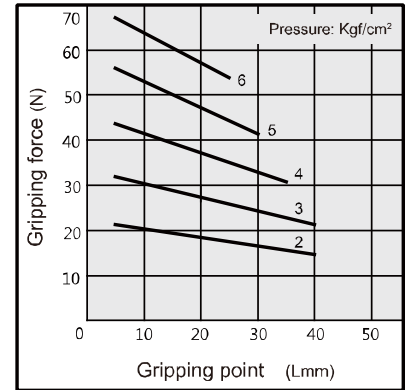
AQD3-16



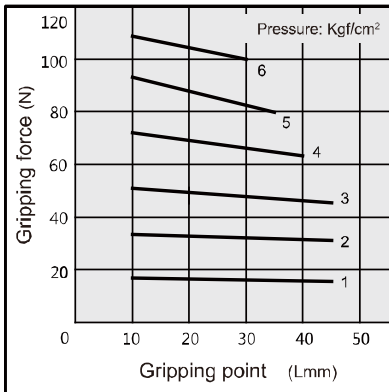
AQD3-20



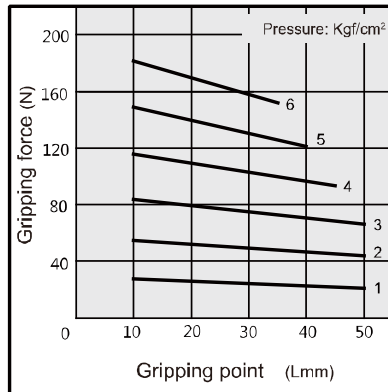
AQD3-25



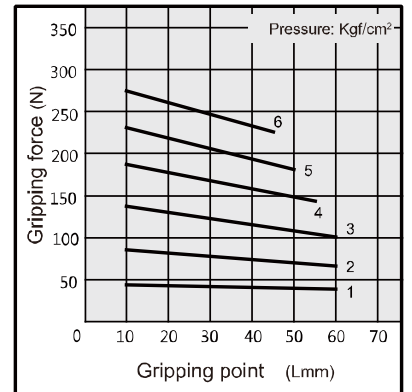
AQD3-32



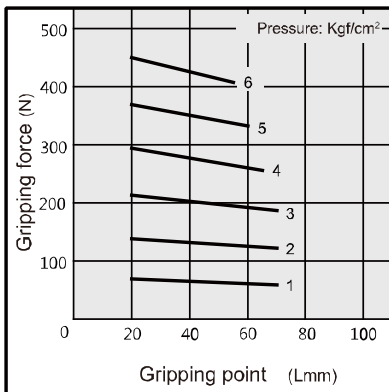
AQD3-40



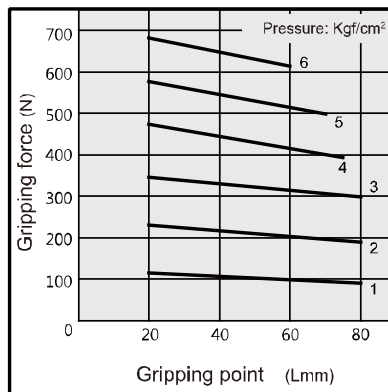
AQD3-50



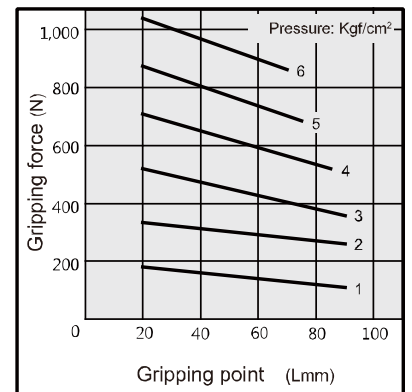
AQD3-63



AQD3-80

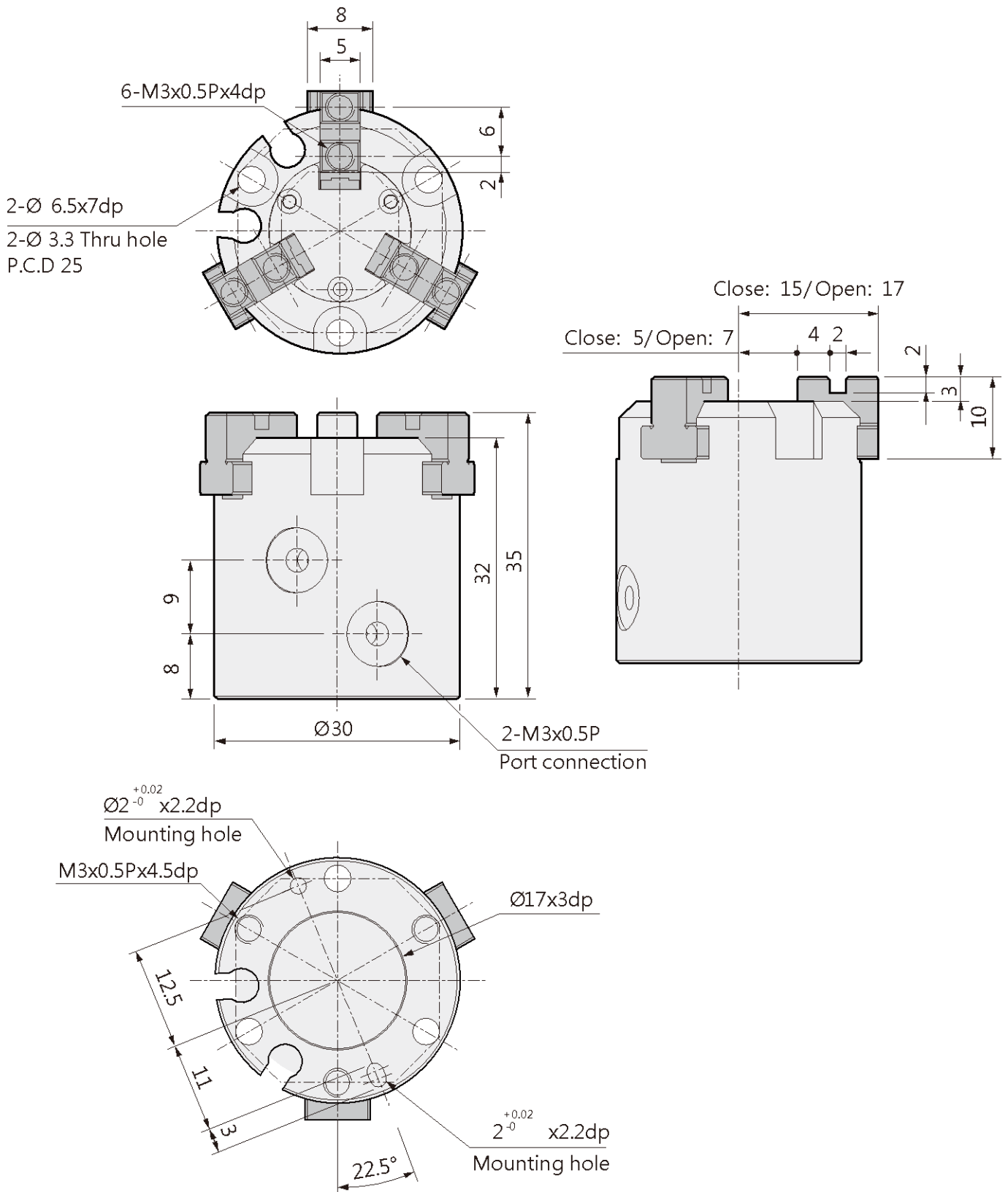


AQD3-100

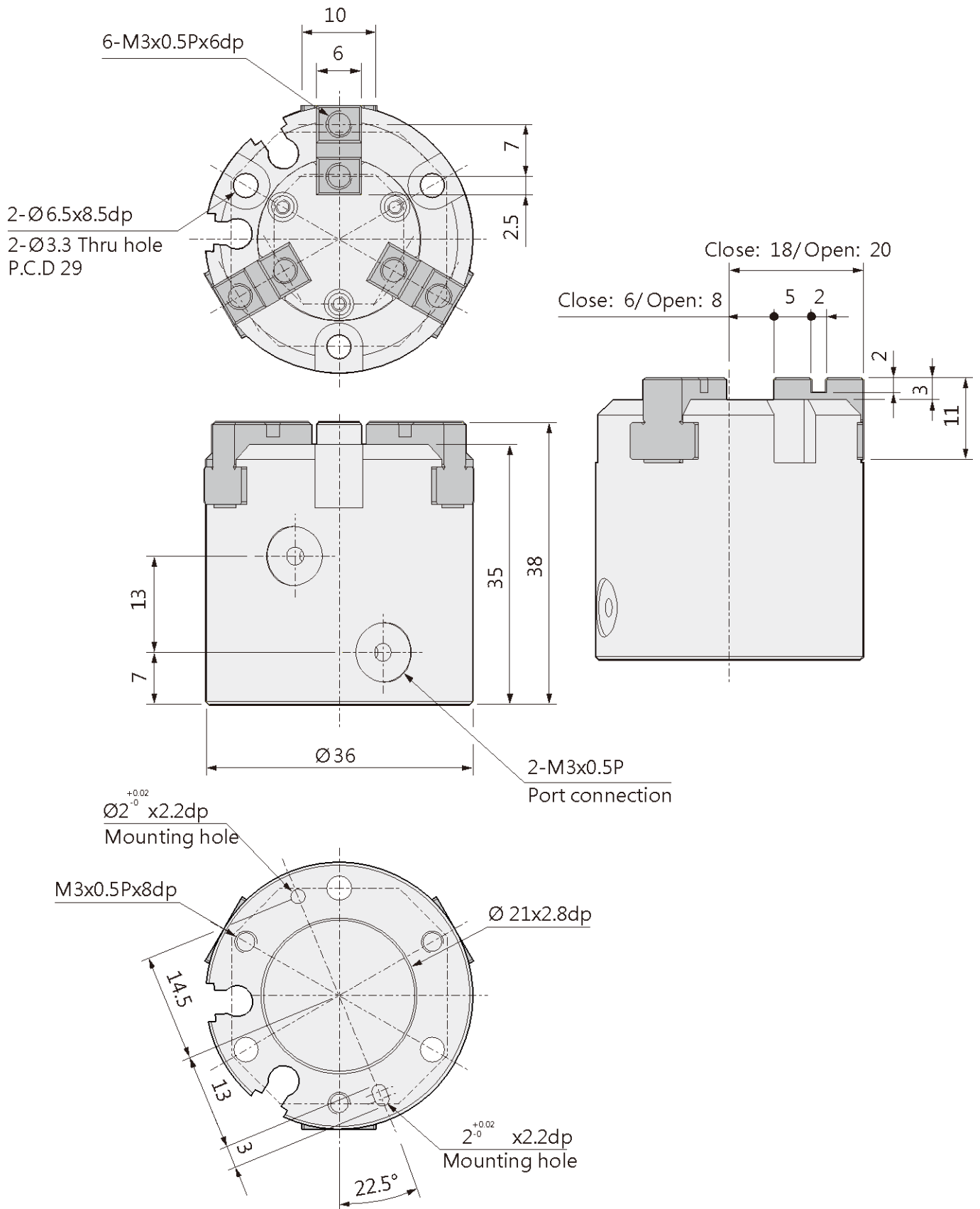


Dimensions

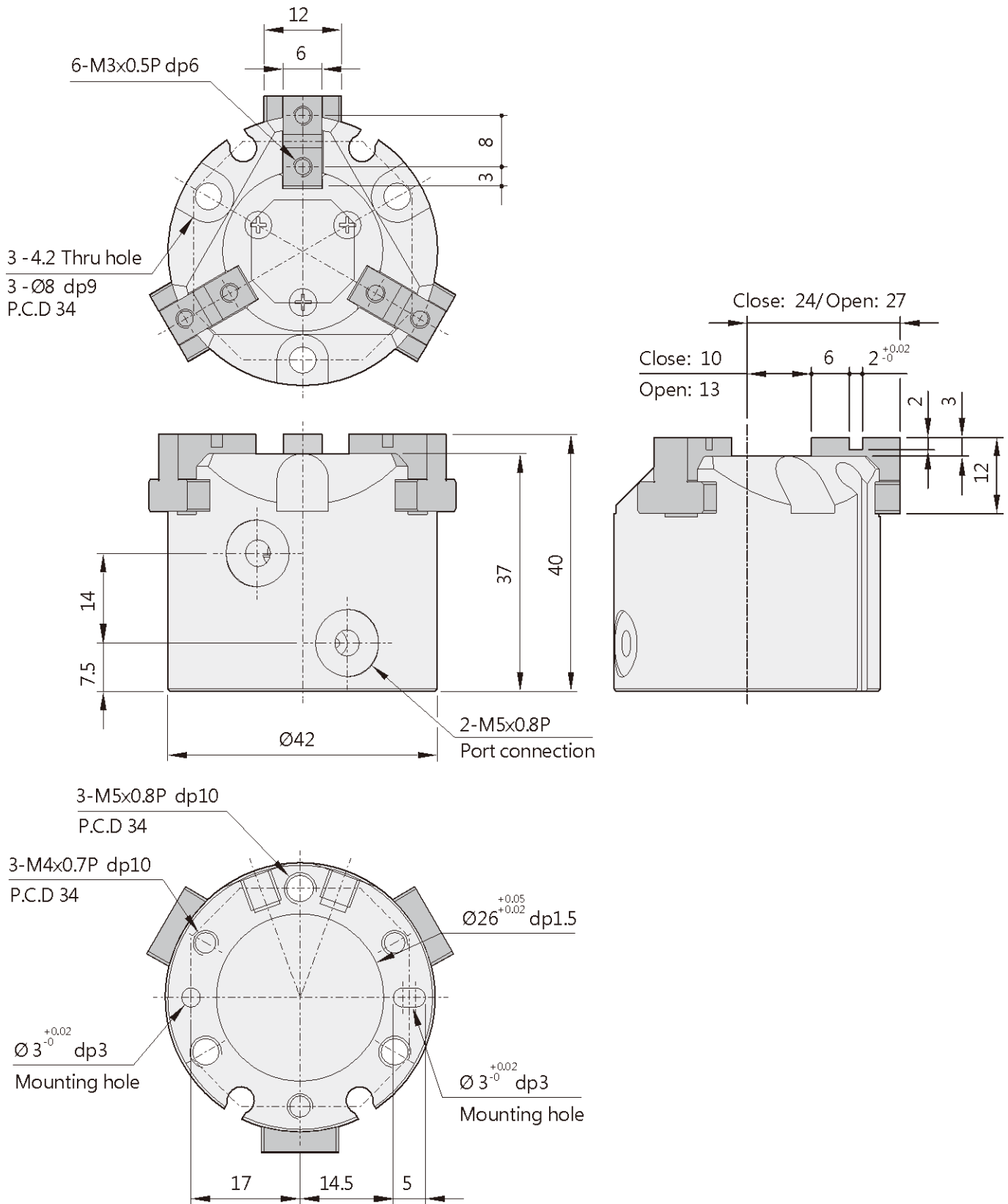
ADQ3-16



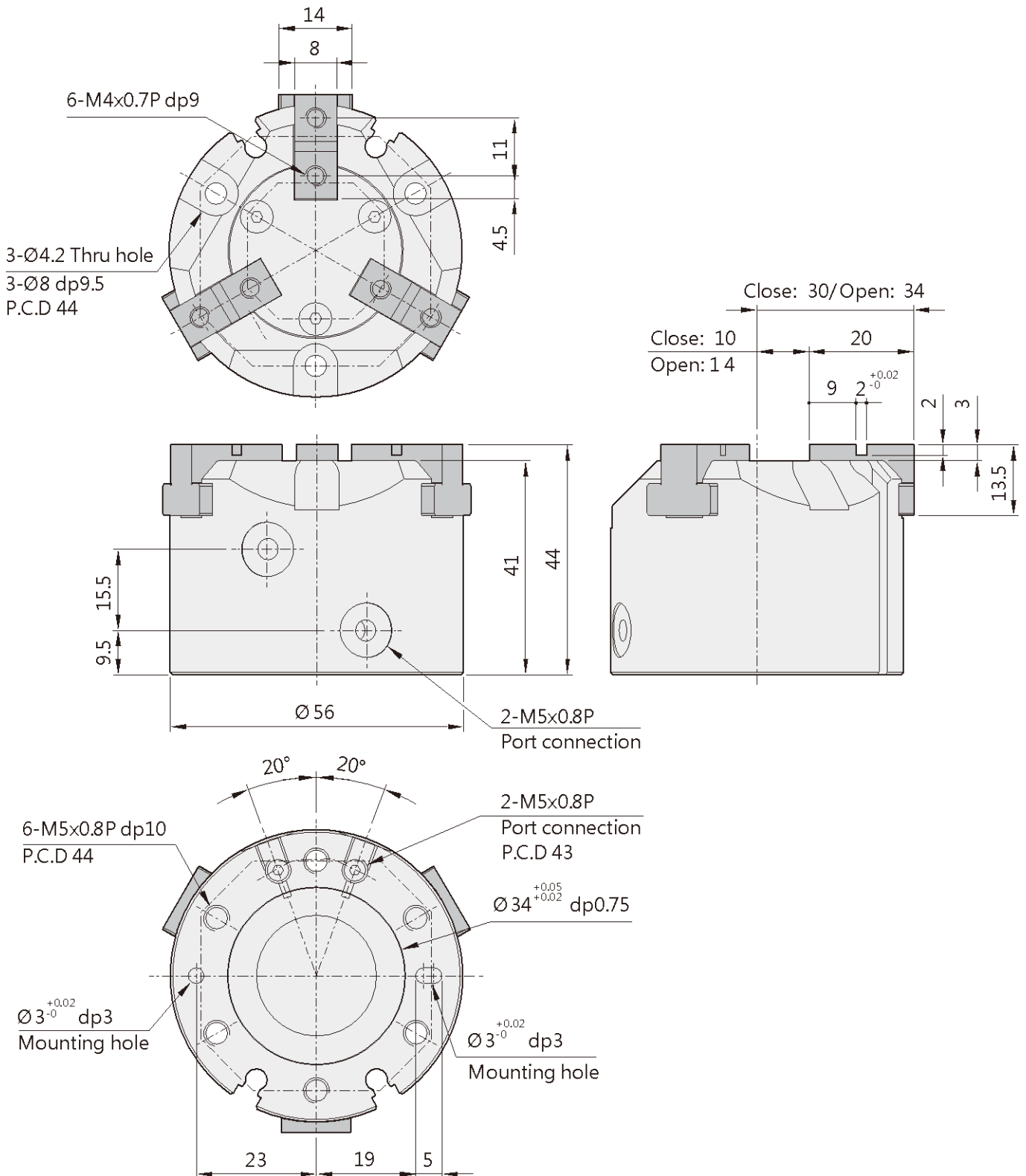
ADQ3-20



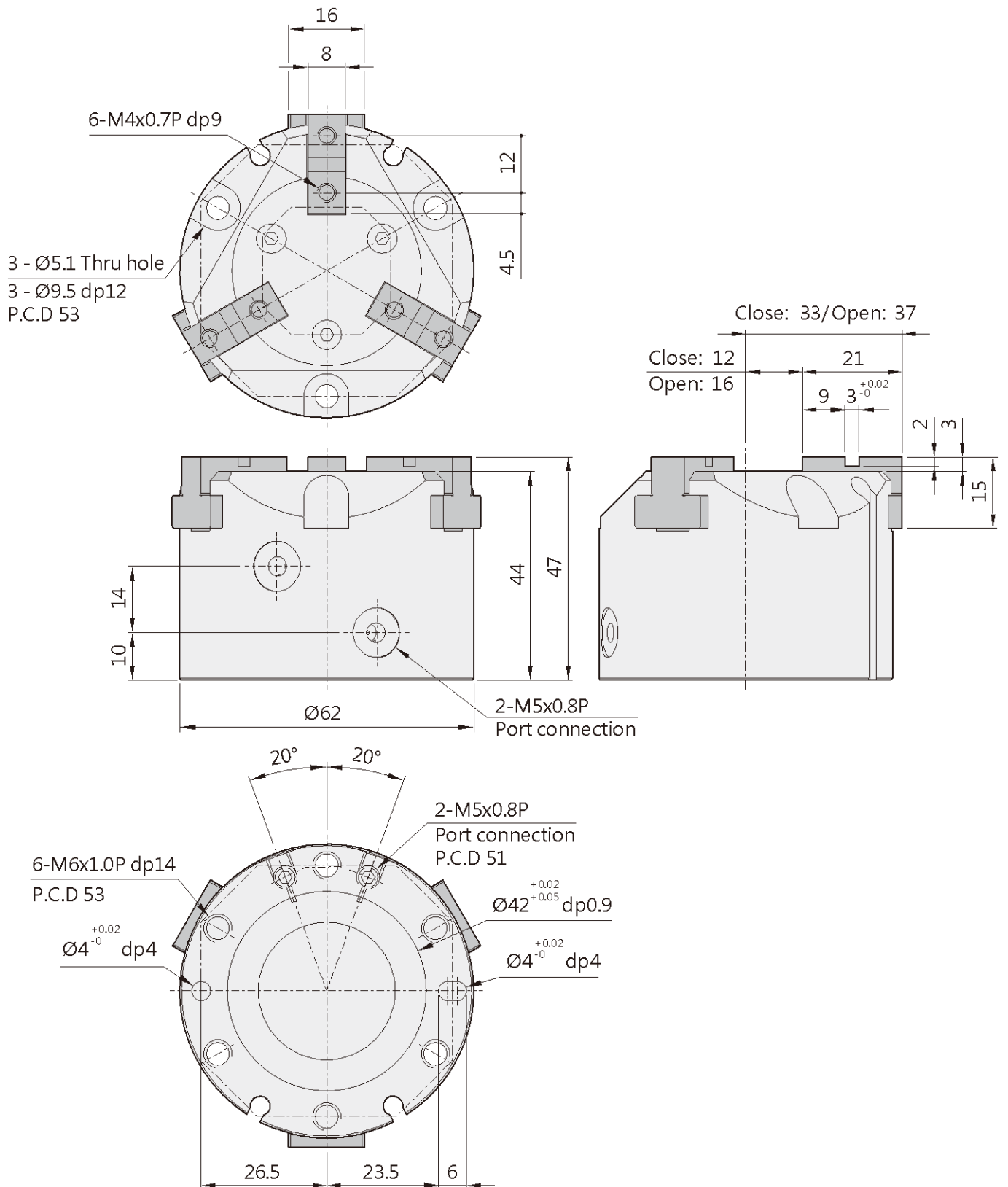
ADQ3-25



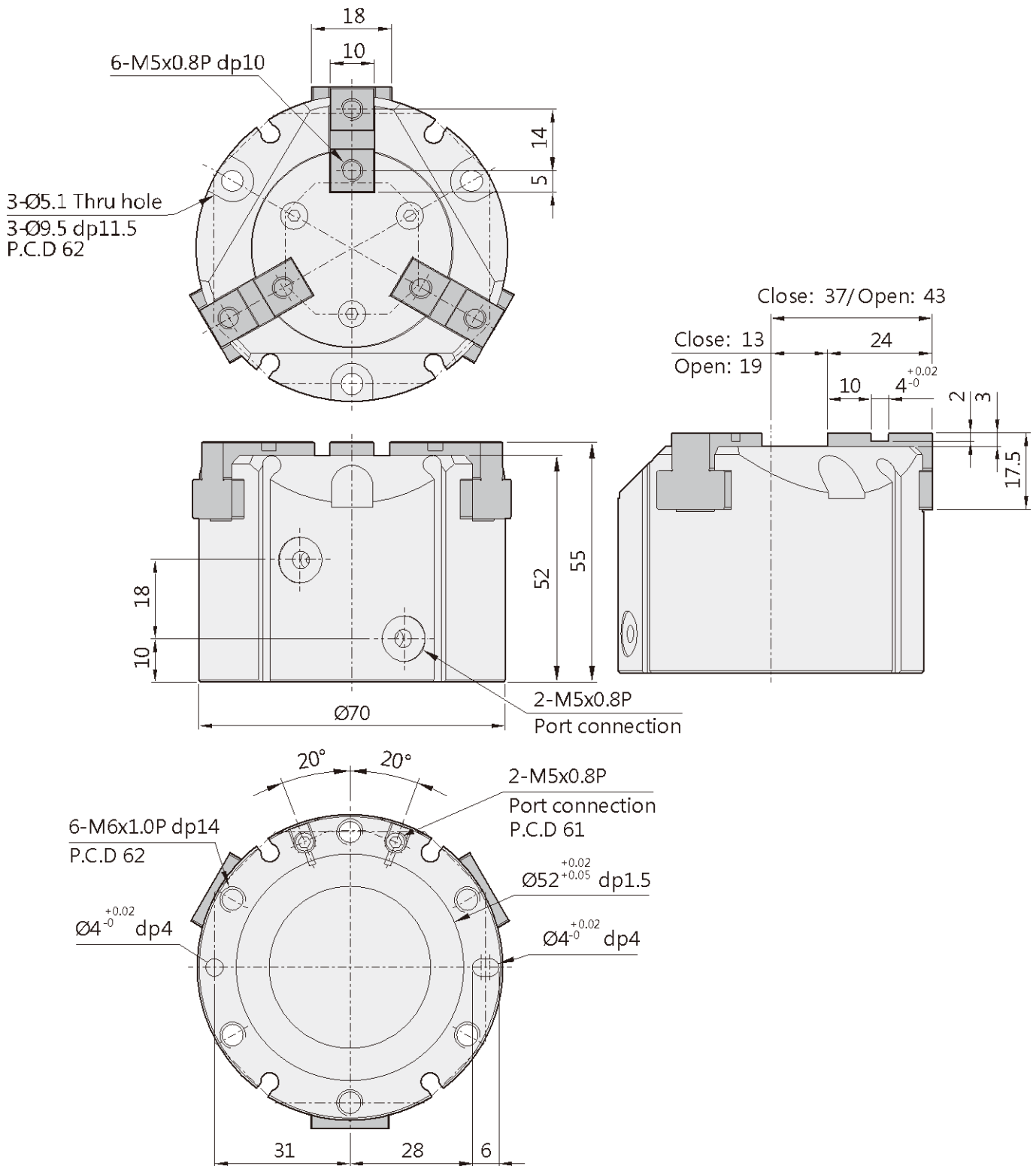
ADQ3-32



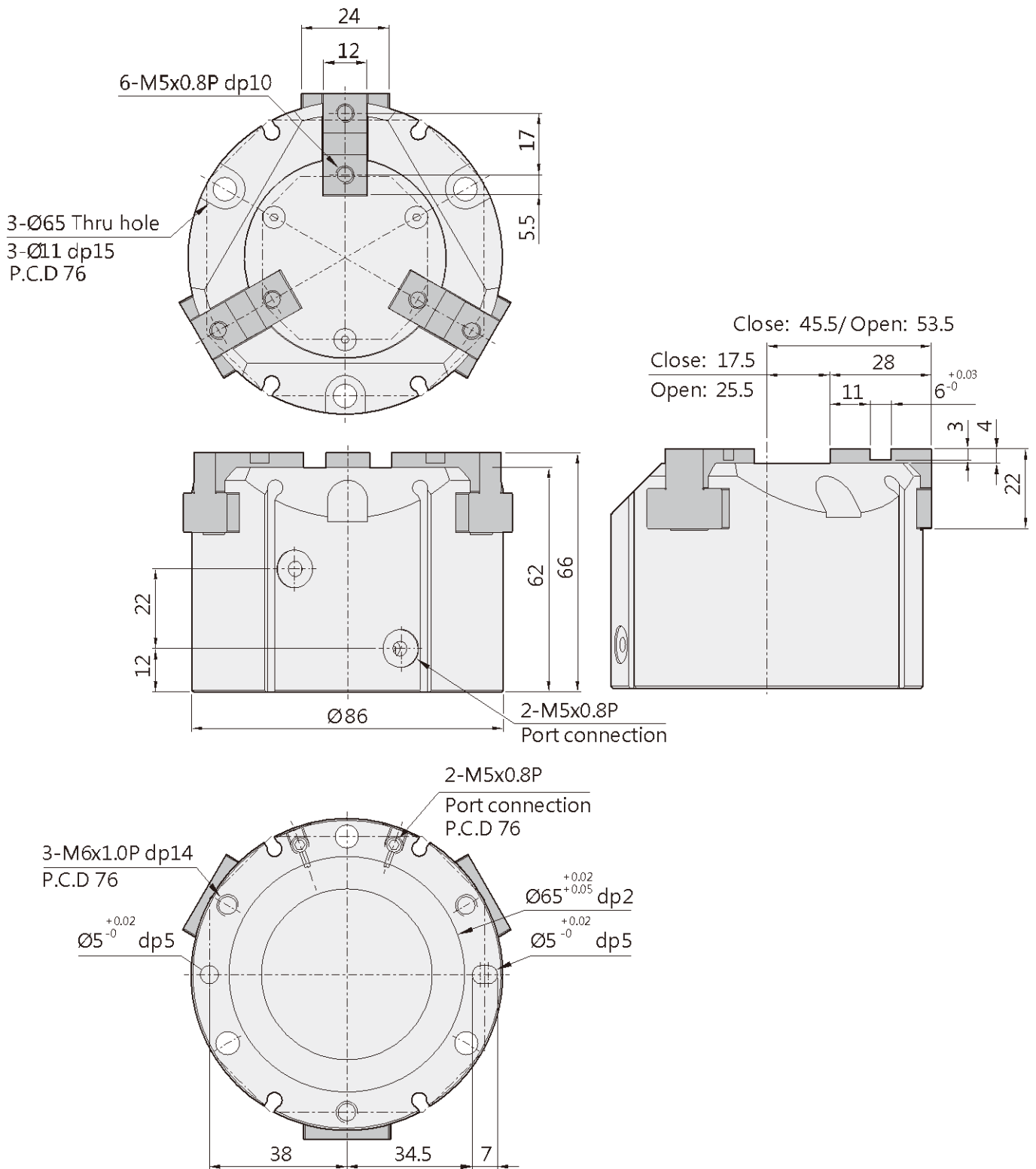
ADQ3-40



ADQ3-50

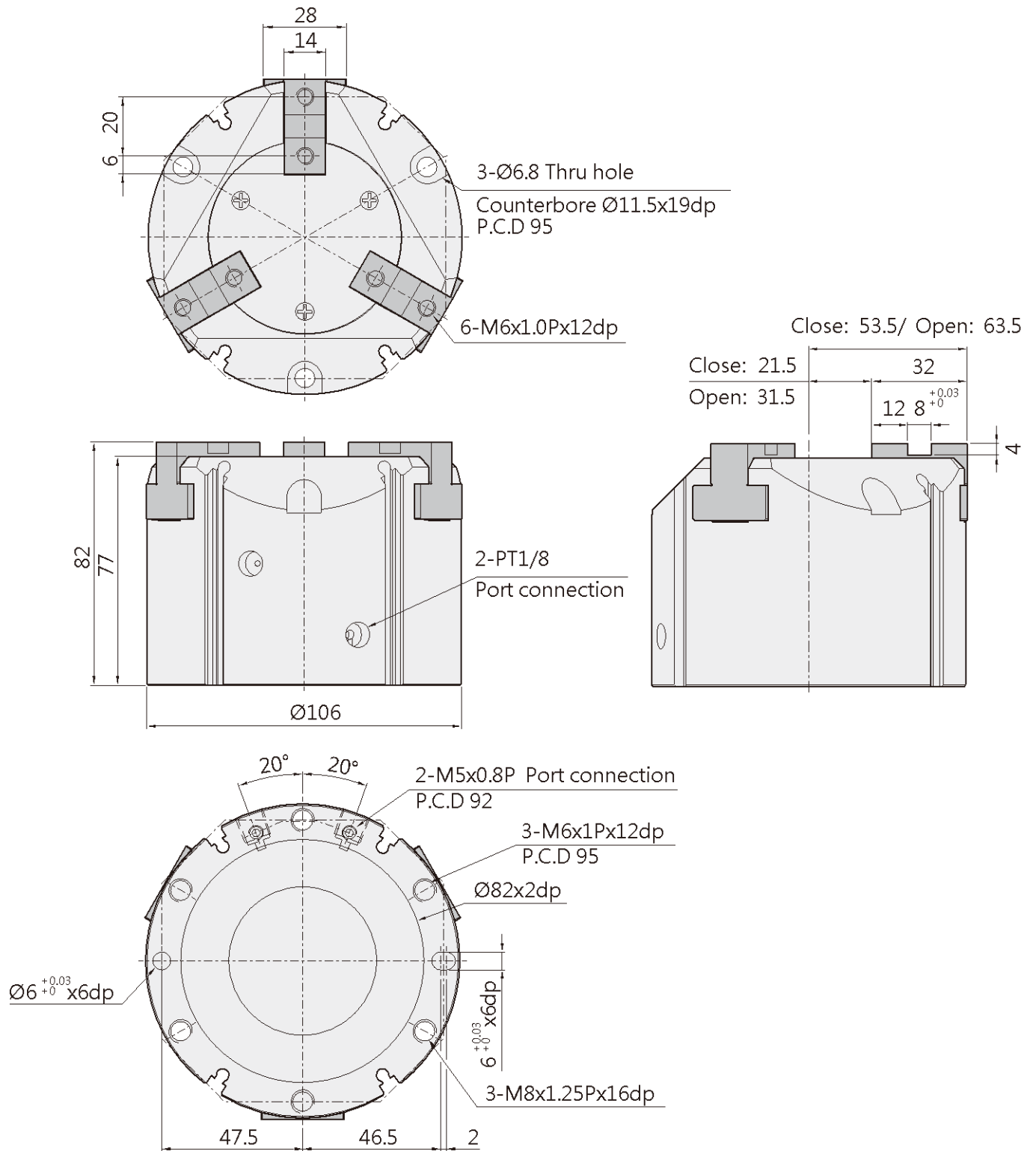


ADQ3-63

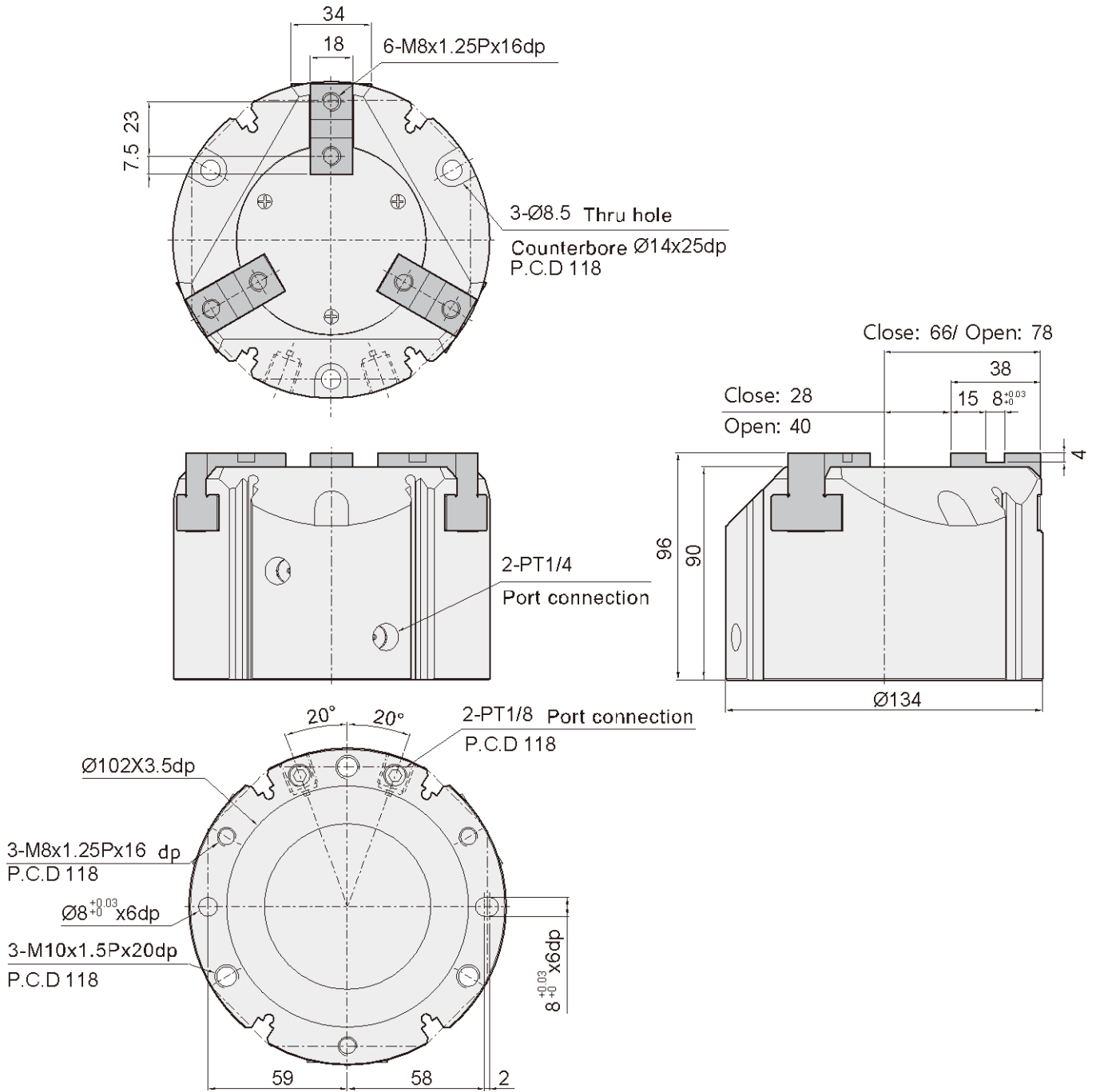




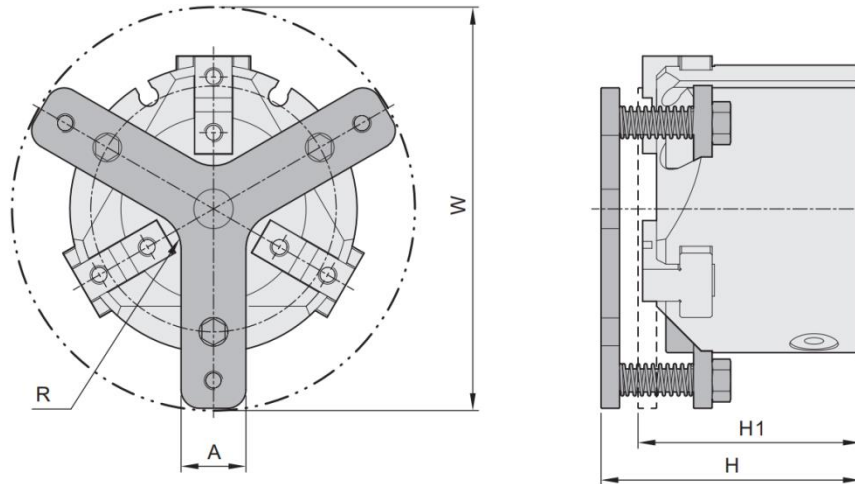
ADQ3-80



ADQ3-100



■ SPRING EJECTUR DEVICE



Unit: mm

Item \ Model	ADQ3 25-P	ADQ3 32-P	ADQ3 40-P	ADQ3 50-P	ADQ3 63-P	ADQ3 80-P	ADQ3 100-P
Height(H)	46.5	50	56	64	77	92	110
Width(W)	70	79	87	96	121	140	171
A	9	10	13	14	16	20	25
R	R6	R6	R8	R8	R8	R10	R15
Push plate position (H1)	40	44	48	56	67	82	95