

ADZ series

Linear Guide Parallel Type

Air Gripper



Feature

- Piston and lever all-in-one
- Built-in magnet
- The roller type linear

Specification

Model	ADZ-06	ADZ-10	ADZ-16	ADZ-20	ADZ-25	ADZ-32	ADZ-40
Item\Bore size mm	Ø06	Ø10	Ø16	Ø20	Ø25	Ø32	Ø40
Action	Double acting						
Fluid	Air						
External grip force characteristic/N	3.3	11	34	42	65	158	254
Internal grip force characteristic/N	6.1	17	45	66	104	193	318
Pressure range kgf/cm ² (kPa)	2~7(200~700)		1.5~7(150~700)				
Ambient and fluid temperature/°C	0~60						
Max. operation frequency time/min	100					60	
Lubrication	Not required						
Finger open/close accuracy mm	± 0.01					± 0.02	
Finger open/close stroke mm	4	6	10	14	22	30	
Sensing device	With magnet						
Weight (kg)	0.025	0.06	0.14	0.27	0.49	0.81	1.37

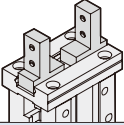
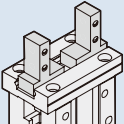
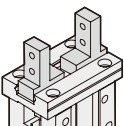
Code of order

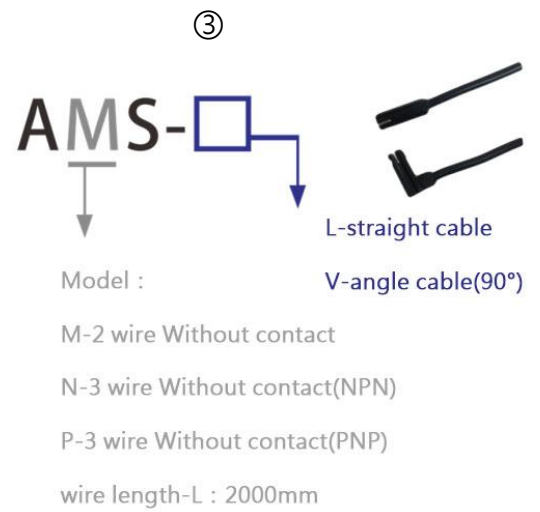
 ADZ-16-B-AMS-L
 ① ② ③

①

Mark	Bore size (mm)
06	Ø6
10	Ø 10
16	Ø 16
20	Ø 20
25	Ø 25
32	Ø 32
40	Ø 40

②

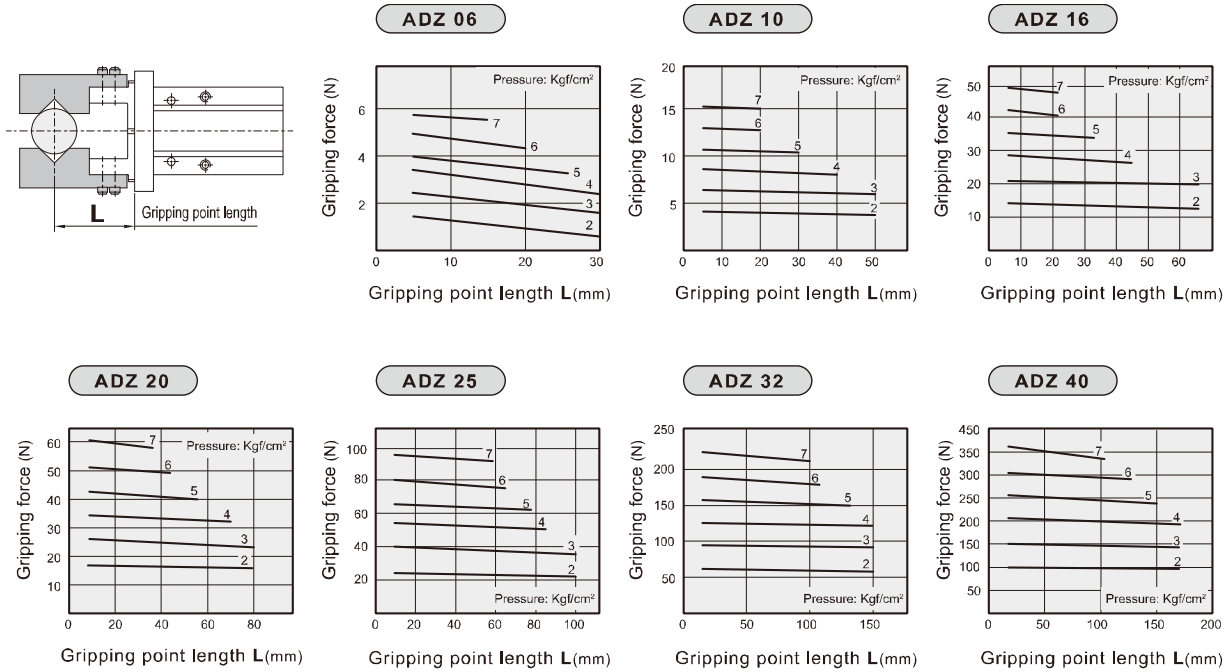
Mark	Gripper Type
None: Standard	
B: Side tapped mounting	
C: Through- holes	



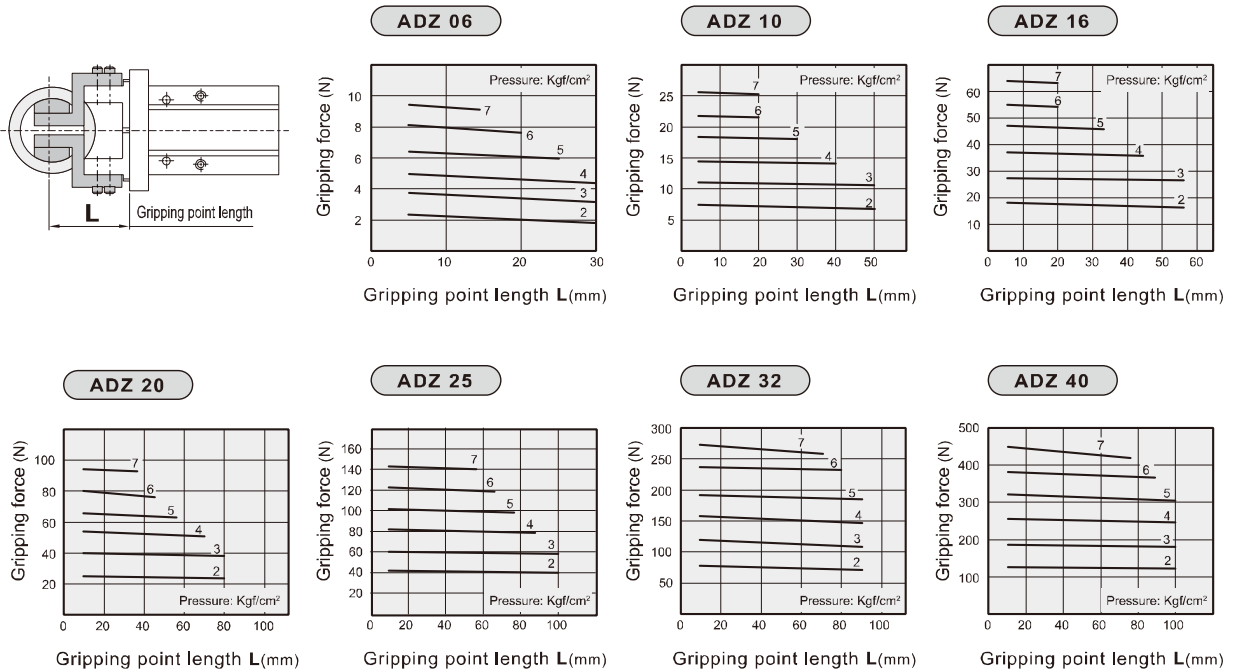
Operating type and data

Action	Model	Bore size (mm)	The smallest operating pressure (kgf/cm ²)	Thread port (mm)	Effective gripping force (N)	
					Open	Close
Double acting	ADZ 06	6	2	4-M2x0.4P	Open	6.1
					Close	3.3
	ADZ 10	10	2.2	4-M2.5x0.45P	Open	17
					Close	11
	ADZ 16	16	1.5	4-M3x0.5P	Open	45
					Close	34
	ADZ 20	20	1.5	4-M4x0.7P	Open	66
					Close	42
	ADZ 25	25	1.5	4-M5x0.8P	Open	104
					Close	65
	ADZ 32	32	1.5	4-M6x1.0P	Open	193
					Close	158
	ADZ 40	40	1.5	4-M8x1.25	Open	318
					Close	254

External grip force characteristic

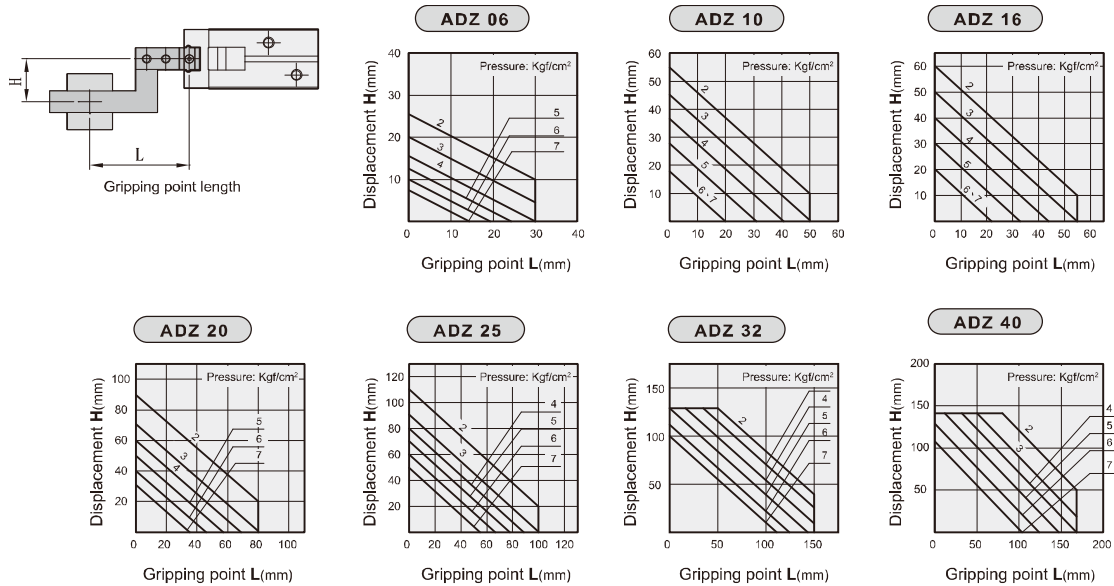


Internal grip force characteristic



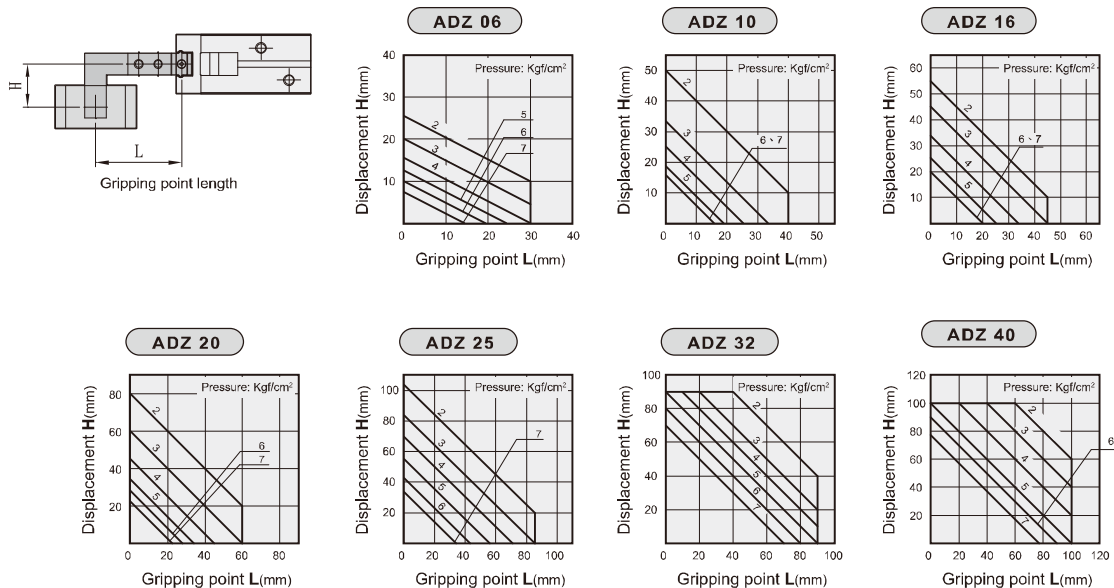
External grip force characteristic

The working piece shall be used within the requirement. If the working piece exceed below offset, it will shorter gripper lifespan.



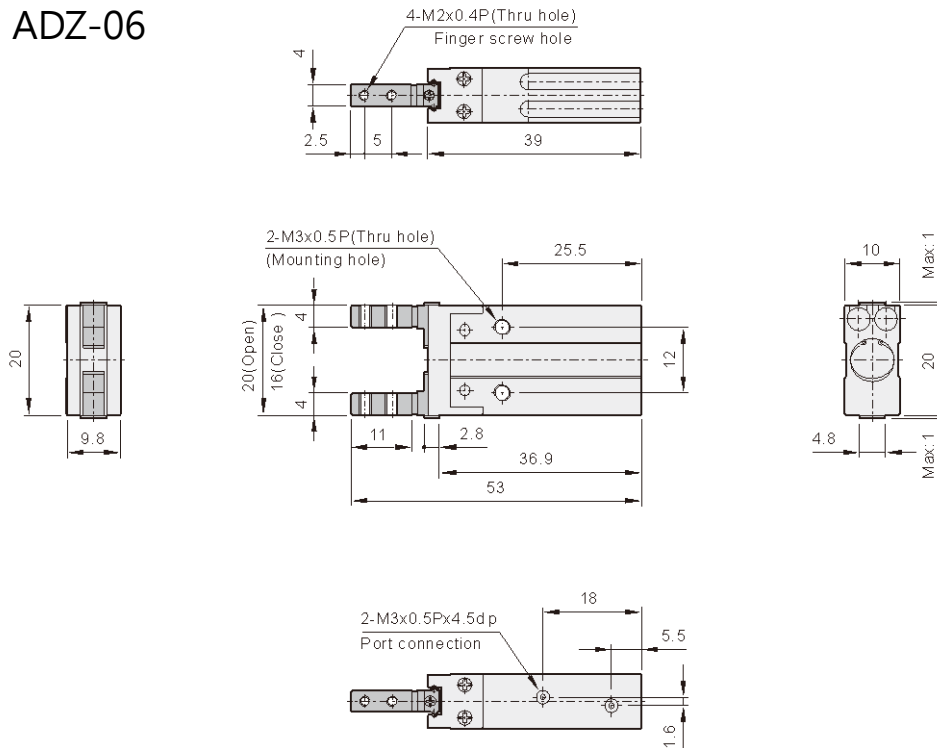
Gripper maximum allowable displacement - Internal gripping force

The working piece shall be used within the requirement. If the working piece exceed below offset, it will shorter gripper lifespan.

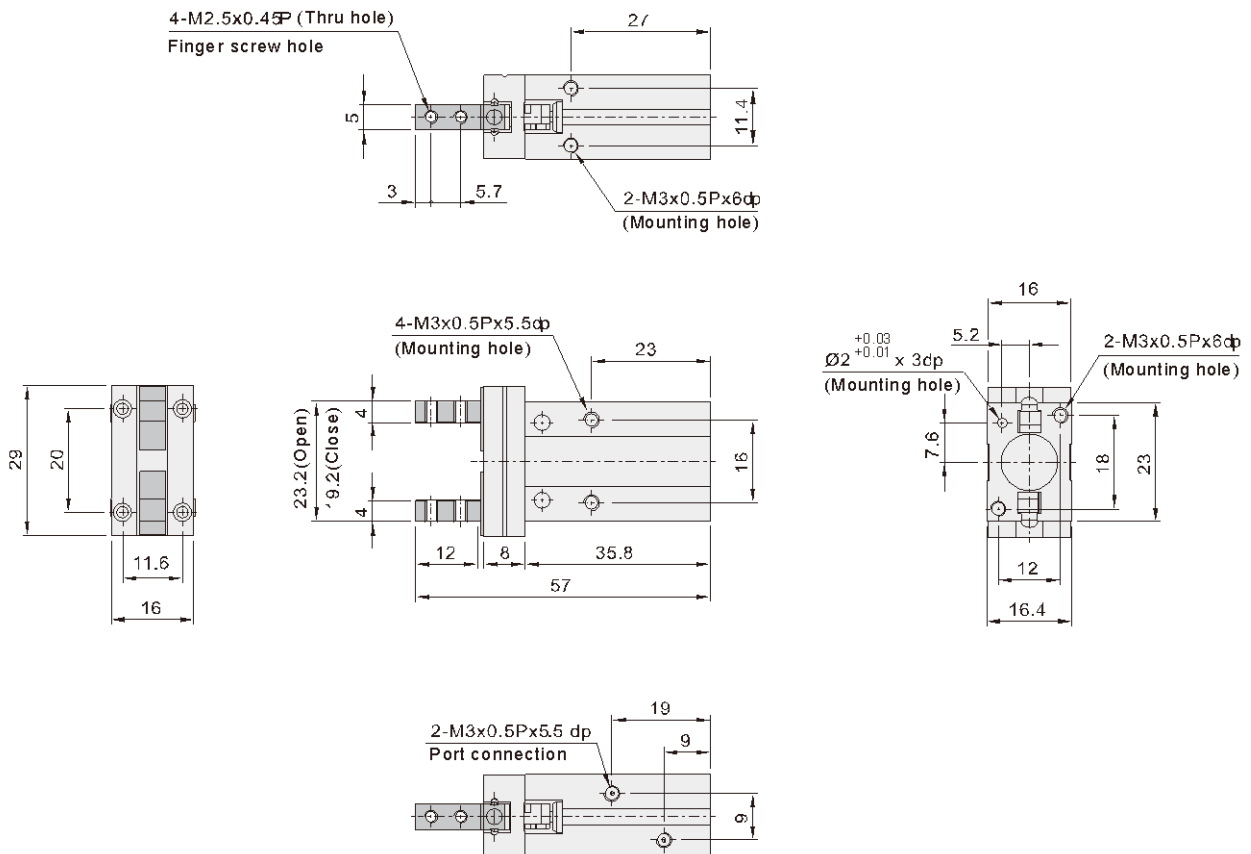


Dimensions

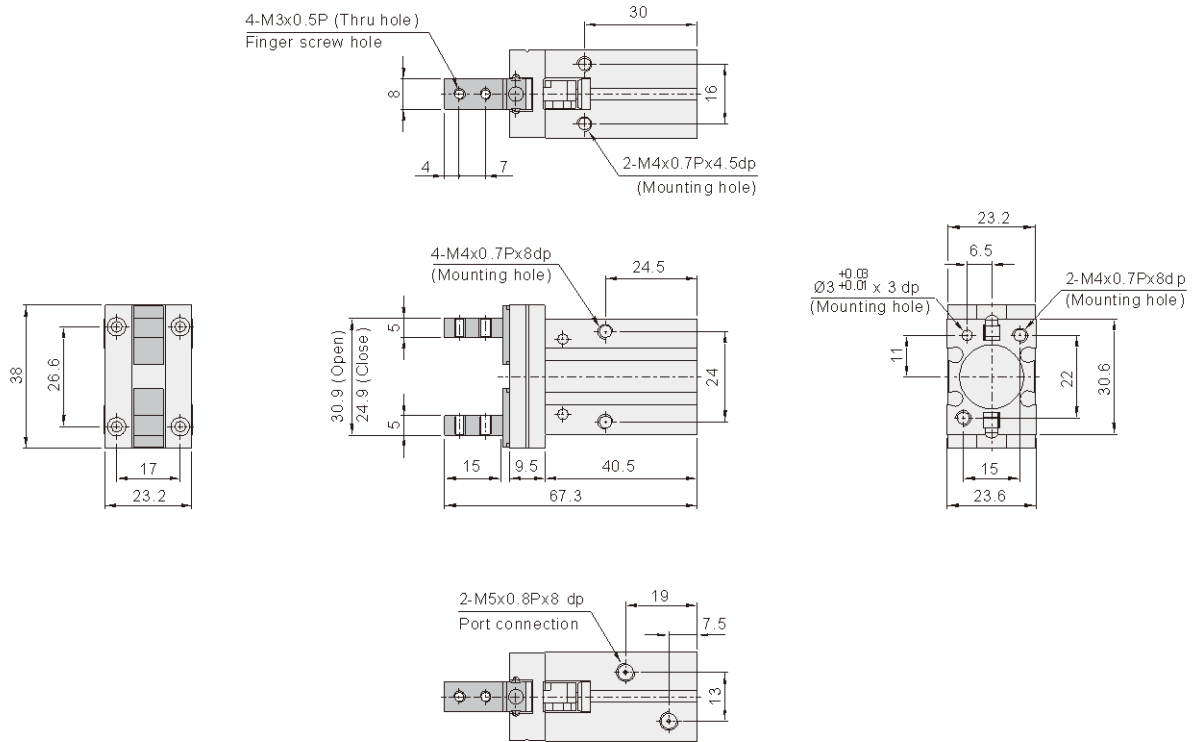
ADZ-06



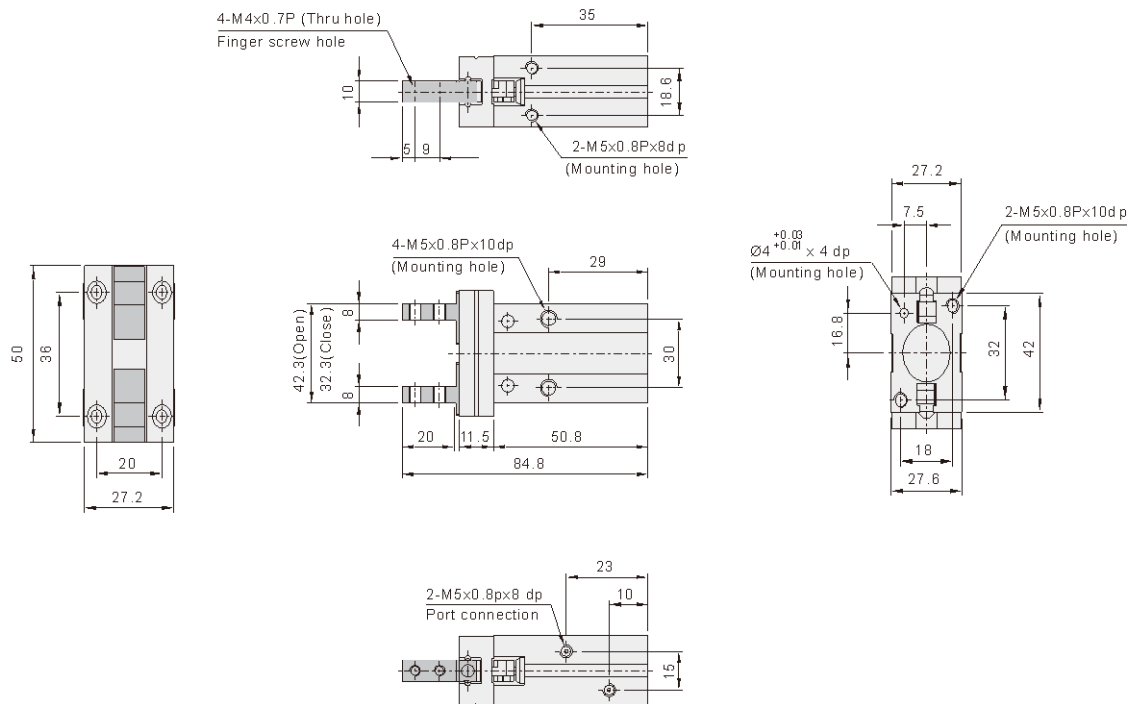
ADZ-10



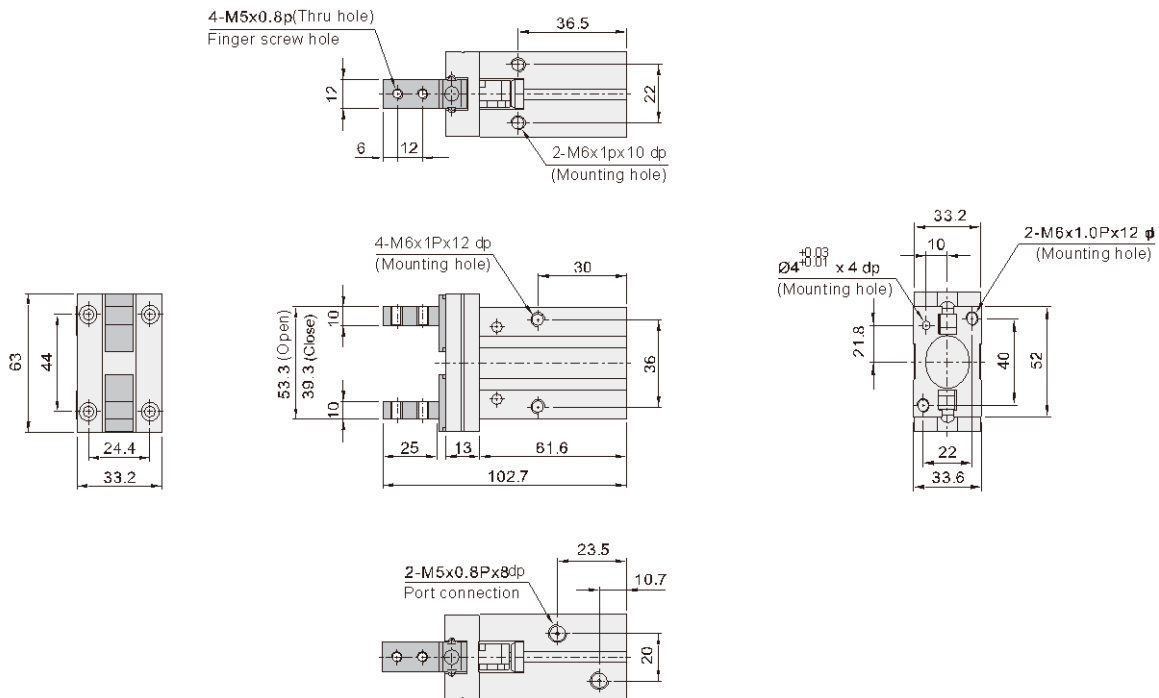
■ ADZ-16



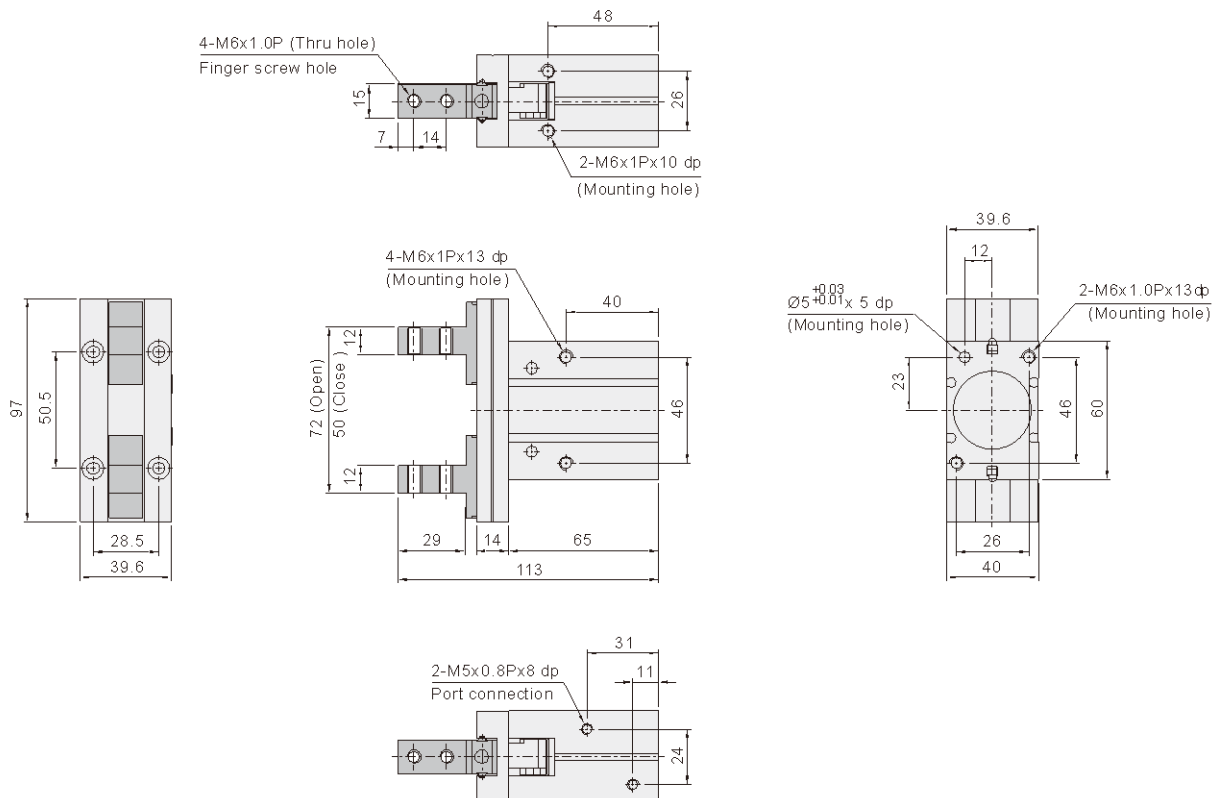
■ ADZ-20



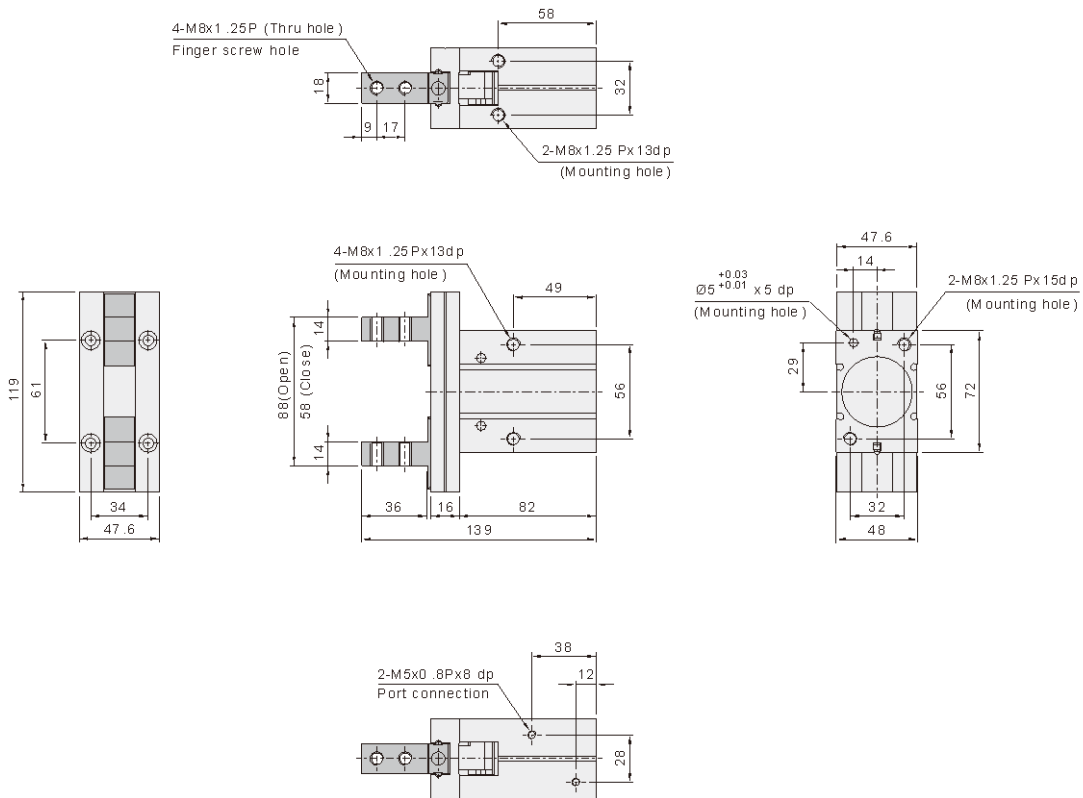
■ ADZ-25



■ ADZ-32



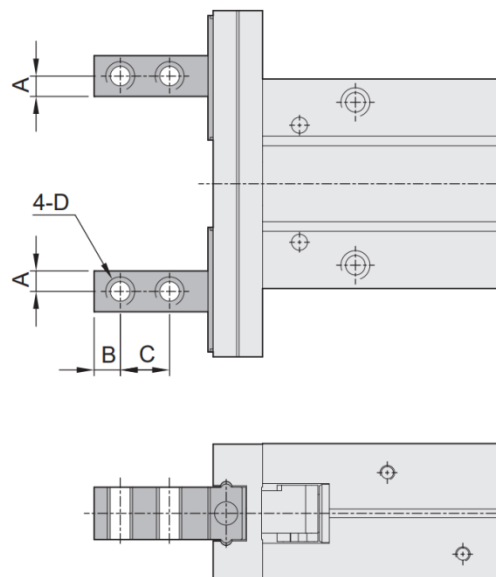
■ ADZ-40



■ ADZ Side tapped mounting

Unit: mm

Mark / Model	A	B	C	D
ADZ 06	2	2.5	5	M2x0.4P
ADZ 10	2	3	5.7	M2.5x0.45P
ADZ 16	2.5	4	7	M3x0.5P
ADZ 20	4	5	9	M4x0.7P
ADZ 25	5	6	12	M5x0.8P
ADZ 32	6	7	14	M6x1.0P
ADZ 40	7	9	17	M8x1.25P



■ ADZ Through-hole in opening / Closing direction

Unit: mm

Mark Model	A	B	C	D
ADZ 06	4	2.5	5	Ø2.4
ADZ 10	5	3	5.7	Ø3
ADZ 16	8	4	7	Ø3.5
ADZ 20	10	5	9	Ø4.5
ADZ 25	12	6	12	Ø5.5
ADZ 32	15	7	14	Ø6.5
ADZ 40	18	9	17	Ø8.5

