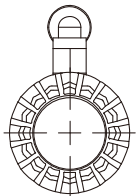
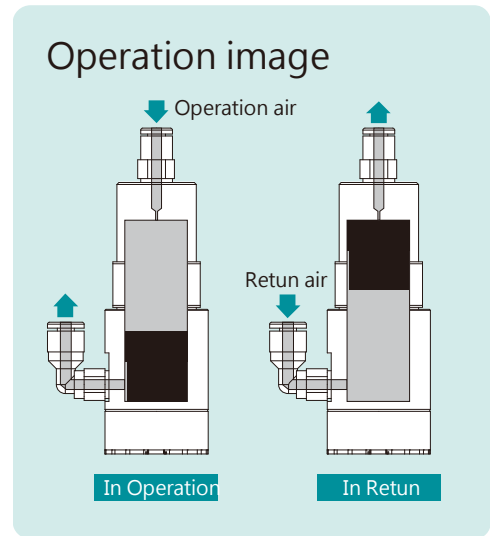
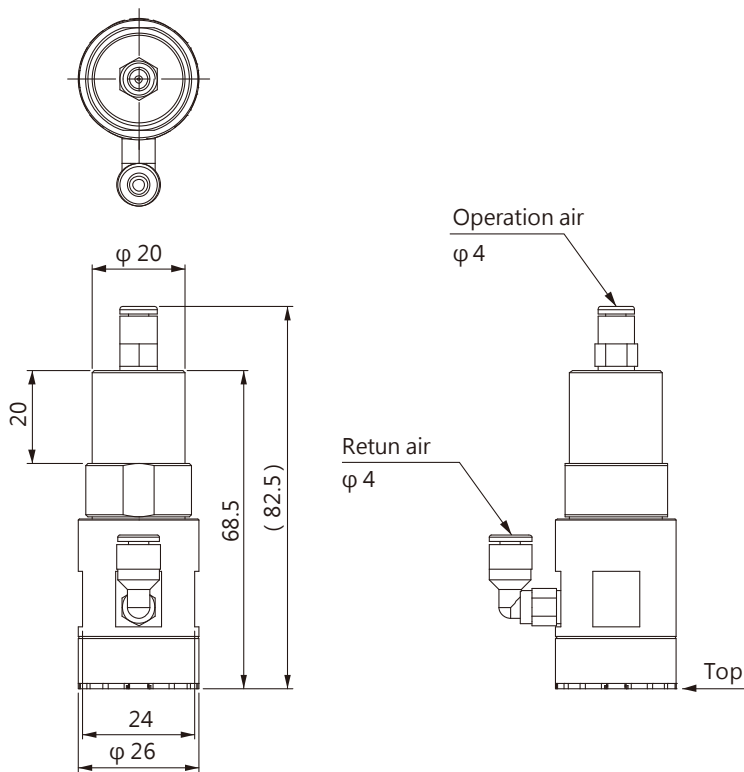




AMG

Magnetic Gripper

- Powerful holding force with the magnet.
- Lightweight with compact design
- Jungle gym with Ø20 series
- Using with magnet to transfer steel parts.



Standard	AMG-20
Weight	95g
Mechanism	Double Action Type
Air pressure	0.39~0.49Mpa
Holding force	25N
Residual magnet*	0.01N Max.

* Indicates the residual magnet at the top in return operation