

## AMH4 series 4-Finger Round Body Air Gripper



### Feature

- Wedge slider type
- 4 finger centre gripping
- Large output and good stability

### Specification

Item	Bore size(mm)	Ø16	Ø20	Ø25	Ø32	Ø40	Ø50	Ø63	Ø80	Ø100	
Action		Double acting									
Fluid		Air									
Pressure range	kgf / cm <sup>2</sup> (kPa)	3 ~ 7 ( 300 ~ 700 )									
Ambient and fluid temperature	°C	0 ~ 60									
Repeatability	mm	±0.01									
Max. operating frequency	time/min	120			60				30		
Lubrication		Lubrication free type									
Gripping force	External grip	N	10	19	31	55	88	140	251	355	534
	Internal grip	N	12	21	35	61	97	153	268	374	555
Opening/ closing stroke	mm	4	4	6	8	8	12	16	20	24	
Port size	Side	M3X0.5P			M5X0.8P				PT1/8	PT1/4	
	Bottom	-			M5X0.8P				PT1/8		
Sensing device		With magnet									

Note: Gripping force is with pressure 5kgf / cm<sup>2</sup> and gripping point = 20 mm.

### Product weight

Model	Weight (kg)
AMH4 16	0.064
AMH4 20	0.105
AMH4 25	0.163
AMH4 32	0.371
AMH4 40	0.411
AMH4 50	0.607
AMH4 63	1.140
AMH4 80	1.927
AMH4 100	3.530

Note: All of above are theoretical data.  
Weight tolerance about±5%

## Code of order

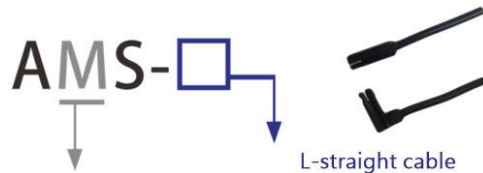
AMH4-16-AMS-L-2

①      ②      ③

①

Mark	Bore size(mm)
16	Ø16
20	Ø20
25	Ø25
32	Ø32
40	Ø40
50	Ø50
63	Ø63
80	Ø80
100	Ø100

②



Model :

- M-2 wire Without contact
- N-3 wire Without contact(NPN)
- P-3 wire Without contact(PNP)

wire length-L : 2000mm

③

Mark	Sensor quantity
1	With 1 sensor switch
2	With 2 sensor switches

## Operating type and data

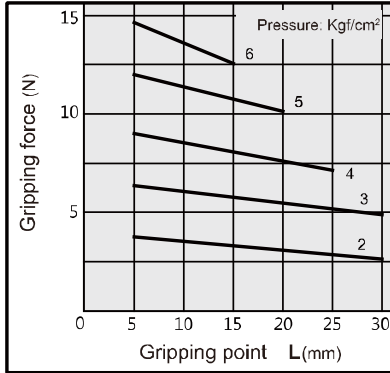
Model	The smallest operating pressure (kgf/cm <sup>2</sup> )	Thread port (mm)	Effective gripping force (N)	
AMH4 16	2.2	4-M3x0.5Px4dp	Open	12
			Close	10
AMH4 20	2.2	4-M3x0.5Px6dp	Open	21
			Close	19
AMH4 25	2.2	4-M3x0.5Px6dp	Open	35
			Close	31
AMH4 32	1.5	4-M4x0.7Px8dp	Open	61
			Close	55
AMH4 40	1.5	4-M4x0.7Px9dp	Open	97
			Close	88
AMH4 50	1.5	4-M5x0.8Px10dp	Open	153
			Close	140
AMH4 63	1.5	4-M5x0.8Px10dp	Open	268
			Close	251
AMH4 80	1.5	4-M6x1.0Px12dp	Open	374
			Close	355
AMH4 100	1.5	4-M8x1.5Px16dp	Open	555
			Close	534

Note: The gripping force is the force of open and close gripper which in the length of gripping point is 20mm and acting pressure is 5 kgf/cm<sup>2</sup>.

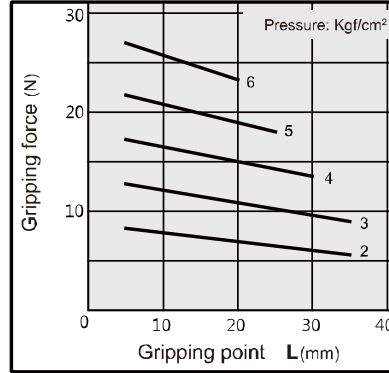
## Characteristics graph

### External grip

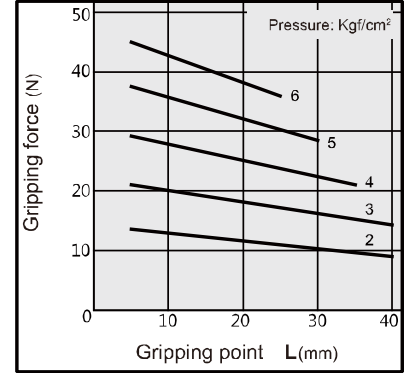
AMH4 16



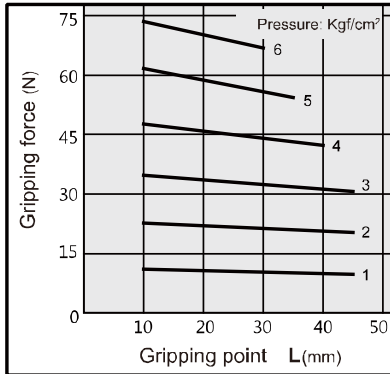
AMH4 20



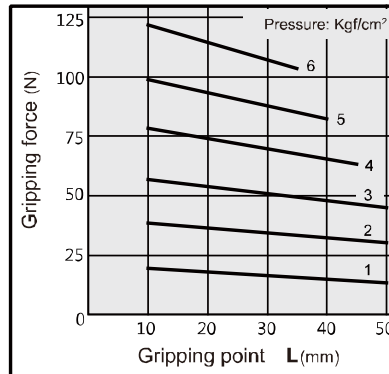
AMH4 25



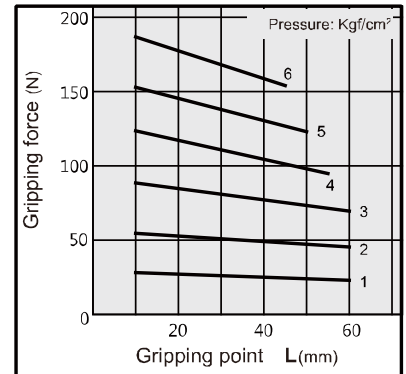
AMH4 32



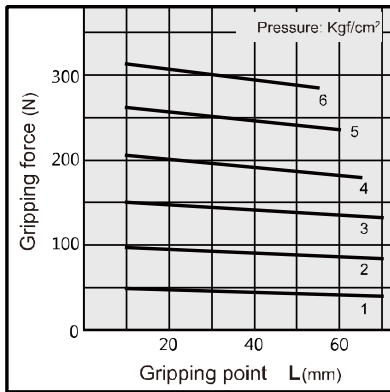
AMH4 40



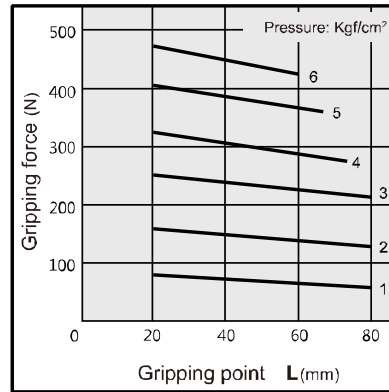
AMH4 50



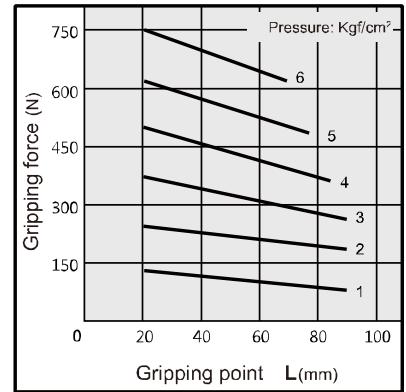
AMH4 63



AMH4 80

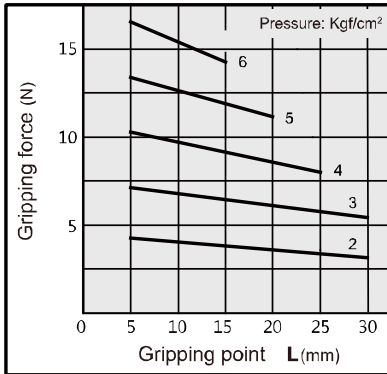


AMH4 100

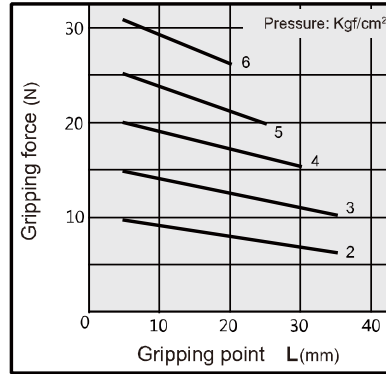


## Internal grip

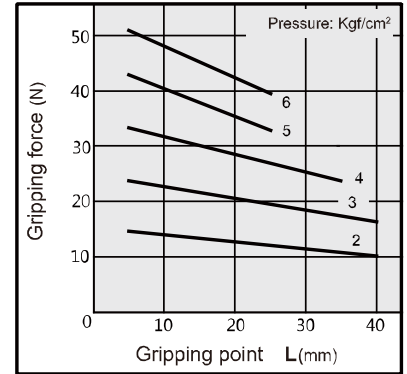
AMH4 16



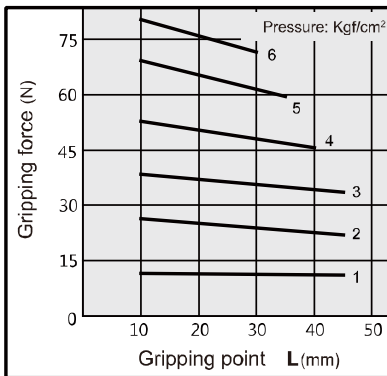
AMH4 20



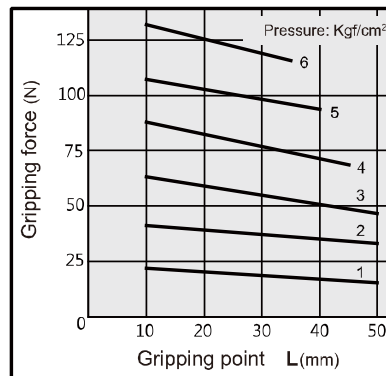
AMH4 25



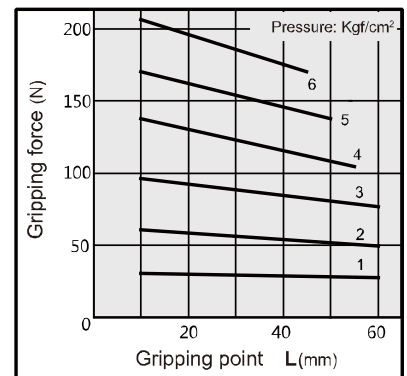
AMH4 32



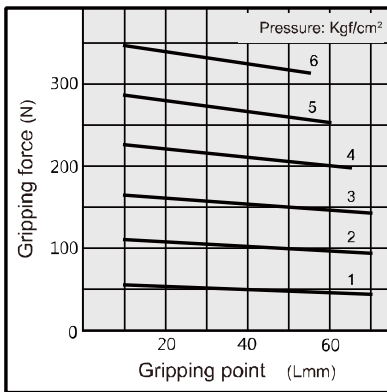
AMH4 40



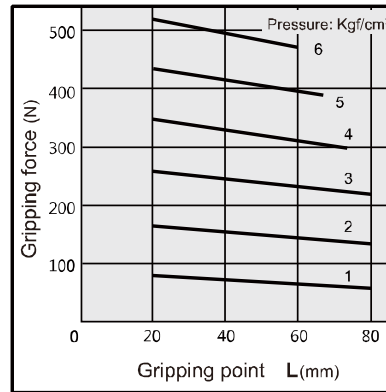
AMH4 50



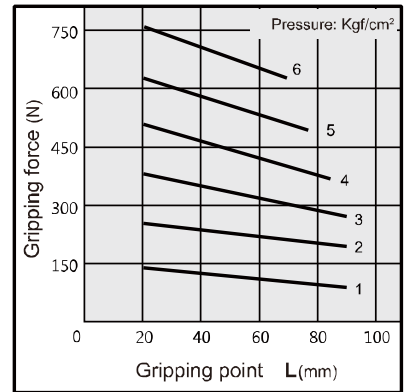
AMH4 63



AMH4 80

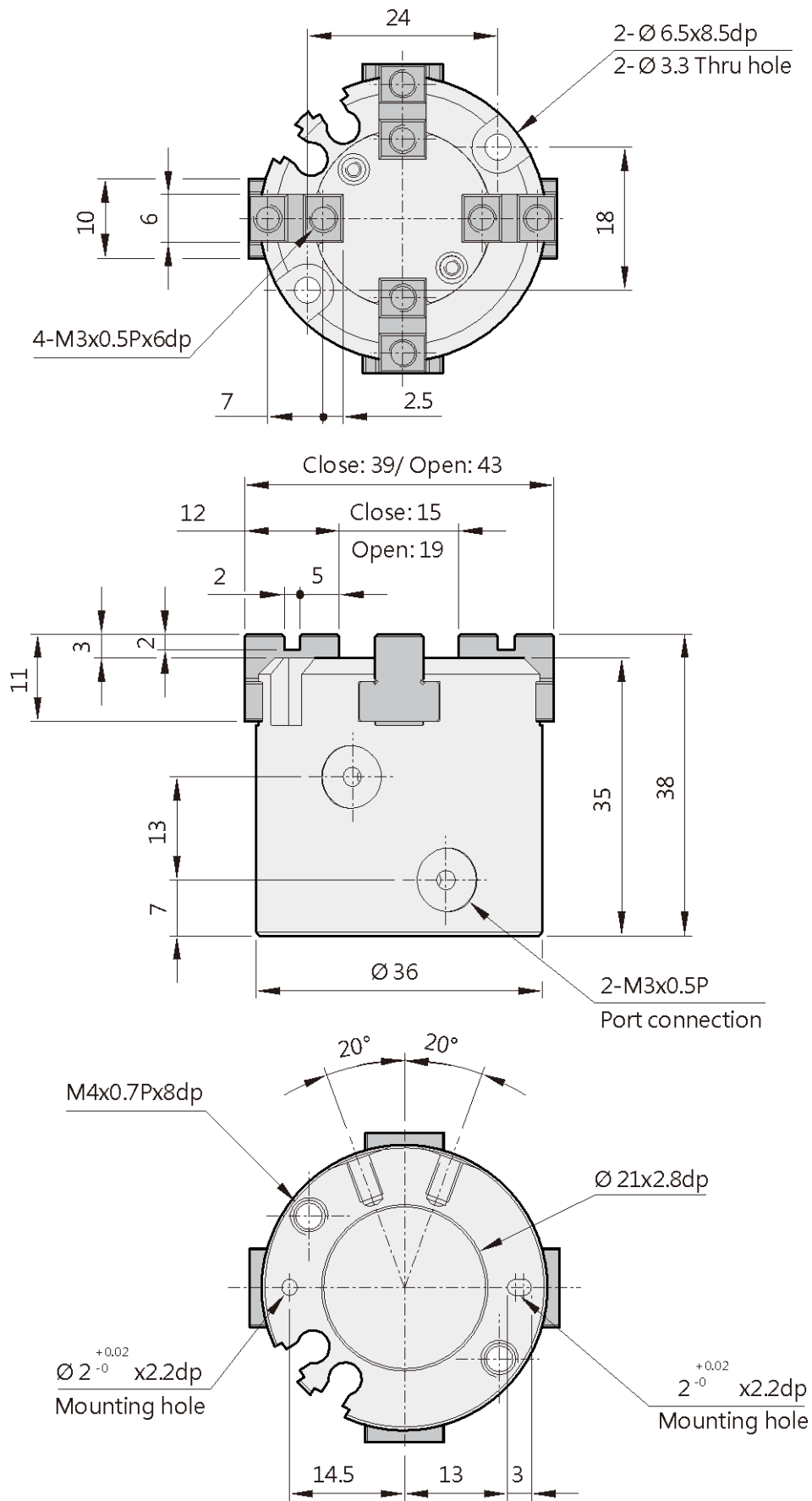


AMH4 100

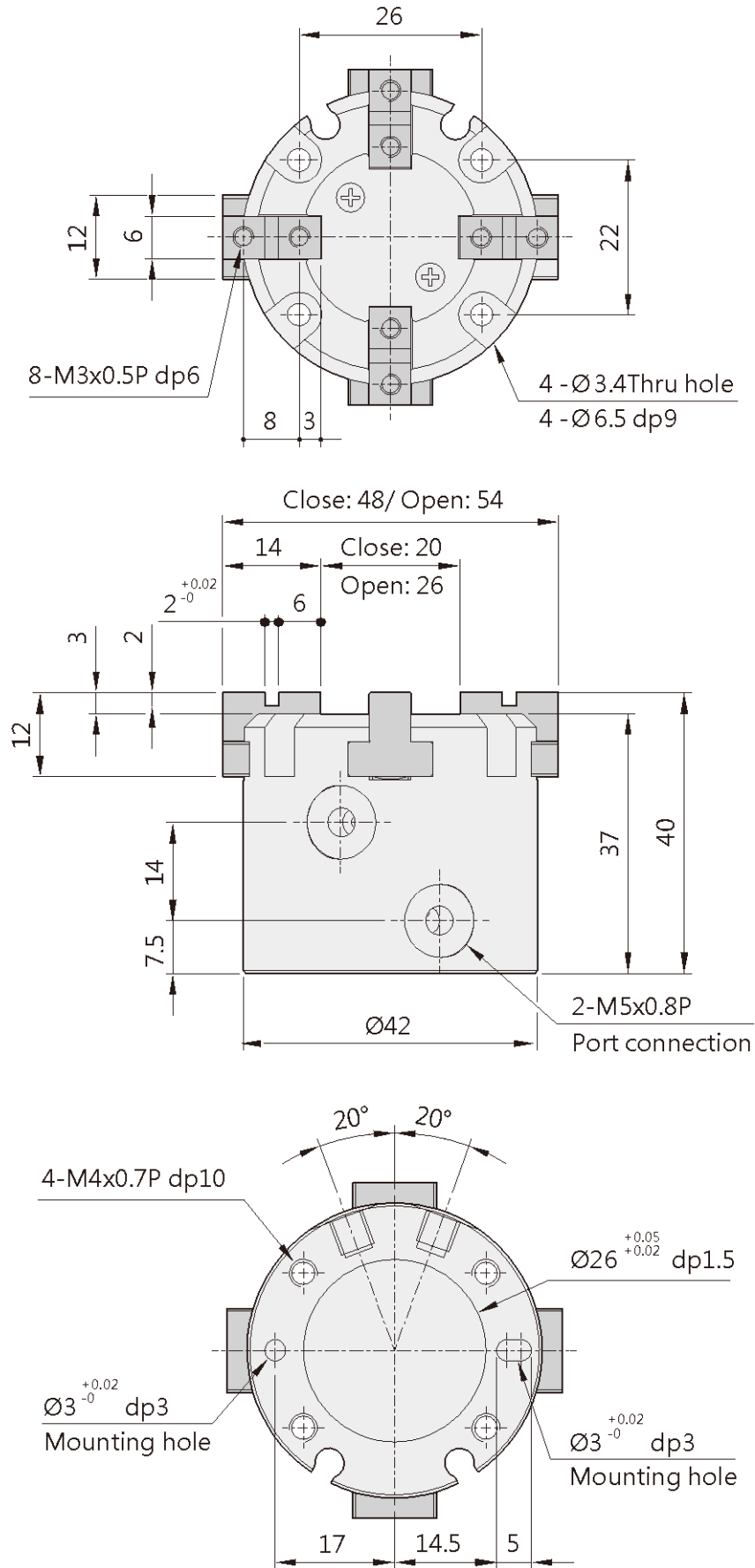




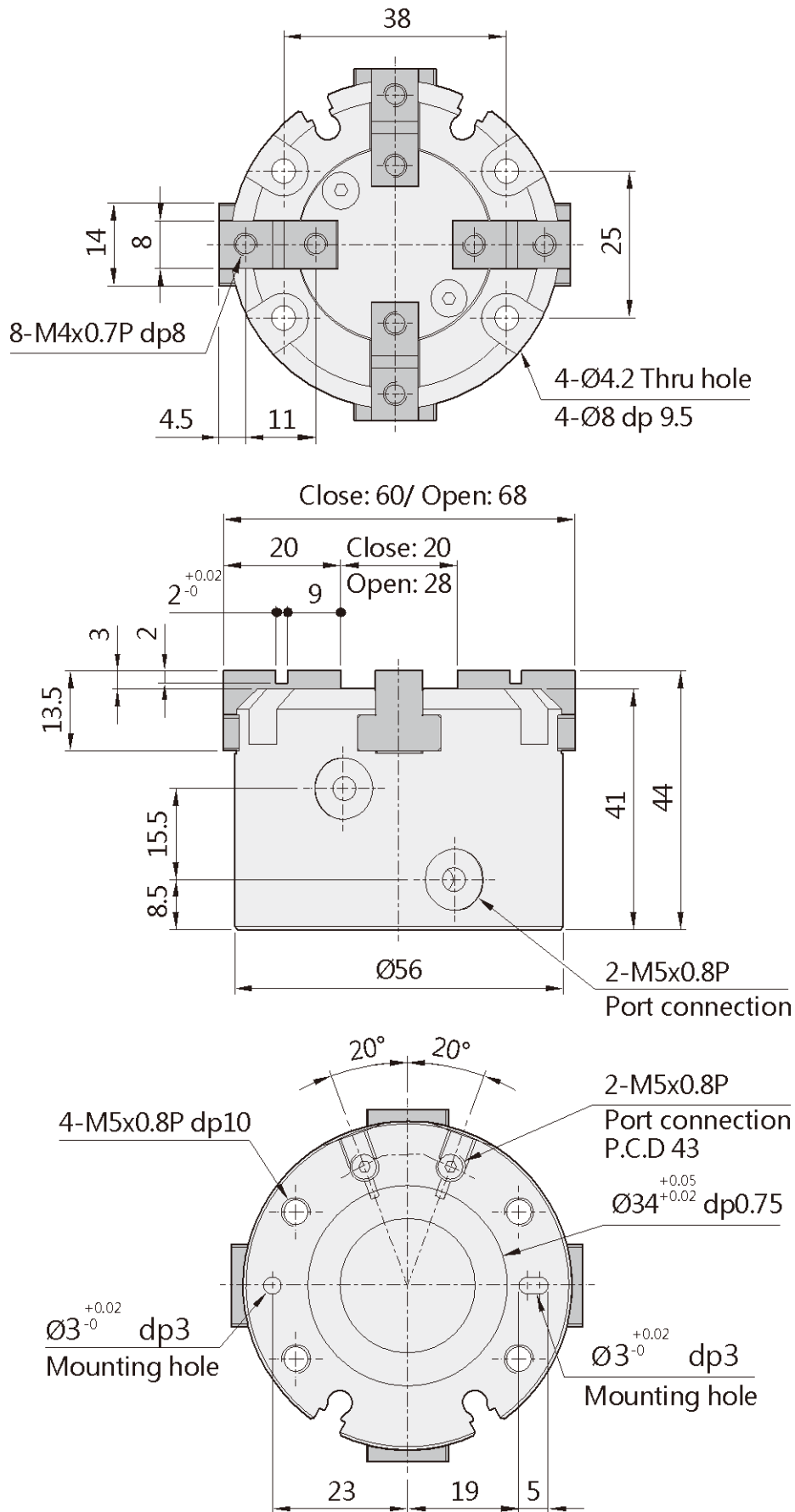
## AMH4-20



## AMH4-25

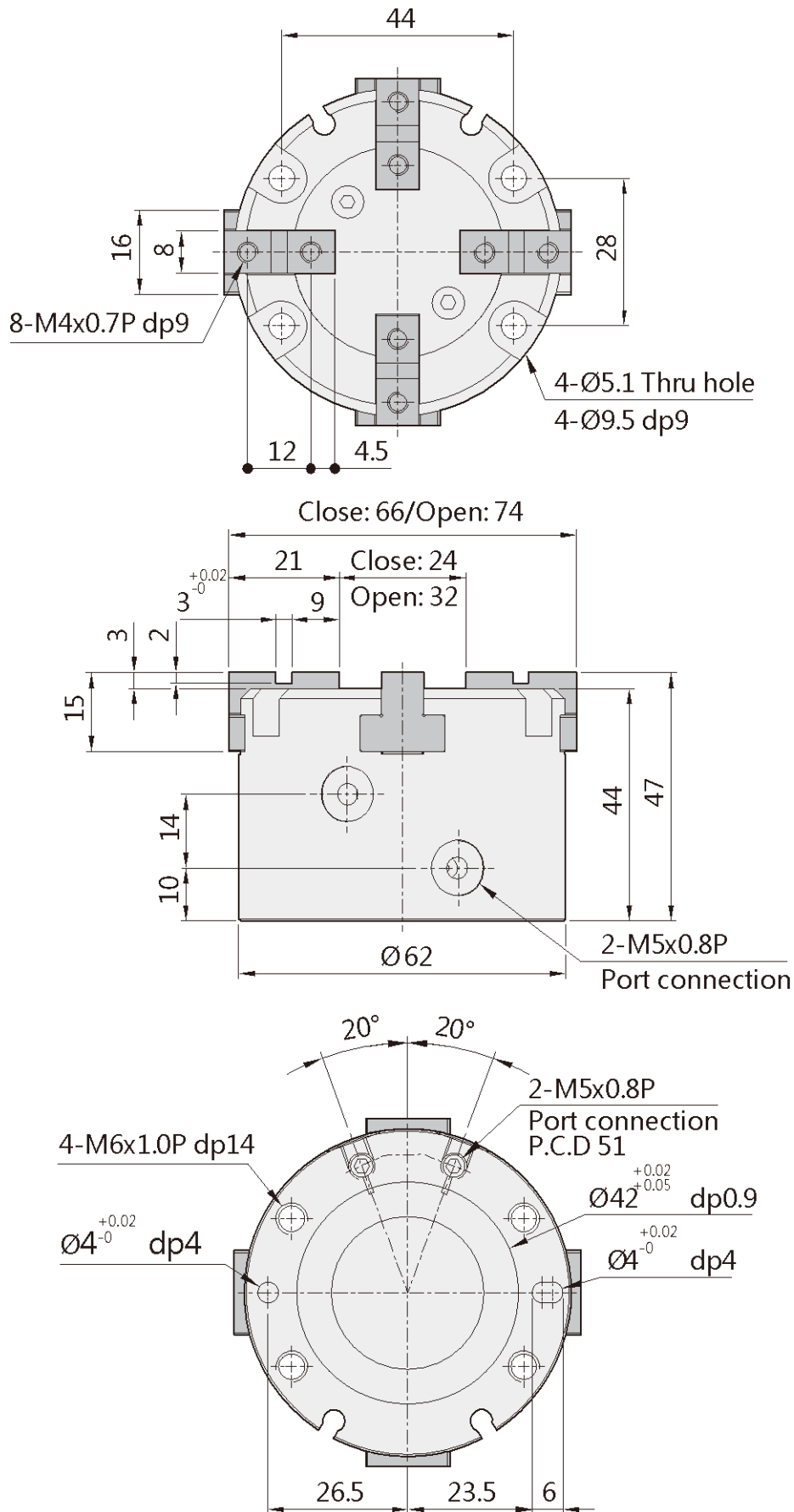


## AMH4-32

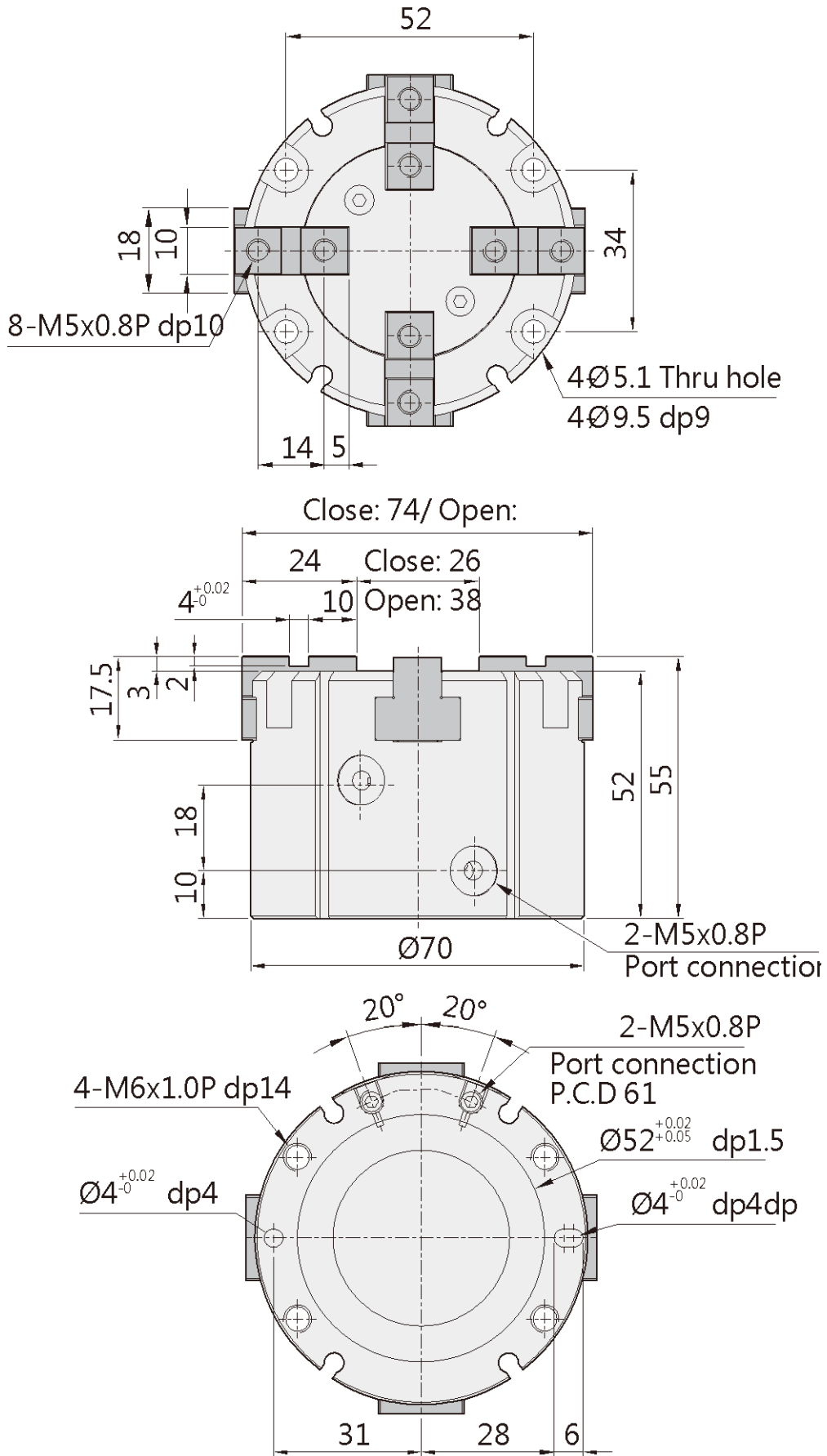




■ AMH4-40

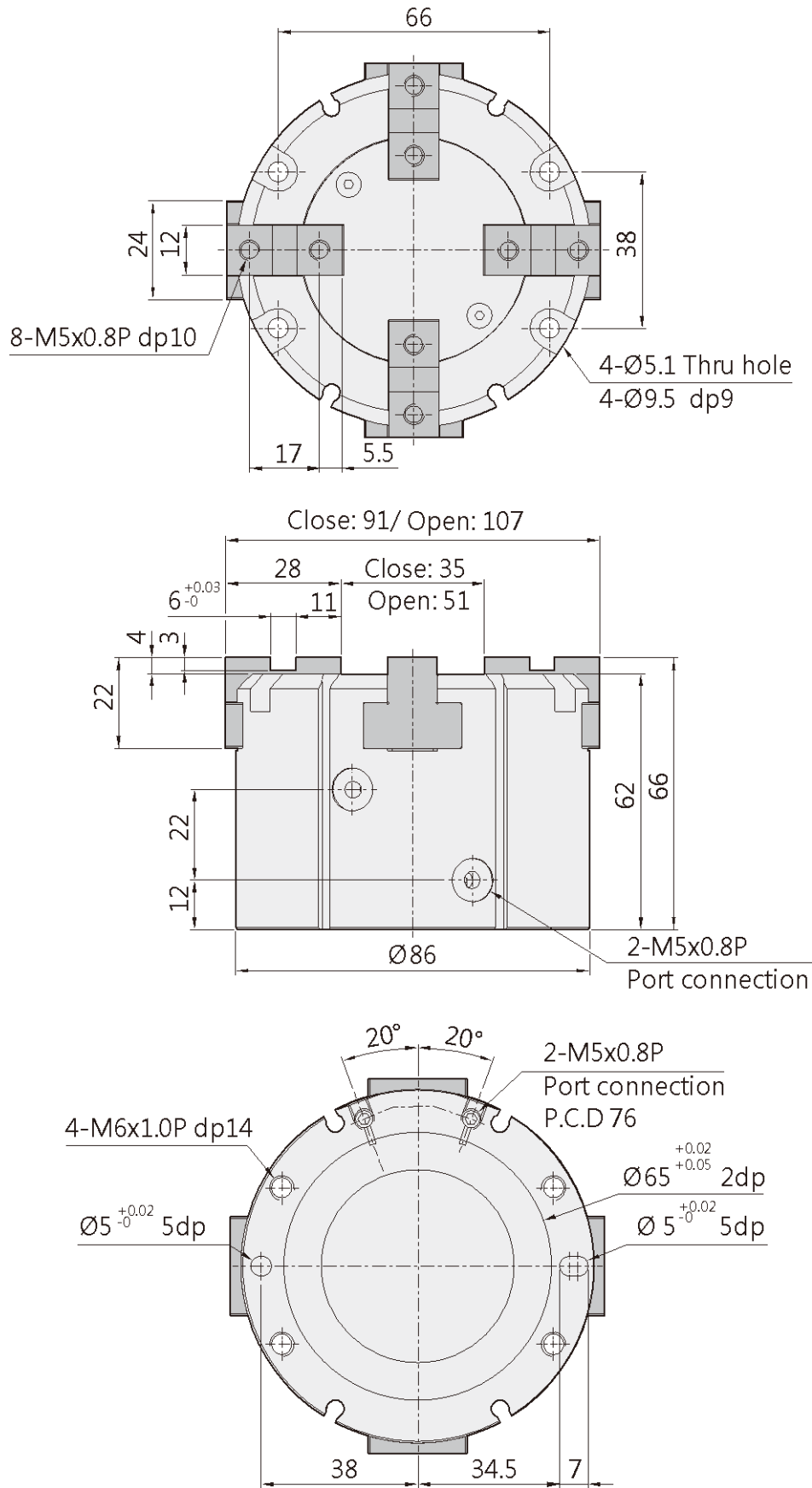


■ AMH4-50



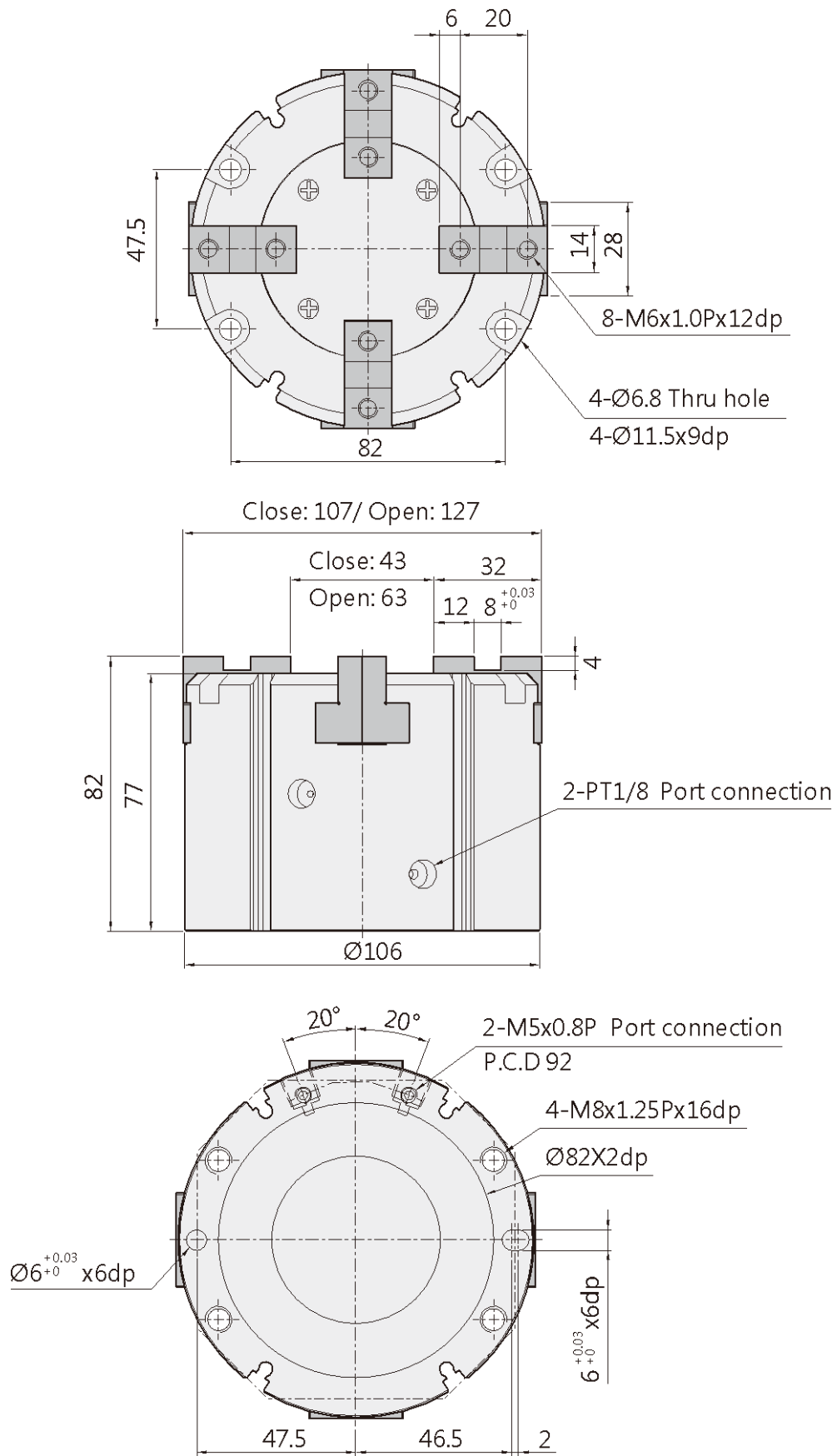


## AMH4-63





## ■ AMH4-80





## AMH4-100

