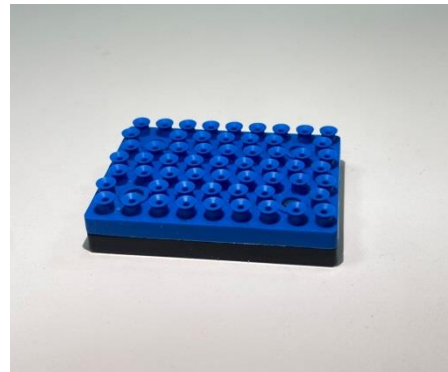
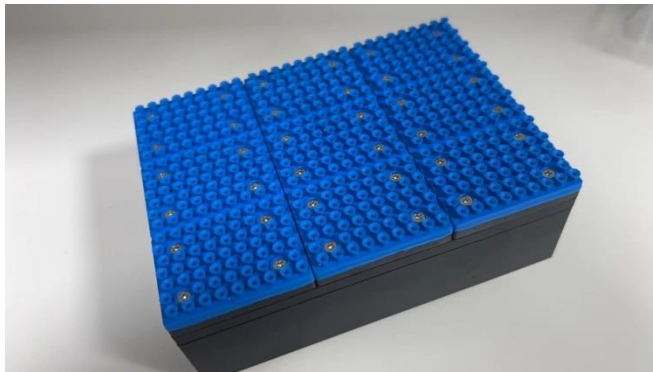




AVGP Rubber Grippers

- Built-in vacuum generator/check valve
- Suitable for PCB board suction
- Customizable according to size requirements



Features

- Suitable for grasping workpieces with a porous structure and effective grasping in the presence of partial leakage.
- Made of aluminum oxide, modular and compact rubber suction cup.

Order Code

AVGP 30X126 - V - C42 - F4 - A

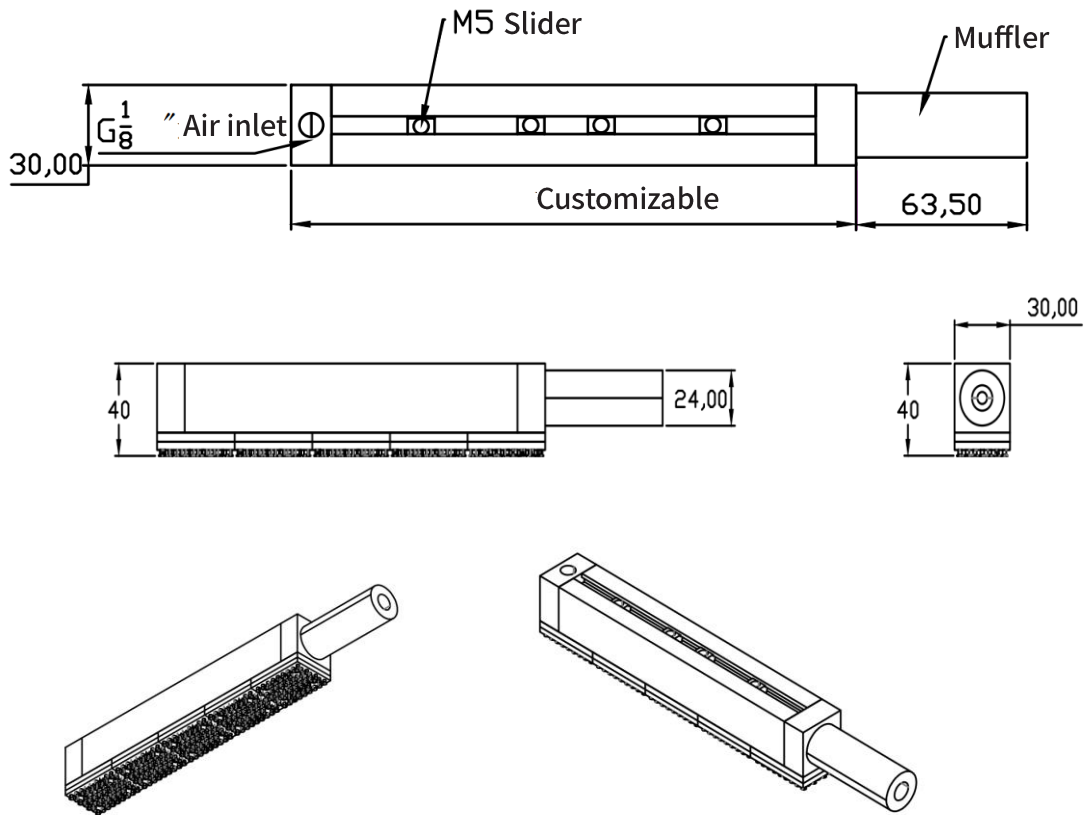
① ② ③ ④ ⑤ ⑥

① Model	② Specifications and dimensions	③ Valve body technology
	Length and width: 30X42mm 30X84mm 30(60)X126mm 30(60)X294mm 30(60)X168mm 30(60)X336mm 30(60)X210mm 30(60)X420mm 30(60)X252mm	Check valve
④ Suction hole type	⑤ Sealing gasket type	⑥ Vacuum source type
C42 Suction cup module	Suction cup: 4mm	A: Built-in vacuum generator

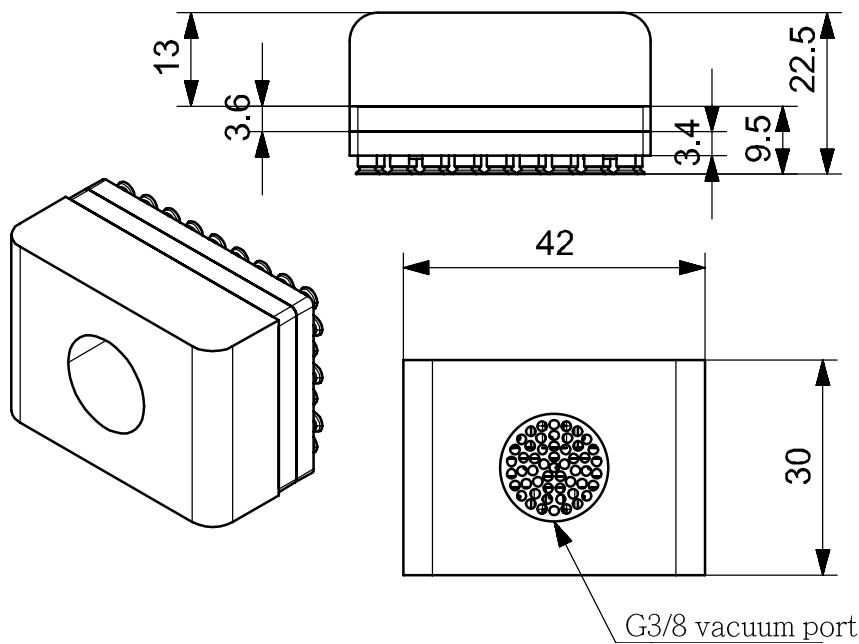
※30x42 and 30x84 models do not have a built-in vacuum generator



Dimensions



30X42mm





30X84mm

