

AWG series Wedge Slider Type Air Gripper



Feature

- Wedge slider type
- Y type clamping
- Large output and good stability

Specification

Item	Bore size (mm)	Ø34	Ø44	Ø55	Ø66
Action		Double acting			
Fluid		Air			
Pressure range	kgf / cm ² (kPa)	2 ~ 8 (200 ~ 800)			
Ambient and fluid temperature	°C	5 ~ 80			
Lubrication		Lubrication free type			
Gripper open angle	°	15	15	15	15
Gripper close angle	°	-3	-3	-3	-3
Gripper close moment	N.m	12.5	23	57	100
Port size	mm	M5X0.8P	PT1/8		
Recommend workpiece weight	kg	0.97	1.4	2.78	3.86
Open/ Close time	s	0.08	0.12	0.14	0.16
Repeatability	mm	±0.02			
Sensing device		With magnet			

Note: The gripping force is the force of open and close gripper, the acting pressure is 5kgf/cm².

Product weight

Model	Weight (kg)
AWG Ø34	0.49
AWG Ø44	0.79
AWG Ø55	1.33
AWG Ø66	2.47

Note: All of above are theoretical data.
Weight tolerance about±5%

Code of order

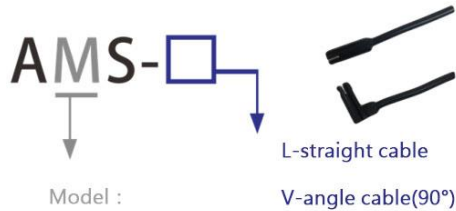
AWG-34-AMS-L-2

① ② ③

①

Mark	Bore size (mm)
34	Ø34
44	Ø44
55	Ø55
66	Ø66

②



Model :

M-2 wire Without contact

N-3 wire Without contact(NPN)

P-3 wire Without contact(PNP)

wire length-L : 2000mm

③

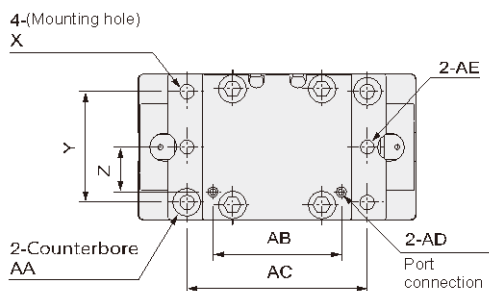
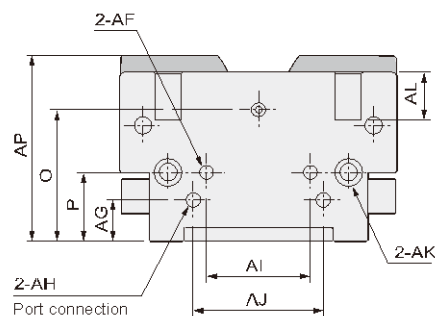
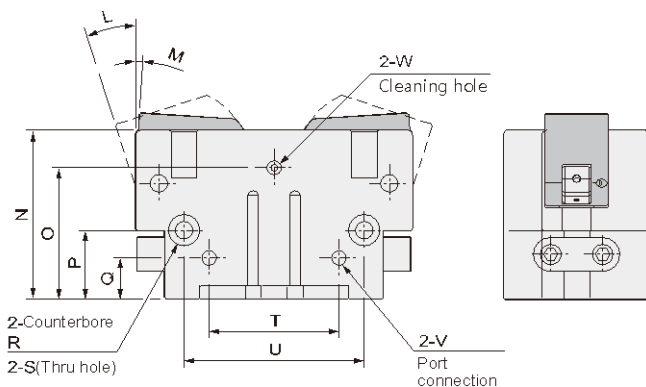
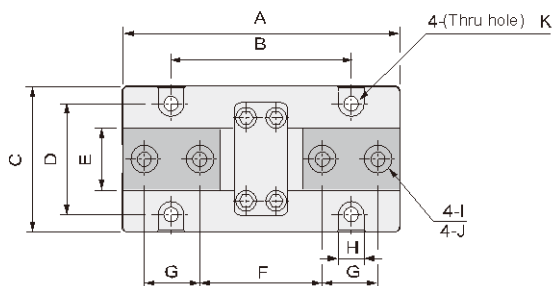
Mark	Sensor quantity
1	With 1 sensor switche
2	With 2 sensor switches

Operating type and data

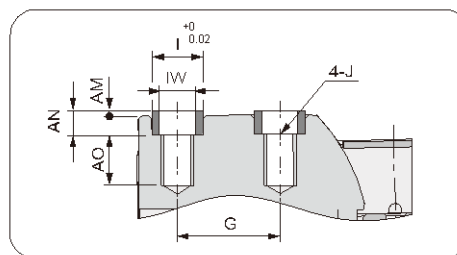
Model	The smallest operating pressure (kgf/cm ²)	Thread port (mm)	Gripper close moment(N-m)
AWG 34	2	4-M5x0.8Px8dp	12.5
AWG 44	2	4-M6x1.0Px10dp	23
AWG 55	2	4-M6x1.0Px10dp	57
AWG 66	2	4-M10x1.5Px14dp	100

Note: The gripping force is the force of open and close gripper, the acting pressure is 5 kgf/cm².

Dimensions



Close-up of centering sleeve



Unit: mm

Mark	A	B	C	D	E	F	G	H	I	IW	J	K	L	M	N	O	P	Q	R	S	T	U	V
AWG 34	80	52	42	32	18	36	16	7.4	Ø8x3dp	Ø5.3	M5x0.8Px8dp	Ø4.2	15°	3°	49	38	20	12	Ø9x12dp	Ø5.1	37.5	52	M5
AWG 44	98	66	50	38	22	46	20	9	Ø10x3dp	Ø6.3	M6x1.0Px10dp	Ø5.1	15°	3°	56	44	25	15	Ø11x10dp	Ø6.6	49	66	PT1/8
AWG 55	123	82	60	45	26	60	24	10.5	Ø10x3dp	Ø6.3	M6x1.0Px10dp	Ø6.8	15°	3°	64	48.5	30	15	Ø14x15dp	Ø9	61	82	PT1/8
AWG 66	150	100	72	56	30	67	32	10.5	Ø14x5dp	Ø10.3	M10x1.5Px14dp	Ø6.8	15°	3°	77	58.5	28	18	Ø14x17dp	Ø9	74	100	PT1/8

Unit: mm

Mark	W	X	Y	Z	AA	AB	AC	AD	AE	AF	AG	AH	AI	AJ	AK	AL	AN	AM	AO	AP
AWG 34	M5	M5x0.8Px10dp	32	13	Ø8x3dp	38	52	M3	Ø4x4dp	Ø4x5dp	12	M5	30	37.5	Ø8x3dp	14	5	2	8	53.5
AWG 44	M5	M6x1.0Px10dp	38	14.9	Ø10x4dp	49	66	M3	Ø5x6dp	Ø5x5dp	15	M5	50	49	Ø10x4dp	19	5	2	10	60
AWG 55	M5	M8x1.25Px20dp	45	19.8	Ø12x4dp	56.8	82	M5	Ø6x10dp	Ø6x6dp	15	M5	60	61	Ø12x4dp	22	5	2	10	68
AWG 66	M5	M8x1.25Px20dp	56	22.6	Ø12x4dp	76	100	M5	Ø6x12dp	Ø6x7dp	18	M5	76	74	Ø12x4dp	26	7	2	14	82