



## AZP3P-JT Vacuum Pad/ Bellows Type



### Features

- $\varnothing 20$ 、 $\varnothing 25$ 、 $\varnothing 32$ 、 $\varnothing 40$ 、 $\varnothing 50$
- Corresponding suction and conveyance of soft sheet-packaged workpieces.
- Film lining skirt: Provides soft adherence to soft workpieces.
- Special ribbed shape: Enhances sealing effectiveness, reduces vacuum leakage, prevents skirt curling, utilizes support ribs to prevent adhesion in the expansion sections, and reduces poor return during vacuum off.
- Guide accessory function: Speed adjustment: Suitable for 4G suction and conveyance, reducing deformation of the suction cup, workpiece shaking, and preventing bag ingestion.
- Suction cup unit and guide accessories use materials that meet FDA (U.S. Food and Drug Administration) specifications.
- Adopting blue color for easy color discrimination, such as detecting foreign objects.
- Capable of suction and conveyance of large deformable bag-packaged workpieces, including liquid packaging, powder packaging, gas-filled bags, and bagged items.
- Guide accessories reduce suction cup deformation and workpiece shaking during suction and conveyance.
- 5.5-stage telescopic shape, workpiece height, inclined adherence, mitigating impacts on contents, and absorbing variations in the "high-low difference" of bagged workpieces' movements.

## Order Code



**AZP3P – 20 JT 5 SF – WG**

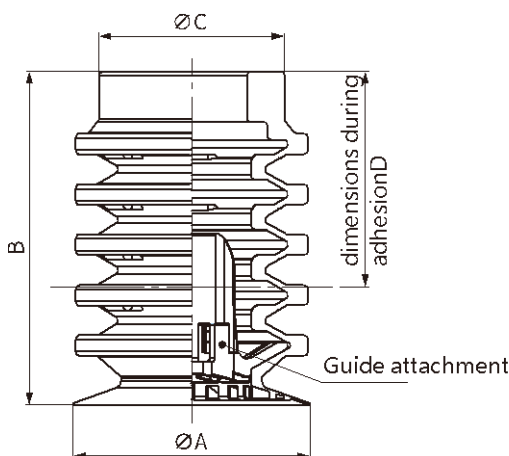
①                      ②                      ③                      ④                      ⑤

① Suction cup diameter	② Suction cup types	③ Suction cup layers	④ Suction cup material	⑤ Guide attachment
20-Φ20	JT - Accordion-type	5 - 5.5	SF - Blue transparent silicone rubber	Blank - no Guide attachment
25-Φ25				WG - Guide attachment
32-Φ32				
40-Φ40				
50-Φ50				

## Specifications

Operating temperature range	0~90°C	
Suction cup	Material	German-imported food-grade silicone rubber
	Color	Blue
	Hardness HS(±5°)	A40/S
Guide attachment	Material	Synthetic resin
	Color	White

## Dimensions



Model	ØA	B	ØC	D	weight g
AZP3P-T20	20	31.2	16	21.2	4.6
AZP3P-T25	25	35		23	6.3
AZP3P-T32	32	45	25	29	14.8
AZP3P-T40	40	51.5		31.5	20.3
AZP3P-T50	50	59		33	26.9

Order Code



**AZP3P – T 20 JT 5 SF – A16 – B01**

①            ②            ③            ④            ⑤            ⑥            ⑦

① Vacuum port orientation	② Suction cup diameter	③ Suction cup types	④ Suction cup layers
T - Vertical	20-Φ20 25-Φ25 32-Φ32 40-Φ40 50-Φ50	JT - Accordion-type	5 - 5.5
⑤ Suction cup material	⑥ Guide bushing external thread	⑦ Vacuum port connection	
SF - Blue transparent silicone rubber	blank - No installation thread A16 - M16x1.0 A20 - M20x1.0	Table 1	

Table 1

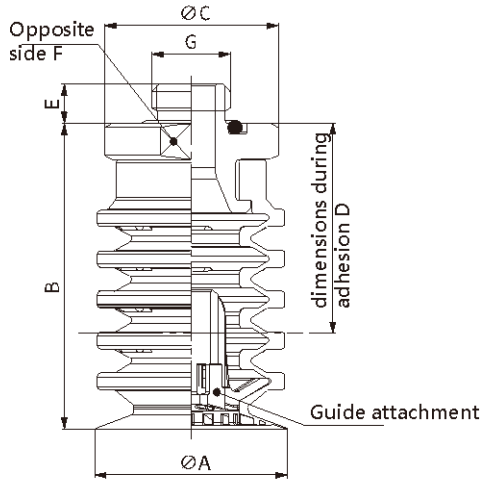
		Model	Specifications	Ø20~25	Ø32~50
Guide bushing external thread	External thread	A16	M16×1.0	●	—
		A20	M20×1.0	—	●
Vacuum port connection	External thread	AG01	G1/8	●	—
		AG02	G1/4	—	●
		BG01	G1/8	●	—
	Internal thread	BG02	G1/4	—	●
		B01	Rc1/8	●	—
		B02	Rc1/4	—	●
Quick connector		08	8mm	●	—
		10	10mm	—	●

Specifications

Operating temperature range	0~90°C	
Suction cup	Material	German-imported food-grade silicone rubber
	Color	Blue
	Hardness HS(±5°)	A40/S
Guide attachment	Material	Synthetic resin
	Color	White

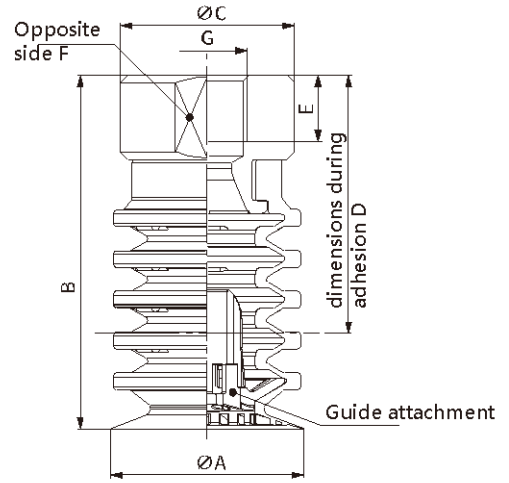
## Dimensions

### External thread connection



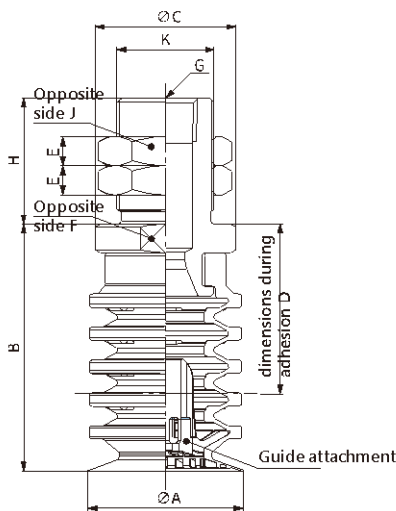
Model	Threaded connection	ØA	B	ØC	D	E	F	G
AZP3P-T20	AG01	20	35.2	18	25.2	5.5	17	G1/8
AZP3P-T25		25	39		27			
AZP3P-T32	AG02	32	51	29	35	6.5	27	G1/4
AZP3P-T40		40	57.5		37.5			
AZP3P-T50		50	65		39			

### Internal thread connection



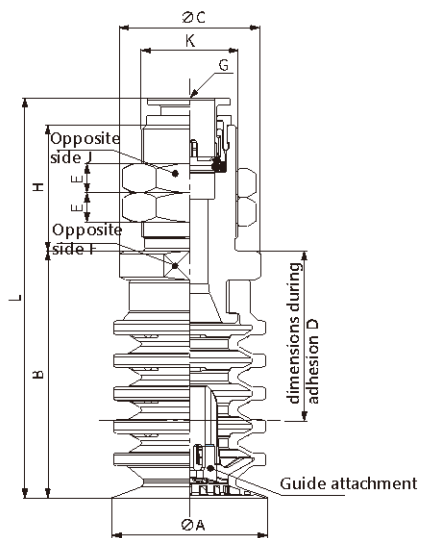
Model	Threaded connection	ØA	B	ØC	D	E	F	G
AZP3P-T20	BG01	20	42.2	18	32.2	7.4	17	G1/8
AZP3P-T25		25	46		34			
AZP3P-T32	BG02	32	59	29	43	11	27	G1/4
AZP3P-T40		40	65.5		45.5			
AZP3P-T50		50	73		47			

### Installation of internal thread partition



Model	Guide bushing external thread	Threaded connection	ØA	B	ØC	D	E	F	G	H	J	K
AZP3P-T20	A16	AG01	20	35.2	18	25.2	3.5	17	Rc1/8	22	19	M16×1
AZP3P-T25			25	39		27						
AZP3P-T32	A20	AG02	32	51	29	35	4.5	27	Rc1/4	26	24	M20×1
AZP3P-T40			40	57.5		37.5						
AZP3P-T50			50	65		39						

### Installation of quick connector partition



Model	Guide bushing external thread	Vacuum interface	ØA	B	ØC	D	E	F	G	H	J	K	L
AZP3P-T20	A16	Ø8	20	35.2	18	25.2	3.5	17	8	22	19	M16×1	62.1
AZP3P-T25			25	39		27							65.9
AZP3P-T32	A20	Ø10	32	51	29	35	4.5	27	10	26	24	M20×1	82.4
AZP3P-T40			40	57.5		37.5							88.9
AZP3P-T50			50	65		39							96.4