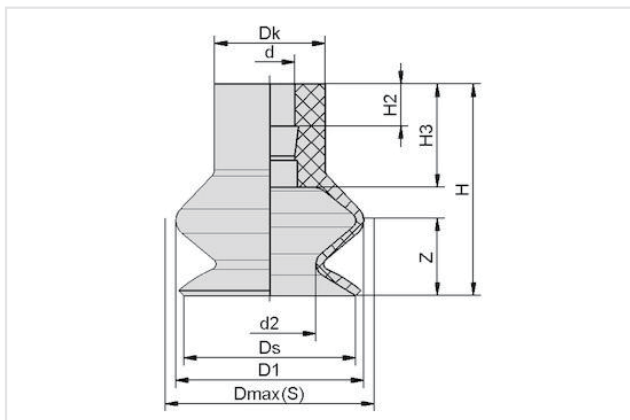


Bellows suction cup (round) with optimal adaptation to uneven surfaces



Size: 11
Suction cup material: Silicone SI metal detectable
Material hardness [Shore A]: 55 Shore A

Design Data



Attribute	Value
d	4.50 mm
d2	5 mm
dk	10 mm
Dmax(S)	13 mm
Ds	10.40 mm
D1	12 mm
H	16 mm
H2	3.80 mm
H3	9.30 mm
Z (Stroke)	4 mm

Note: Acceptable dimensional tolerances for elastomer parts concerning to DIN ISO 3302-1 M3

Technical Data

Attribute	Value
Number of folds	1.50
Size	11
Suction cup material	Silicone SI metal detectable
Suction force (-600mbar)	1.20 N
Product family	FGA

Accessories



SA-NIP N016 G1/8-AG DN350

Part no...:10.01.06.05735

Nipple family: N 016

Thread G1: G1/8"-M

Length L1: 20 mm

Fitting length: 6 mm

Nominal diameter dn: 3.5 mm

Material: Aluminum



SA-NIP N016 G1/8-IG DN350

Part no...:10.01.06.05731

Nipple family: N 016

Thread G1: G1/8"-F

Length L1: 18.5 mm

Fitting length: 12 mm

Nominal diameter dn: 3.5 mm

Material: Aluminum



SA-NIP N016 M5-AG DN250

Part no...:10.01.06.00123

Nipple family: N 016

Thread G1: M5-M

Length L1: 16 mm

Fitting length: 5 mm

Nominal diameter dn: 2.5 mm

Material: Aluminum



SA-NIP N016 M5-AG DN250

Part no...:10.01.06.04365

Nipple family: N 016

Thread G1: M5-M

Length L1: 16 mm

Fitting length: 5 mm

Nominal diameter dn: 2.5 mm

Spanner size SW2: 3 mm

Material: Aust. Stainless steel



SA-NIP N016 M5-IG DN310

Part no...:10.01.06.04689

Nipple family: N 016

Thread G1: M5-F

Length L1: 16 mm

Fitting length: 10 mm

Nominal diameter dn: 3.1 mm

Spanner size SW2: 3 mm

Material: Aust. Stainless steel



SA-NIP N016 G1/8-AG DN310

Part no...:10.01.06.04062

Nipple family: N 016

Thread G1: G1/8"-M

Length L1: 20 mm

Fitting length: 6 mm

Nominal diameter dn: 3.1 mm

Spanner size SW2: 3 mm

Material: Aust. Stainless steel



SA-NIP N016 G1/8-IG DN310

Part no...:10.01.06.04690

Nipple family: N 016

Thread G1: G1/8"-F

Length L1: 18.5 mm

Fitting length: 12 mm

Nominal diameter dn: 3.1 mm

Material: Aust. Stainless steel



SPI 11 PEEK

Part no...:10.01.06.03281

Size: 11

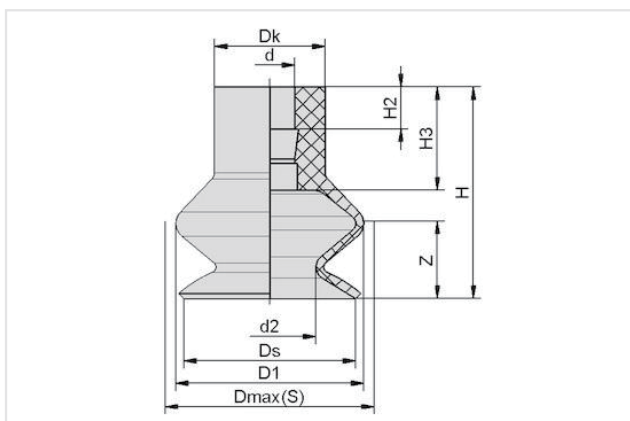
Material: Polyetheretherketon

Bellows suction cup (round) with optimal adaptation to uneven surfaces



Size: 14
Suction cup material: Silicone SI metal detectable
Material hardness [Shore A]: 55 Shore A
Material characteristics: FDA-compatible
Number of folds: 1.5

Design Data



Attribute	Value
d	4.50 mm
d2	5 mm
D1	13.70 mm
Dk	10 mm
Dmax(S)	14.50 mm
Ds	12.50 mm
H	15.50 mm
H2	3.80 mm
H3	8.50 mm
Z (Stroke)	5 mm

Note: Acceptable dimensional tolerances for elastomer parts concerning to DIN ISO 3302-1 M3

Technical Data

Attribute	Value
Number of folds	1.50
Suction force (-600mbar)	1.20 N
Size	14
Suction cup material	Silicone SI metal detectable
Weight	1.10 g
Curve radius (min) (convex)	12.50 mm
Product family	FGA

Accessories



SA-NIP N016 G1/8-AG DN310

Part no...:10.01.06.04062

Nipple family: N 016

Thread G1: G1/8"-M

Length L1: 20 mm

Fitting length: 6 mm

Nominal diameter dn: 3.1 mm

Spanner size SW2: 3 mm

Material: Aust. Stainless steel



SA-NIP N016 M5-AG DN250

Part no...:10.01.06.04365

Nipple family: N 016

Thread G1: M5-M

Length L1: 16 mm

Fitting length: 5 mm

Nominal diameter dn: 2.5 mm

Spanner size SW2: 3 mm

Material: Aust. Stainless steel



SA-NIP N016 M5-IG DN310

Part no...:10.01.06.04689

Nipple family: N 016

Thread G1: M5-F

Length L1: 16 mm

Fitting length: 10 mm

Nominal diameter dn: 3.1 mm

Spanner size SW2: 3 mm

Material: Aust. Stainless steel



SA-NIP N016 G1/8-IG DN310

Part no...:10.01.06.04690

Nipple family: N 016

Thread G1: G1/8"-F

Length L1: 18.5 mm

Fitting length: 12 mm

Nominal diameter dn: 3.1 mm

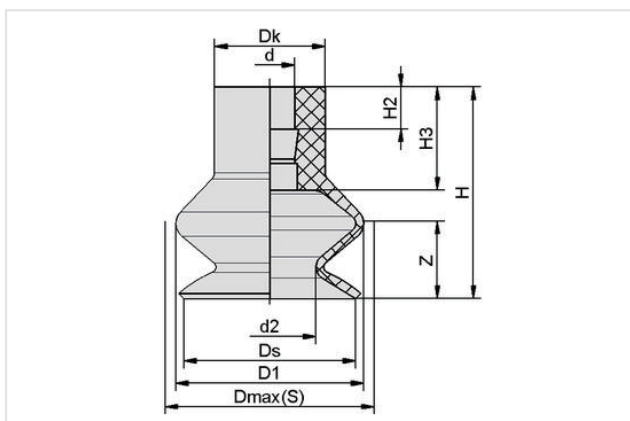
Material: Aust. Stainless steel

Bellows suction cup (round) with optimal adaptation to uneven surfaces



Size: 16
Suction cup material: Silicone SI metal detectable
Material hardness [Shore A]: 55 Shore A
Material characteristics: FDA-compatible
Number of folds: 1.5

Design Data



Attribute	Value
d	4.50 mm
d2	8.40 mm
D1	17 mm
Dk	10 mm
Dmax(S)	18.50 mm
Ds	15.60 mm
H	19.20 mm
H2	3.80 mm
H3	9.40 mm
Z (Stroke)	6.70 mm

Note: Acceptable dimensional tolerances for elastomer parts concerning to DIN ISO 3302-1 M3

Technical Data

Attribute	Value
Number of folds	1.50
Suction force (-600mbar)	2.30 N
Size	16
Suction cup material	Silicone SI metal detectable
Weight	1.30 g
Curve radius (min) (convex)	7 mm
Product family	FGA

Accessories



SA-NIP N016 G1/8-AG DN310

Part no...:10.01.06.04062

Nipple family: N 016

Thread G1: G1/8"-M

Length L1: 20 mm

Fitting length: 6 mm

Nominal diameter dn: 3.1 mm

Spanner size SW2: 3 mm

Material: Aust. Stainless steel



SA-NIP N016 M5-AG DN250

Part no...:10.01.06.04365

Nipple family: N 016

Thread G1: M5-M

Length L1: 16 mm

Fitting length: 5 mm

Nominal diameter dn: 2.5 mm

Spanner size SW2: 3 mm

Material: Aust. Stainless steel



SA-NIP N016 M5-IG DN310

Part no...:10.01.06.04689

Nipple family: N 016

Thread G1: M5-F

Length L1: 16 mm

Fitting length: 10 mm

Nominal diameter dn: 3.1 mm

Spanner size SW2: 3 mm

Material: Aust. Stainless steel



SA-NIP N016 G1/8-IG DN310

Part no...:10.01.06.04690

Nipple family: N 016

Thread G1: G1/8"-F

Length L1: 18.5 mm

Fitting length: 12 mm

Nominal diameter dn: 3.1 mm

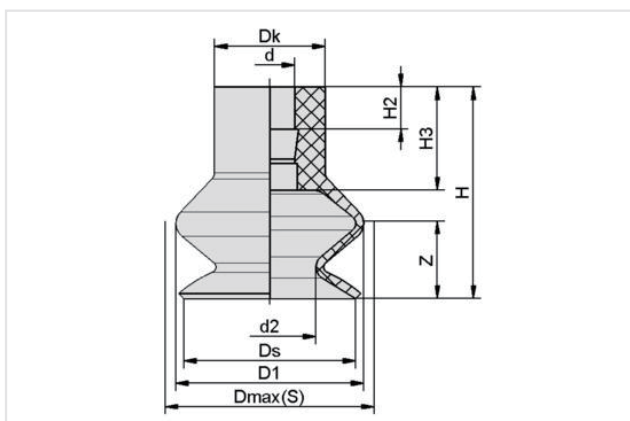
Material: Aust. Stainless steel

Bellows suction cup (round) with optimal adaptation to uneven surfaces



Size: 20
Suction cup material: Silicone SI metal detectable
Material hardness [Shore A]: 55 Shore A
Material characteristics: FDA-compatible
Number of folds: 1.5

Design Data



Attribute	Value
d	4.50 mm
d2	11 mm
D1	19.90 mm
Dk	10 mm
Dmax(S)	21 mm
Ds	18.10 mm
H	15.20 mm
H2	3.80 mm
H3	8.70 mm
Z (Stroke)	4.40 mm

Note: Acceptable dimensional tolerances for elastomer parts concerning to DIN ISO 3302-1 M3

Technical Data

Attribute	Value
Number of folds	1.50
Suction force (-600mbar)	4.70 N
Size	20
Suction cup material	Silicone SI metal detectable
Weight	1.50 g
Curve radius (min) (convex)	8.50 mm
Product family	FGA

Accessories



SA-NIP N016 G1/8-AG DN310

Part no...:10.01.06.04062

Nipple family: N 016

Thread G1: G1/8"-M

Length L1: 20 mm

Fitting length: 6 mm

Nominal diameter dn: 3.1 mm

Spanner size SW2: 3 mm

Material: Aust. Stainless steel



SA-NIP N016 M5-AG DN250

Part no...:10.01.06.04365

Nipple family: N 016

Thread G1: M5-M

Length L1: 16 mm

Fitting length: 5 mm

Nominal diameter dn: 2.5 mm

Spanner size SW2: 3 mm

Material: Aust. Stainless steel



SA-NIP N016 M5-IG DN310

Part no...:10.01.06.04689

Nipple family: N 016

Thread G1: M5-F

Length L1: 16 mm

Fitting length: 10 mm

Nominal diameter dn: 3.1 mm

Spanner size SW2: 3 mm

Material: Aust. Stainless steel



SA-NIP N016 G1/8-IG DN310

Part no...:10.01.06.04690

Nipple family: N 016

Thread G1: G1/8"-F

Length L1: 18.5 mm

Fitting length: 12 mm

Nominal diameter dn: 3.1 mm

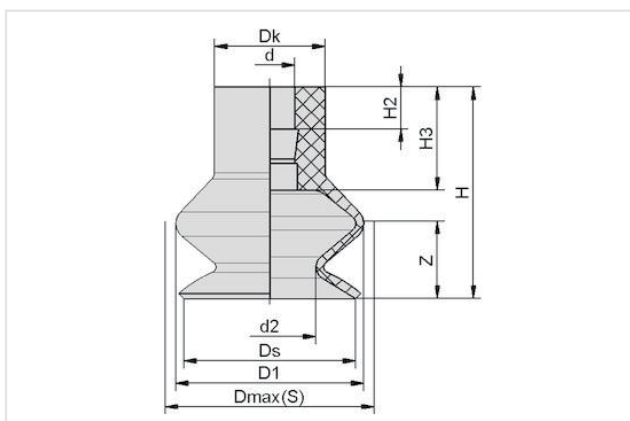
Material: Aust. Stainless steel

Bellows suction cup (round) with optimal adaptation to uneven surfaces



Size: 22
Suction cup material: Silicone SI metal detectable
Material hardness [Shore A]: 55 Shore A

Design Data



Attribute	Value
d	4.50 mm
d2	11.70 mm
Dk	10 mm
Dmax(S)	25 mm
Ds	21.50 mm
D1	24.20 mm
H	19 mm
H2	3.80 mm
H3	9.10 mm
Z (Stroke)	6 mm

Note: Acceptable dimensional tolerances for elastomer parts concerning to DIN ISO 3302-1 M3

Technical Data

Attribute	Value
Number of folds	1.50
Size	22
Suction cup material	Silicone SI metal detectable
Suction force (-600mbar)	5.70 N
Product family	FGA

Accessories



SA-NIP N016 G1/8-AG DN310

Part no...:10.01.06.04062

Nipple family: N 016

Thread G1: G1/8"-M

Length L1: 20 mm

Fitting length: 6 mm

Nominal diameter dn: 3.1 mm

Spanner size SW2: 3 mm

Material: Aust. Stainless steel



SA-NIP N016 M5-AG DN250

Part no...:10.01.06.04365

Nipple family: N 016

Thread G1: M5-M

Length L1: 16 mm

Fitting length: 5 mm

Nominal diameter dn: 2.5 mm

Spanner size SW2: 3 mm

Material: Aust. Stainless steel



SA-NIP N016 M5-IG DN310

Part no...:10.01.06.04689

Nipple family: N 016

Thread G1: M5-F

Length L1: 16 mm

Fitting length: 10 mm

Nominal diameter dn: 3.1 mm

Spanner size SW2: 3 mm

Material: Aust. Stainless steel



SA-NIP N016 G1/8-IG DN310

Part no...:10.01.06.04690

Nipple family: N 016

Thread G1: G1/8"-F

Length L1: 18.5 mm

Fitting length: 12 mm

Nominal diameter dn: 3.1 mm

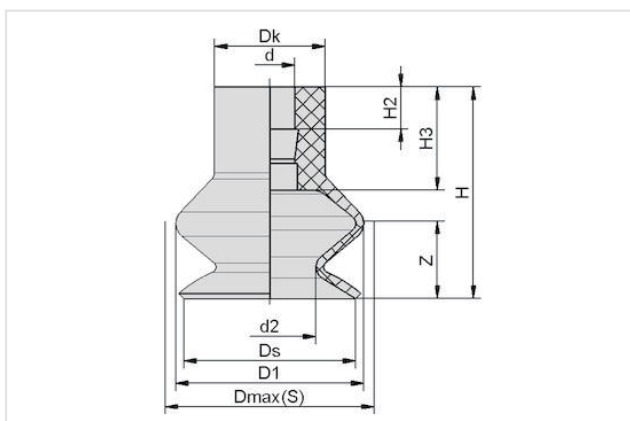
Material: Aust. Stainless steel

Bellows suction cup (round) with optimal adaptation to uneven surfaces



Size: 25
Suction cup material: Silicone SI metal detectable
Material hardness [Shore A]: 55 Shore A

Design Data



Attribute	Value
d	4.50 mm
d2	9.90 mm
dk	10 mm
Dmax(S)	26.50 mm
Ds	22.50 mm
D1	25 mm
H	23 mm
H2	3.80 mm
H3	8.90 mm
Z (Stroke)	8.10 mm

Note: Acceptable dimensional tolerances for elastomer parts concerning to DIN ISO 3302-1 M3

Technical Data

Attribute	Value
Number of folds	1.50
Size	25
Suction cup material	Silicone SI metal detectable
Suction force (-600mbar)	5.30 N
Product family	FGA

Accessories



SA-NIP N016 G1/8-AG DN310

Part no...:10.01.06.04062

Nipple family: N 016

Thread G1: G1/8"-M

Length L1: 20 mm

Fitting length: 6 mm

Nominal diameter dn: 3.1 mm

Spanner size SW2: 3 mm

Material: Aust. Stainless steel



SA-NIP N016 M5-AG DN250

Part no...:10.01.06.04365

Nipple family: N 016

Thread G1: M5-M

Length L1: 16 mm

Fitting length: 5 mm

Nominal diameter dn: 2.5 mm

Spanner size SW2: 3 mm

Material: Aust. Stainless steel



SA-NIP N016 M5-IG DN310

Part no...:10.01.06.04689

Nipple family: N 016

Thread G1: M5-F

Length L1: 16 mm

Fitting length: 10 mm

Nominal diameter dn: 3.1 mm

Spanner size SW2: 3 mm

Material: Aust. Stainless steel



SA-NIP N016 G1/8-IG DN310

Part no...:10.01.06.04690

Nipple family: N 016

Thread G1: G1/8"-F

Length L1: 18.5 mm

Fitting length: 12 mm

Nominal diameter dn: 3.1 mm

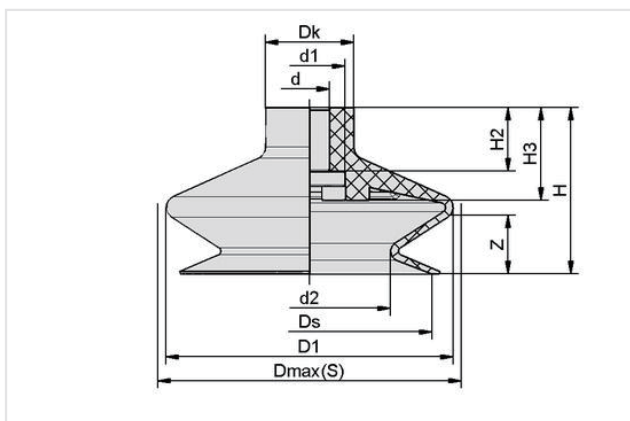
Material: Aust. Stainless steel

Bellows suction cup (round) with optimal adaptation to uneven surfaces



Size: 33
Suction cup material: Silicone SI metal detectable
Material hardness [Shore A]: 55 Shore A
Material characteristics: FDA-compatible
Number of folds: 1.5

Design Data



Attribute	Value
d	8 mm
d1	16 mm
d2	17 mm
D1	36 mm
Dk	18 mm
Dmax(S)	38 mm
Ds	30 mm
H	27 mm
H2	13 mm
H3	14 mm
Z (Stroke)	9 mm

Note: Acceptable dimensional tolerances for elastomer parts concerning to DIN ISO 3302-1 M3

Technical Data

Attribute	Value
Number of folds	1.50
Suction force (-600mbar)	13.60 N
Size	33
Suction cup material	Silicone SI metal detectable
Weight	6.80 g
Curve radius (min) (convex)	40 mm
Product family	FGA