



FGB-R Bellows Suction Cups for Packaging

Size: 52×25 mm

Material: N、S



Packaging

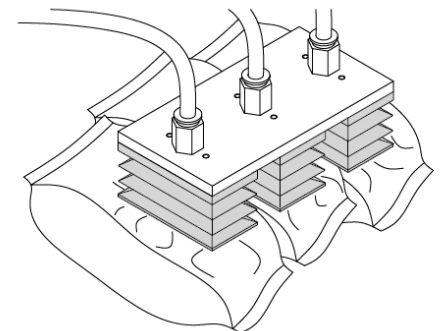


Introduction

- Large area rectangular suction surface, very suitable for rectangular workpiece
- Soft and flexible corrugated structure, easy to fit the workpiece with uneven and non-rigid surface
- Flexible, easy to fit the workpiece sealing lip, for irregular and wrinkled surface
- Supporting frame which can be installed in the corrugation, provides the stability of the corrugation of the suction cup

Application

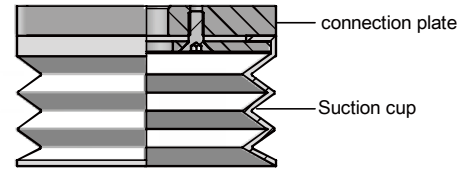
- 2.5 fold rectangular corrugated sucker is suitable for handling rectangular packaging materials with irregular surface
- Suitable for carrying film packaging, plastic bags and easily folded packaging
- Suitable for handling non-rigid workpieces and packaging materials that may be deformed during handling
- According to the actual situation, the supporting frame can be selected





Structure

- Rectangular bellows suction cup FGB-R with single sealing lip, consisting of suction cup FGB-R and connection plates
- Very adaptable geometry and soft, flexible sealing lip
- Suction cup is securely clamped between connection plates; screw connection of the cup side permits simple, in-situ replacement of cup
- Supporting frames (available as accessories) can optionally be mounted in one or more of the corrugations



purchase guide

FGB-R 52× 25 N50 G1/8-IG

① ② ③ ④

① Product series	② Size specification	③ Material and Shore hardness	④ Joint specification
FGB-R	52× 25 - (L× W) 52× 25mm	N50 - nitrile rubber - 50° S50 - silicone rubber - 50°	Null - Bare suction cup G1/8-IG - G1/8 female thread

fittings' model specifications

Fitting Name	Model Specification	Applicable Suction Cup
Support frame	FGB-R ZHKJ	FGB-R 52× 25...

Technical parameters

Model	Suction force N	Internal Volume cm ³	Fold number	Weight g
FGB-R 52× 25...	20	16	2.5	51



Design parameters

