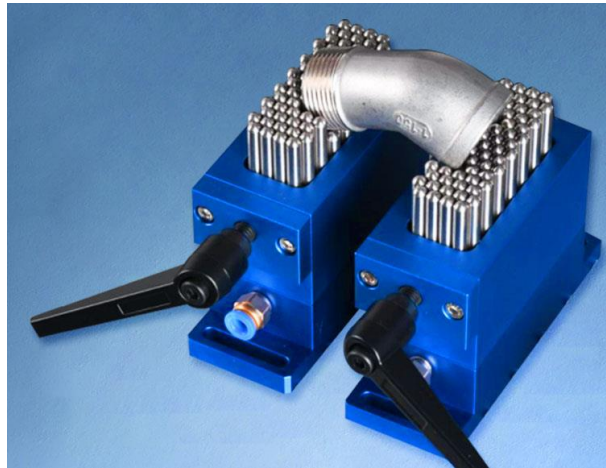




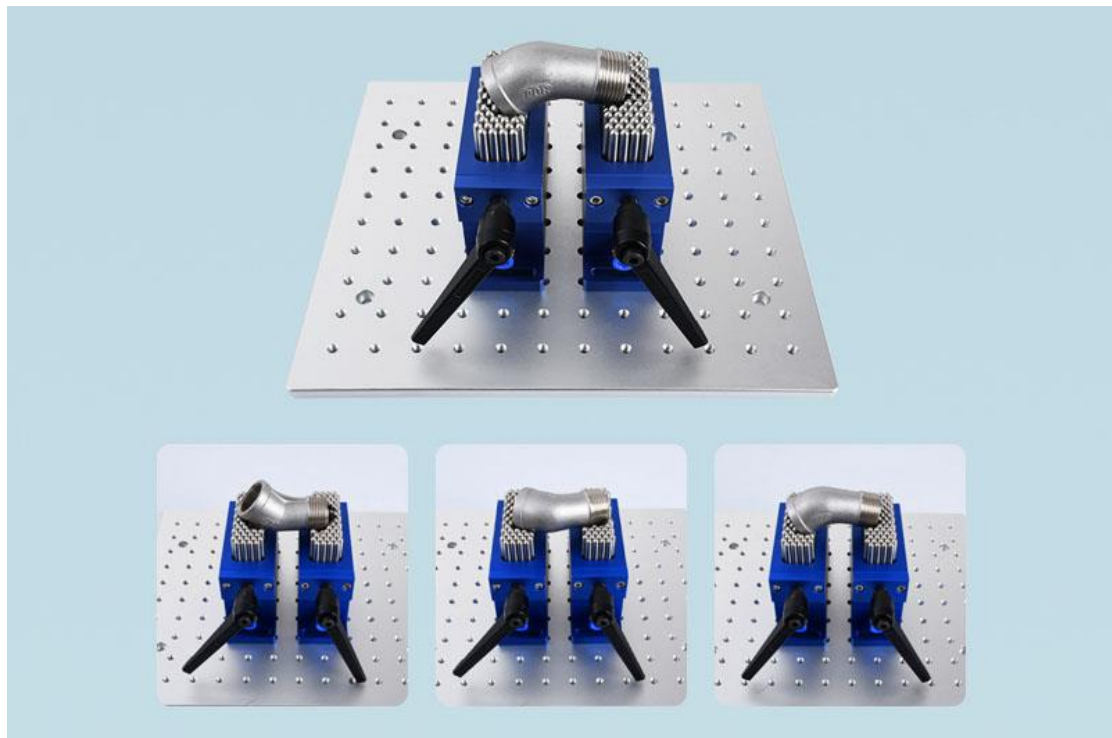
Flexible Fixture

Flexible Universal Fixture
Applicable for: Laser Marking
Machines, CNC, Assembly,
Coordinate Measuring Machines,
Automation



Adaptive arbitrary shape

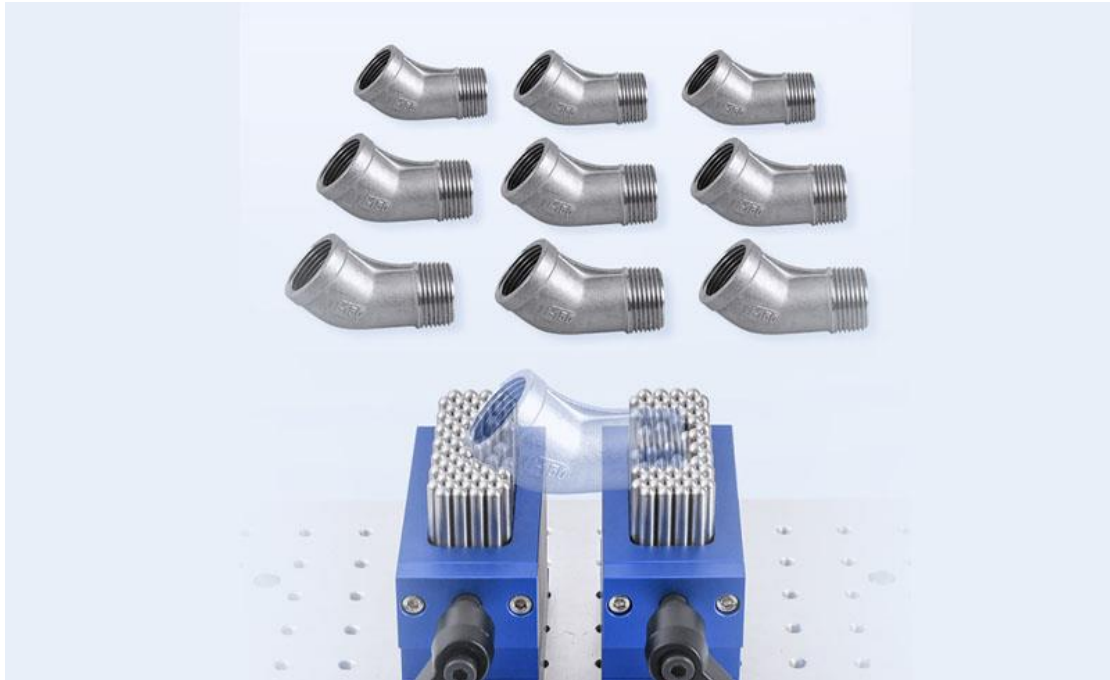
It can be shaped into any form based on the product's shape and once locked, it secures the replicated shape.





Accurate repeat positioning

After placement, every position remains consistent with no front, back, or side gaps!



No harm to the product

It doesn't damage the workpiece; the exquisite craftsmanship ensures excellent quality! The head is equipped with a mirror-finished stainless steel pin, smooth and rounded, effectively preventing workpiece damage.



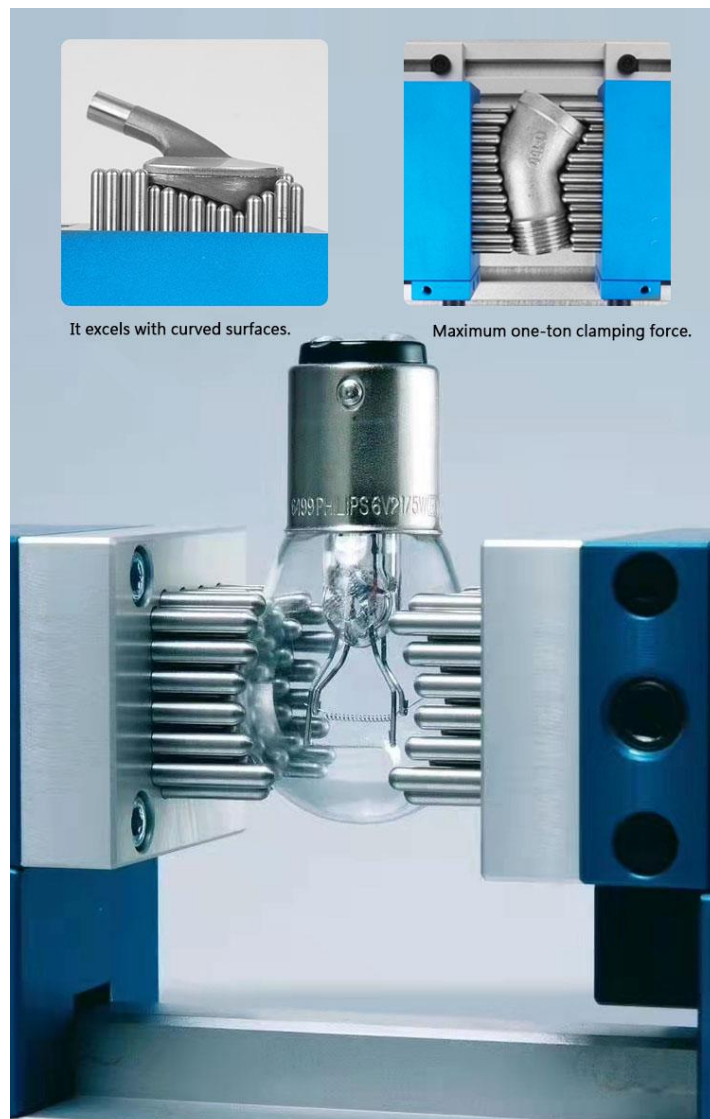


All antirust material






The needle tip is made of 304 stainless steel, while the remaining components are constructed from stainless steel or high-strength aluminum, ensuring long-lasting, corrosion-free use!

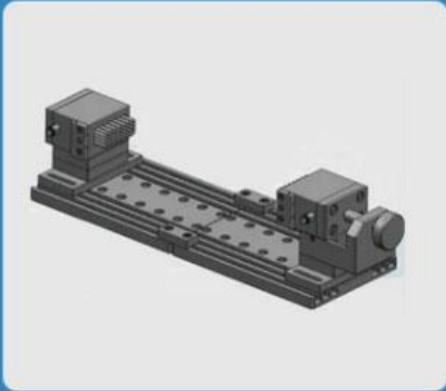


Each steel needle can extend and retract independently. After firmly clamping with the black handle, the fixture takes its final form.

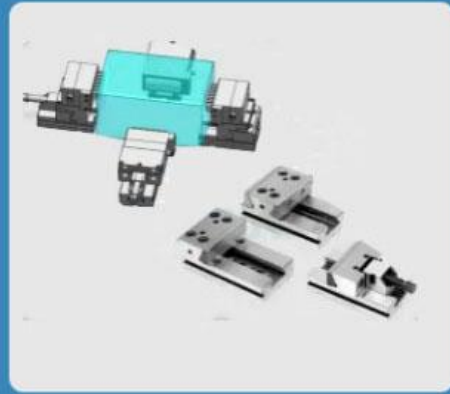




				
Laser Marking Machine	Assembly	CNC	Coordinate Measuring Machine	Automation



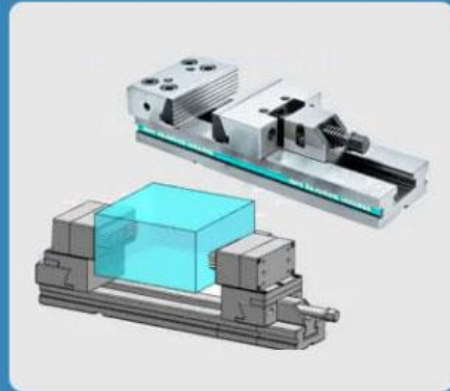
Equipped with guide rails for use in three-axis systems, testing, and inspection.



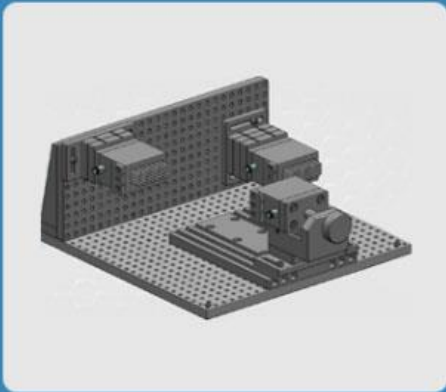
Modular clamp for heavy-duty applications, such as CNC.



Specialized kit for small parts in three-axis systems.



Integral clamp for heavy-duty applications, including CNC.

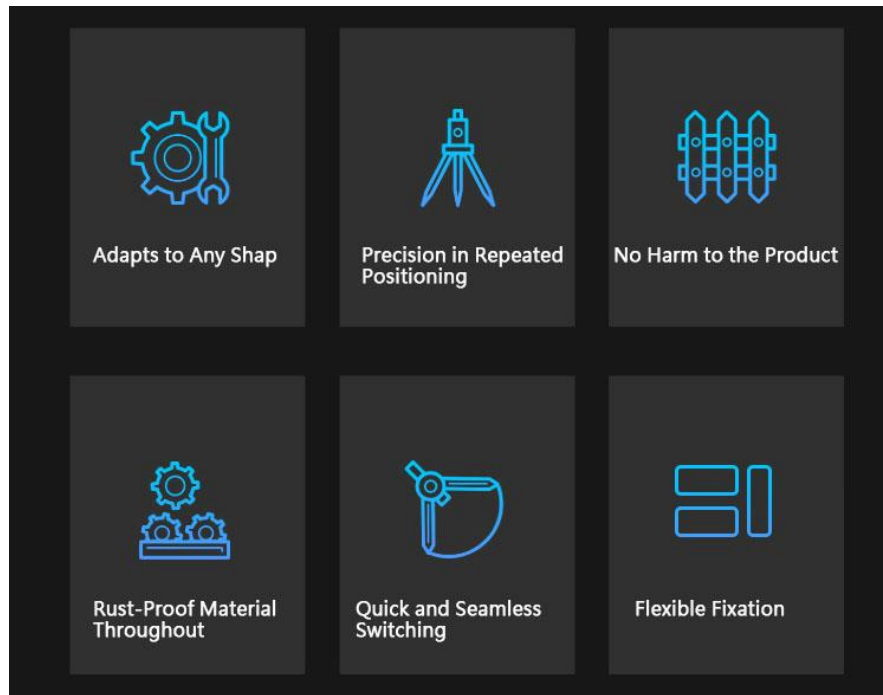


Three-axis testing kit for complex products.



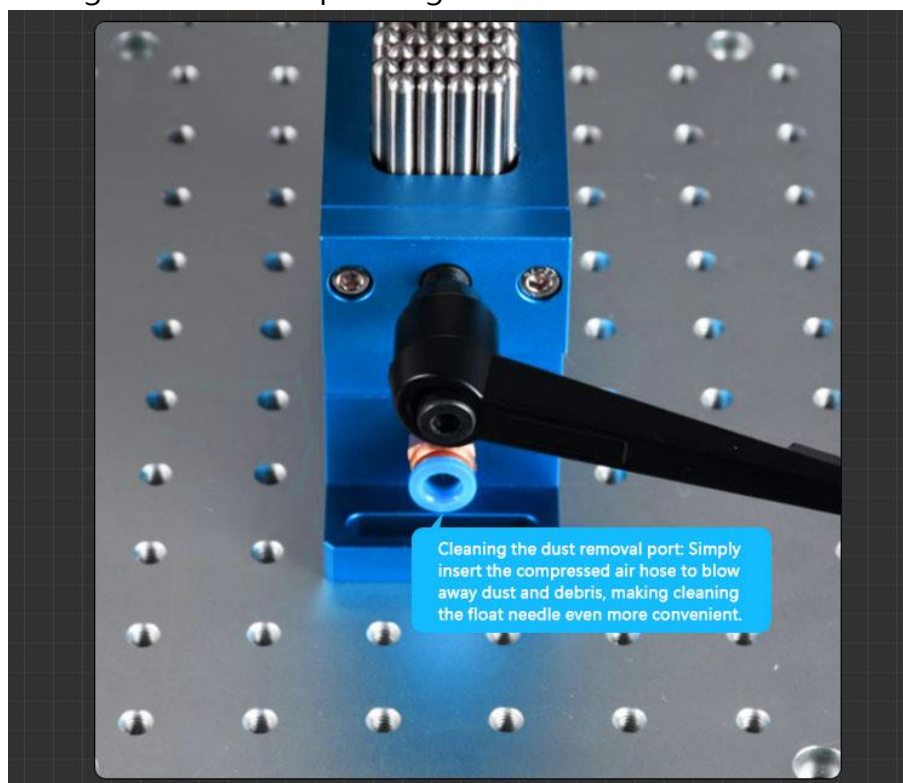
Brand New Upgrade, Your Efficient Permanent Assistant

Comprehensive Upgrade with Six Core Technologies, Delivering an Efficient Upgrade Experience for You



Dust-Free Design for Easy Cleaning, No Residue of Powder or Iron Filings

The dust removal port can be cleaned with compressed air, water, or oil (cleaning time varies depending on the environmental conditions).





Adapts to Any Shape Automatically

Can Mimic Any Shape Based on the Product's Form and Lock It in Place Once Adapted



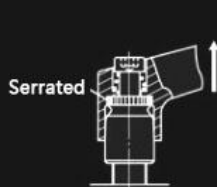


Quick Switching and Multi-Angle Fixation

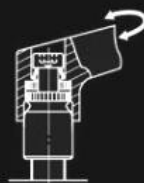
Release the handle to reset the fixture, allowing for repositioning and securing new products.



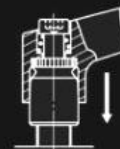
Instructions for Using the Handle



1. If you lift the handle, it disengages from the serration, releasing the hidden lock.



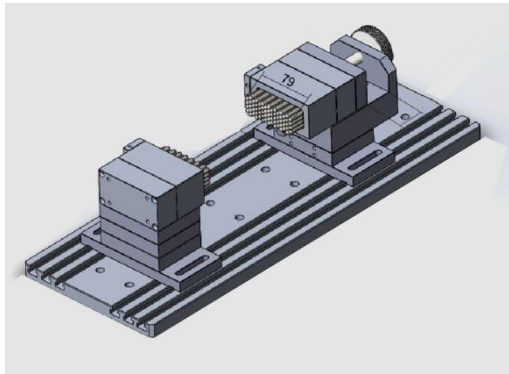
2. The handle in the free state can be moved to any position.



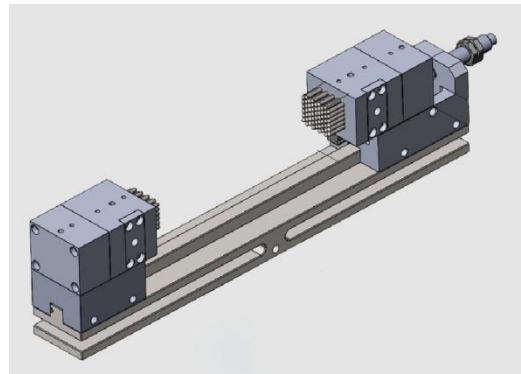
3. If you release the handle, it will lock again by engaging with the serration through the force of a spring.



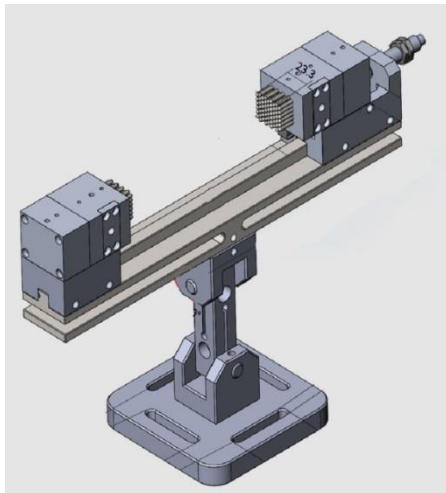
Manual Flexible Fixture



Clamping Module: Suitable for Medium to Large Products



Clamping Module: Suitable for Small Products

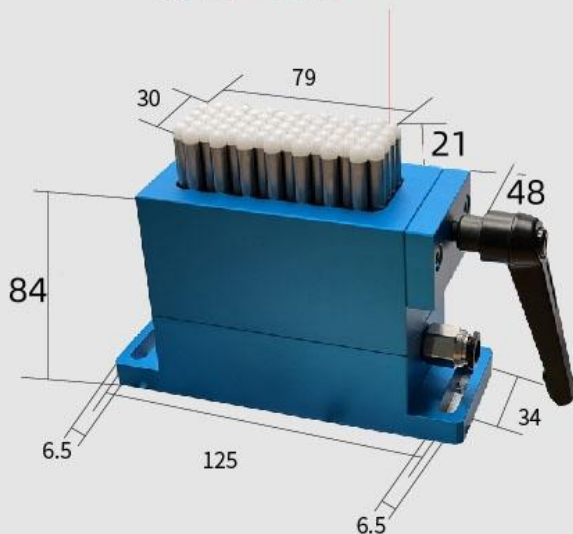


Clamping Module: Universal Adjustable for Small Products

MA21G
Application Environment: Laser Marking
Usage Area: 30x79mm
Load Capacity: 70kg
Pin Needle Stroke: 21mm
Product Weight: 1.4kg
Pin Needle Diameter: 6mm



Material: POM (Polyoxymethylene)
Properties: High hardness, high rigidity,
high wear resistance



Plastic Head

MA21P

Application Environment:
Standard Laser Marking

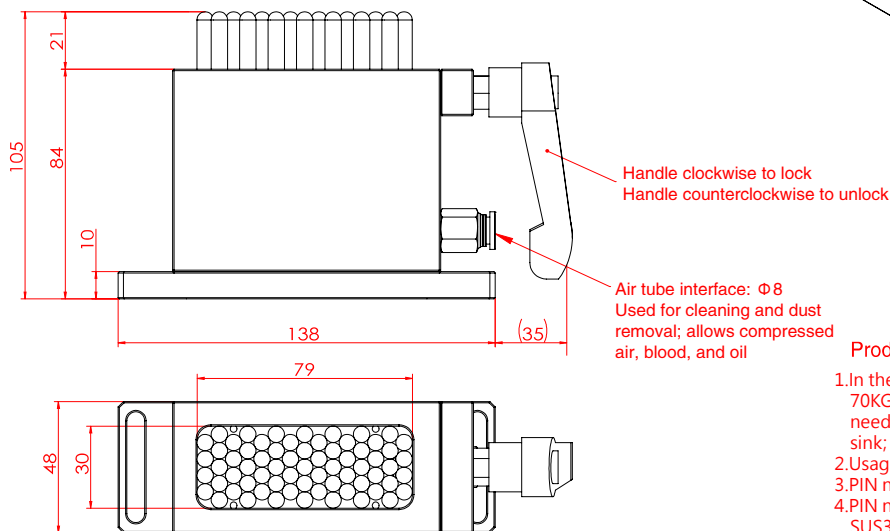
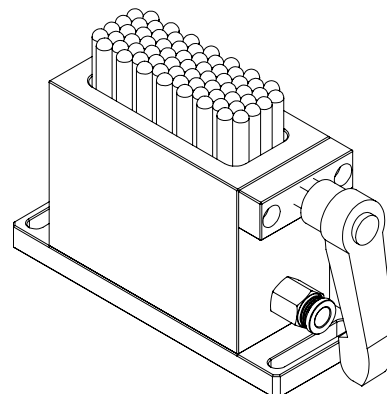
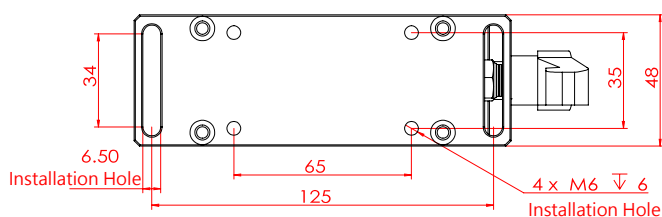
Usage Area: 30x79mm

Load Capacity: 70KG

Pin Needle Stroke: 21mm

Product Weight: 1.4KG


Pin Needle Diameter: 6mm



Product Parameters:

1. In the locked state, the PIN needle can bear a vertical load of 70KG. (A load of 70KG means that if the entire surface of the needle bears more than 70 kilograms of force, the needle will sink; the lateral force is 3-5 times the vertical force.)
2. Usage area: 30x79mm.
3. PIN needle compression stroke: 25mm.
4. PIN needle diameter: 6mm (The steel needle head is made of SUS304, and there is also a plastic head option made of POM material.)
5. In the unlocked vertical state, compressing a single PIN needle to the bottom requires approximately 20 grams of force.
6. The weight of a single product is 1.4KG.

MA21G(P)

MA25G

Application Environment:
Laser Marking

Usage Area: 30x79mm

Load Capacity: 70kg

Pin Needle Stroke:
25mm

Product Weight: 1.4kg

Pin Needle Diameter:
6mm

Plastic Head

Material: POM (Polyoxymethylene)
Properties: High hardness, high rigidity,
high wear resistance



MA25P

Application Environment:
Standard Laser Marking

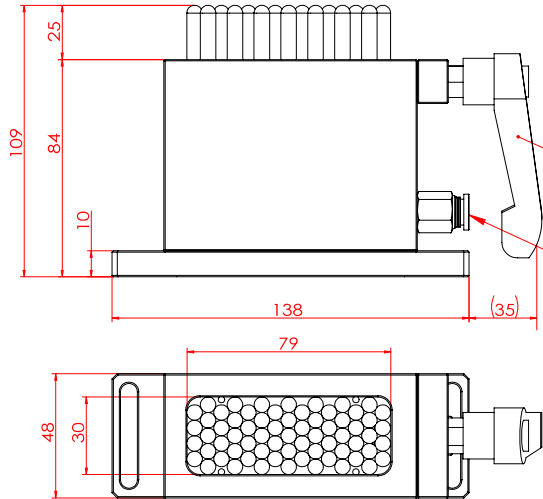
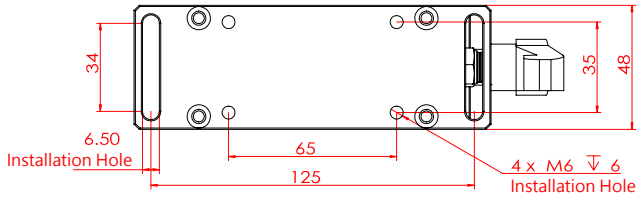
Usage Area: 30x79mm

Load Capacity: 70KG

Pin Needle Stroke: 25mm

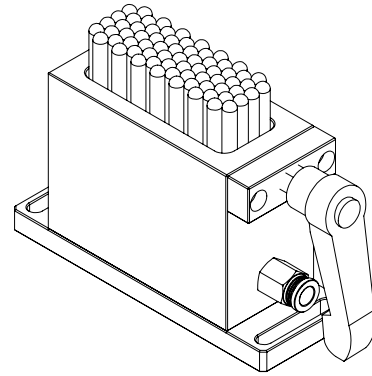
Product Weight: 1.4KG

Pin Needle Diameter: 6mm



Handle clockwise to lock
Handle counterclockwise to unlock

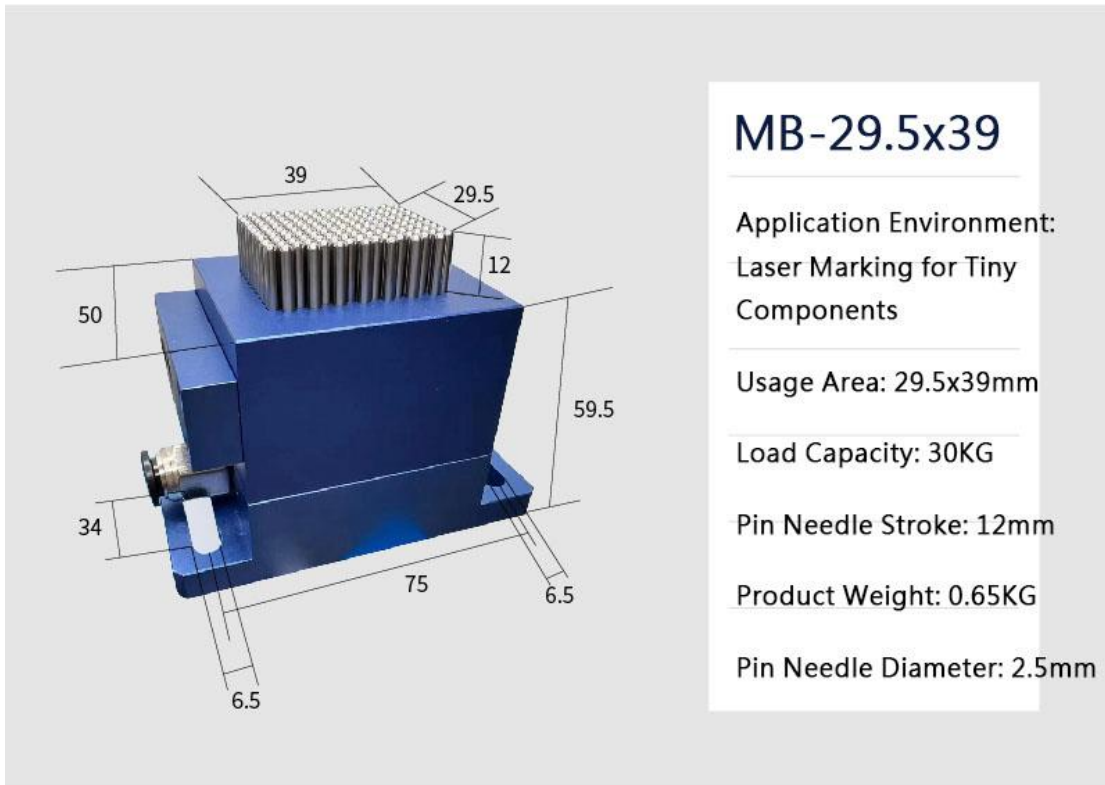
Air tube interface: $\Phi 8$
Used for cleaning and dust removal; allows compressed air, blood, and oil



Product Parameters:

1. In the locked state, the PIN needle can bear a vertical load of 70KG. (A load of 70KG means that if the entire surface of the needle bears more than 70 kilograms of force, the needle will sink; the lateral force is 3-5 times the vertical force.)
2. Usage area: 30X79mm.
3. PIN needle compression stroke: 25mm.
4. PIN needle diameter: 6mm (The steel needle head is made of SUS304, and there is also a plastic head option made of POM material.)
5. In the unlocked vertical state, compressing a single PIN needle to the bottom requires approximately 20 grams of force.
6. The weight of a single product is 1.4KG.

MA25G(P)



MB-29.5x39

Application Environment:
Laser Marking for Tiny Components

Usage Area: 29.5x39mm

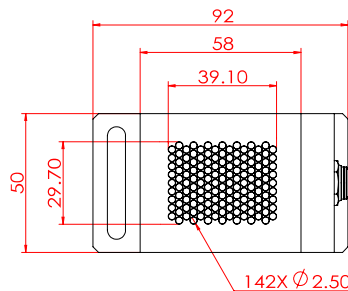
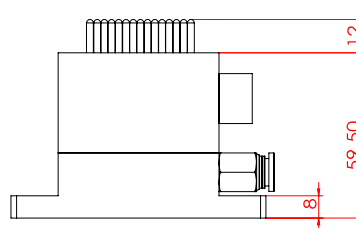
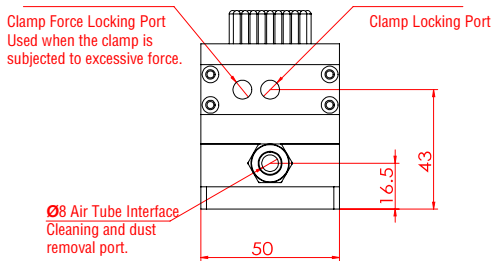
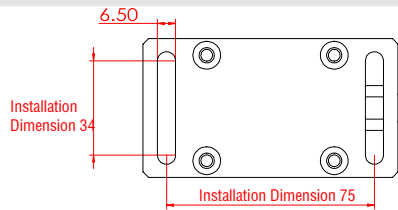
Load Capacity: 30KG

Pin Needle Stroke: 12mm

Product Weight: 0.65KG

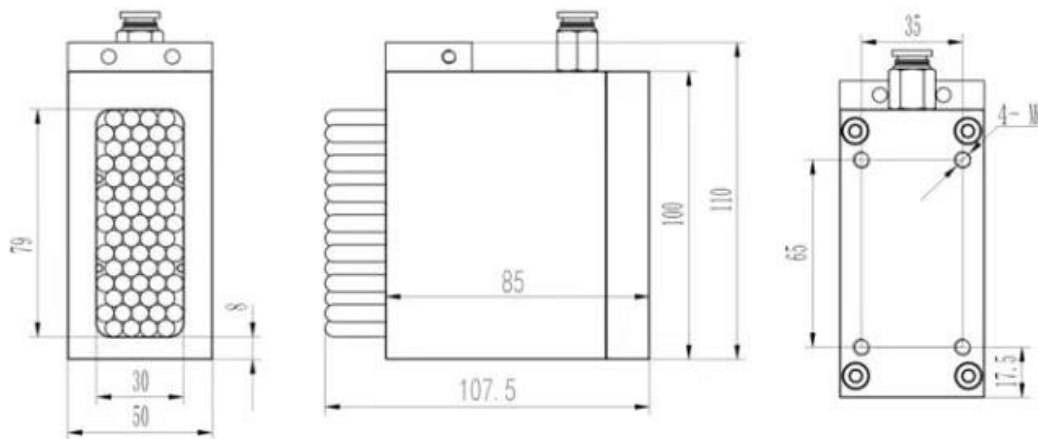
Pin Needle Diameter: 2.5mm

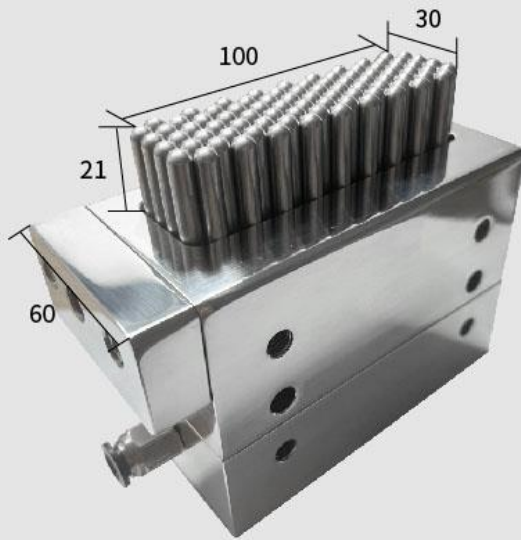
MB



Product Parameters:

1. In the locked state, the PIN needle can bear a vertical load of 30KG. (A load of 30KG means that if the entire surface of the needle bears more than 30 kilograms of force, the needle will sink; the lateral force is 3-5 times the vertical force.)
2. Usage area: 39x29.5mm.
3. PIN needle compression stroke: 12mm.
4. PIN needle diameter: 2.5mm (The steel needle head is made of SUS304)
5. In the unlocked vertical state, compressing a single PIN needle to the bottom requires approximately 20 grams of force.
6. The weight of a single product is 0.65KG.





MD-30x100

Application Environment:
CNC or Other Heavy-Duty
Loads

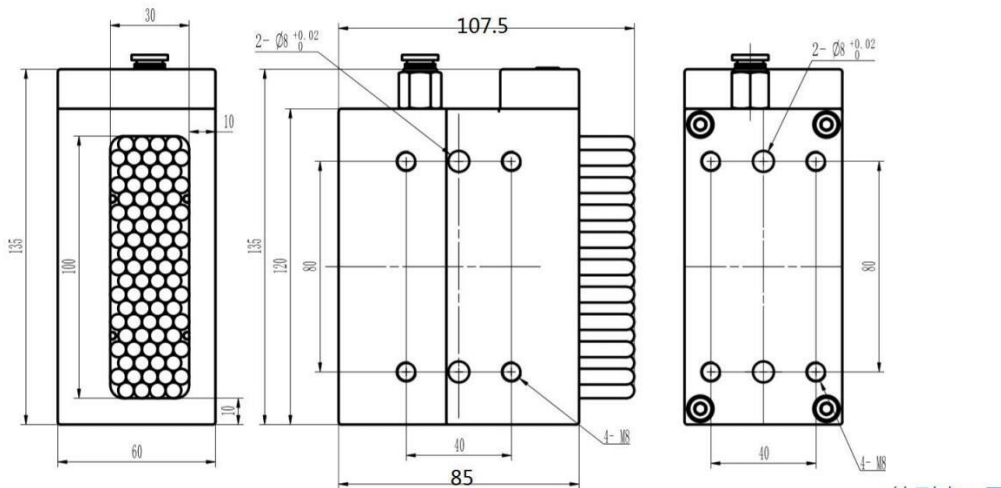
Usage Area: 30x100mm

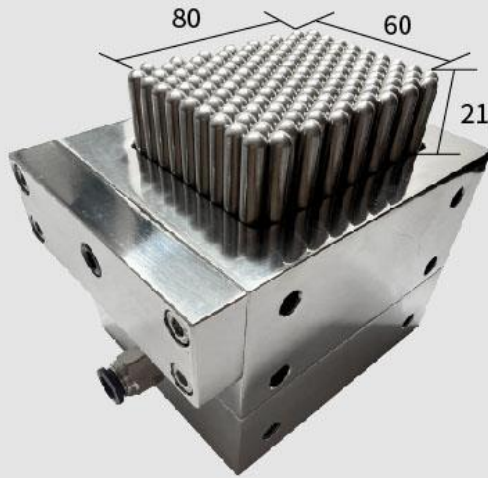
Load Capacity: 650KG

Pin Needle Stroke: 21mm

Product Weight: 4.1KG

Pin Needle Diameter: 6mm





ME-60x80

Application Environment:
CNC or Other Heavy-Duty
Loads

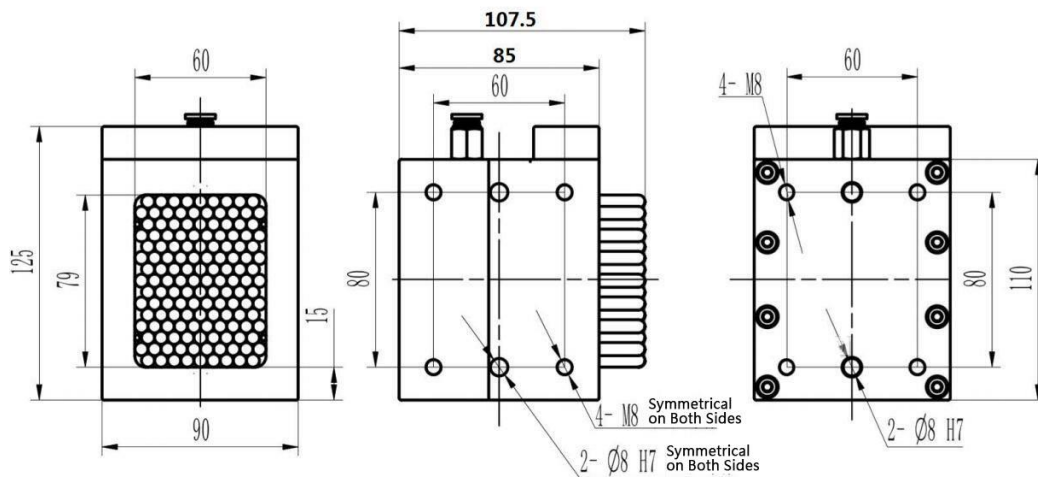
Usage Area: 60x80mm

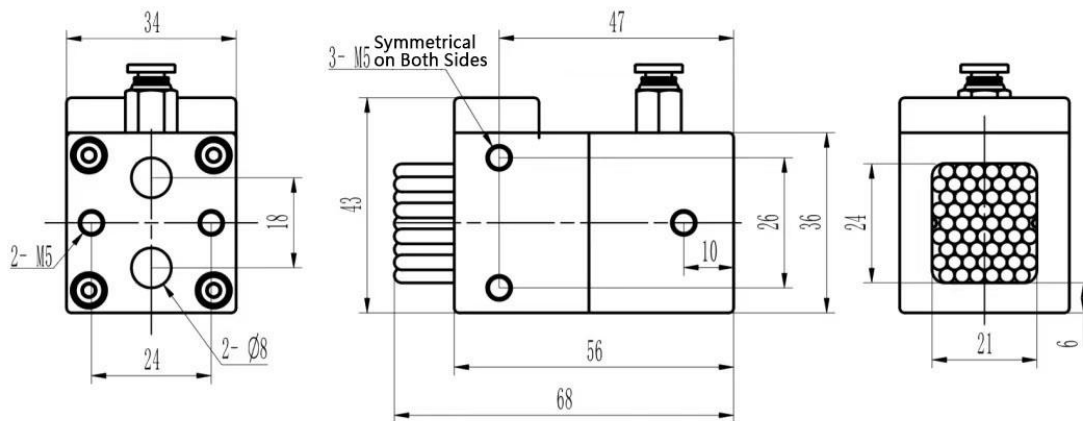
Load Capacity: 980KG

Pin Needle Stroke: 21mm

Product Weight: 5.5KG

Pin Needle Diameter: 6mm







Pneumatic Flexible Fixture



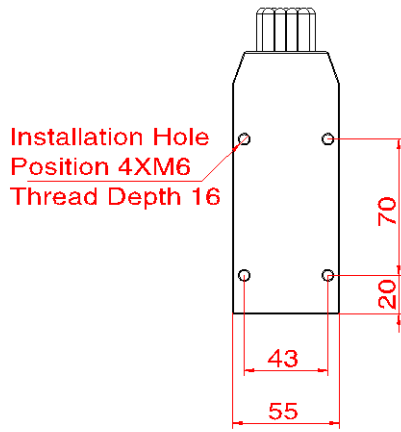
■ PTA : Pneumatic Type 30X79

Technical Description

- The steel needle has a diameter of 6mm with a stroke of 21mm (the steel needle head can be replaced with POM material).
- Permissible air pressure: 0.6Mpa-0.8Mpa.
- The clamp can bear a load of approximately 80 kilograms (This means that when the air pressure is 0.6Mpa, after the clamp is locked by air, if the needle surface bears more than 80KG of vertical force, the needle will sink; if it does not exceed 80KG, the needle will remain stationary. The lateral load is 3 times the vertical load).
- The weight of the clamp is 2.6KG.

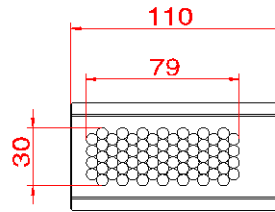
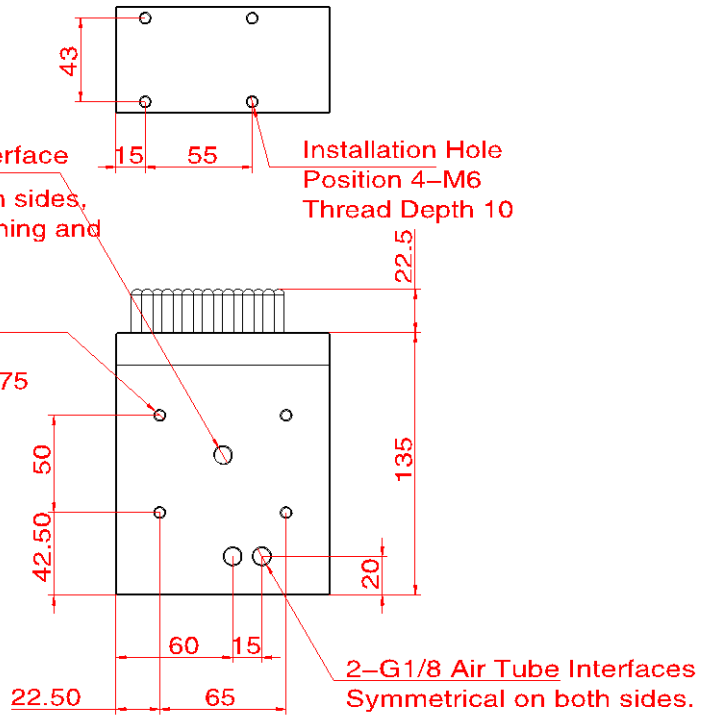


PTA



G1/8 Threaded Interface
Symmetrical on both sides,
used for clamp cleaning and
dust removal.

Installation Hole
Position 4 x M6
Thread Depth 6.75
Symmetrical on
both sides.





■ PTB : Pneumatic Type 48x100

- PIN Needle Area: 100x48mm, Stroke: 40mm
- PIN Needle Diameter: 6mm, with a steel needle head
- Permissible Air Pressure: 6 kg
- Clamp Weight: Approximately 6.5 kg

PTB

