



FSGPL Bellows suction cup

1.5 folds



Sheetmetal



Packaging



Wood

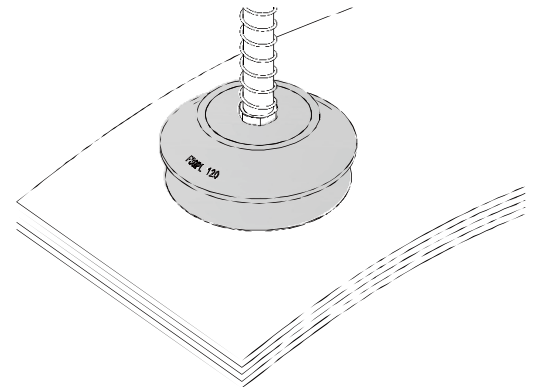


Introduction

- Large diameter suitable for handling of large heavy vulnerable workpieces
- The soft taper lip seal is highly adaptable to workpieces with curved or uneven surfaces
- The 1.5-fold bellows structure can compensate the workpiece height difference and offer good buffering during contact with the workpiece
- With the support structure in the bottom, the handled workpiece will not be deformed permanently or broken
- The rubber elements and metal connecting plate are integrated

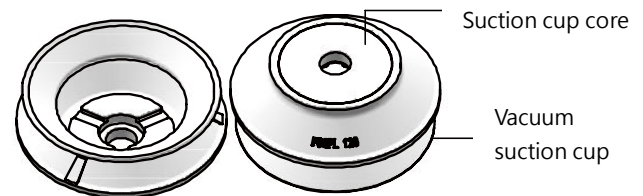
Application

- Handles cartons, metal sheets, wood boards, and glass and ceramic products
- Handles workpieces with uneven surfaces (the soft lip seal has a high adaptability)



Structure

- The FSGPL suction cup has a 1.5-fold bellows structure. The suction cup pad is fixed to the aluminum holding plate by vulcanization
- FSGPL bellows suction cup (1.5 folds) A female threaded interface in the aluminum holding plate
- A rubber pad under the holding plate



purchase guide

FSGPL 100 N G1/2-IG

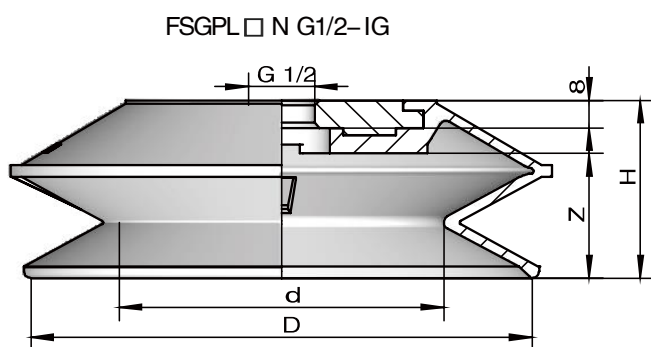
- ① ② ③ ④

① Product series	② Size specification	③ Material	④ Joint specification
FSGPL	100 - φ 100mm 120 - φ 120mm 150 - φ 150mm 200 - φ 200mm 250 - φ 250mm	N - nitrile rubber	G1/2-IG - G1/2 female thread Note:IG=Femalethread

Technical parameters

Model	Suction force N	Detaching force N	Internal Volume cm ³	Weight
FSGPL 100 N G1/2-IG	150	250	150	151
FSGPL 120 N G1/2-IG	280	400	296	351
FSGPL 150 N G1/2-IG	370	600	450	433
FSGPL 200 N G1/2-IG	850	950	877	1017
FSGPL 250 N G1/2-IG	1610	2000	1678	2000

Design parameters



Model	Size (mm)			
	H	D	d	Z
FSGPL 100 N G1/2-IG	43.3	96.1	57.2	29.1
FSGPL 120 N G1/2-IG	51	118.2	79.3	35.7
FSGPL 150 N G1/2-IG	51	143.5	93	35.7
FSGPL 200 N G1/2-IG	54	191	137	37.2
FSGPL 250 N G1/2-IG	60	239.3	186	43