



KBG Soft bag type combination suction cup



Food packaging



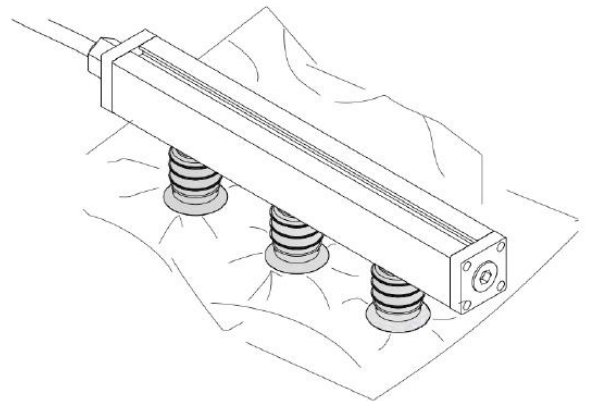
plastic bag

Introduction

- Provides excellent sealing when gripping soft packaging bags or flexible workpieces.
- Effectively compensates for height differences in irregularly shaped packaging bags.
- Can compensate for gripping capacity in situations where there are leaks in the workpiece by using high flow rates.
- Prevents flexible plastic films from adhering to the suction cup cavity.
- The suction cup lip edge can be replaced individually.

Applications

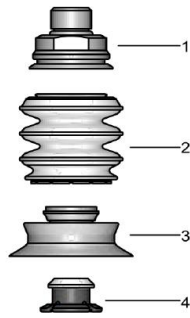
- Handling soft packaged products such as courier bags, aluminum foil bags, laundry detergent bags, water bags, etc.
- Handling food packaging items such as bread, biscuits, milk, etc.
- Suitable for opening bags, such as opening and dragging woven bags.
- Safe and reliable gripping of packaging bags containing solid materials, powder, or liquid.





Structure

- (1) Joint
- (2) Corrugated tube
- (3) Lip edge
- (4) Core block



Ordering Guide

KBG 41 S50 SK41 A3 G14-AG

- ①
- ②
- ③
- ④
- ⑤
- ⑥

① Model	② Lip Edge Size	③ Material	④ Core Block Size
KBG	34 - Ø34mm	S50 - Silicone 50°	SK34 - Ø34mm
	41 - Ø41mm	S30 - Silicone 30°	SK41 - Ø41mm
	48 - Ø48mm		SK48 - Ø48mm
	63 - Ø63mm		SK63 - Ø63mm
	Note: When selecting a lip edge size of 34, it can only correspond to corrugated tube specification A3.		Note: The chip size corresponds to the lip edge size.

⑤ Corrugated Tube Specifications

- A1 - Single-layer corrugated tube
- A3 - Three-layer corrugated tube

⑥ Joint Specifications

- G18-AG- G18 External Thread
- G18-IG -G1/8 Internal Thread
- G14-AG-G1/4 External Thread
- G14-IG - G1/4 Internal Thread
- G38-AG-G3/8 External Thread
- G38-IG -G3/8 Internal Thread



Selection Specifications

Selection	G1/8-AG	G1/8-IG	G1/4-AG	G1/4-IG	G3/8-AG	G3/8-IG
KBG34...A3	●	●	●	●	●	●
KBG41 A3(A1)	●	●	●	●	●	●
KBG48 A3(A1)	●	●	●	●	●	●
KBG63 .A3(A1)	●	●	●	●	●	●

Note: AG indicates external thread, IG indicates internal thread.

Spare Parts Specifications

Lip Edge		Core Block	Corrugated Tube		Suitable for suction cups
S50	S30	SK	A1	A3	
KBG 34 S50	KBG 34 S30	SK34	-	A3-2	KBG34...
KBG 41 S50	KBG 41 S30	SK41	A1-3	A3-3	KBG41...
KBG 48 S50	KBG 48 S30	SK48	A1-3	A3-3	KBG48...
KBG 63 S50	KBG 63 S30	SK63	A1-5	A3-5	KBG63...

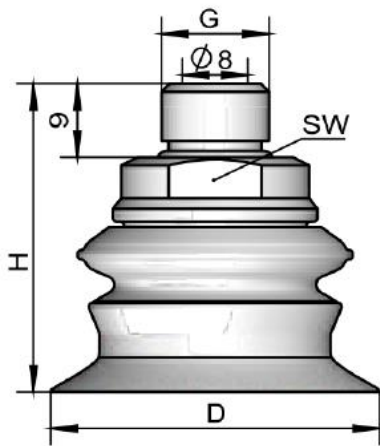
Technical Parameters

Model	Suction force N
KBG34...	15.0
KBG41	23.5
KBG48...	32.4
KBG63...	58.2



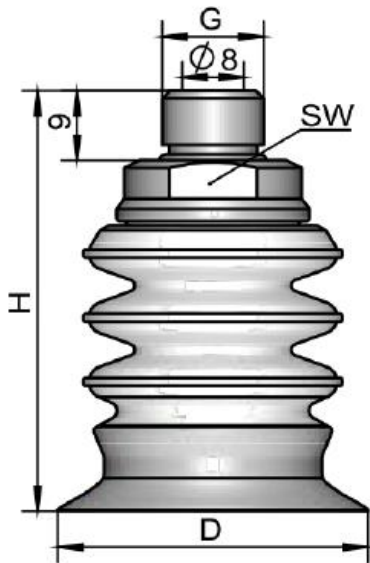
Design Parameters

KBG...A1...AG



Model	Size[mm]			
	H	D	SW	G
KBG41 □ SK41 A1 G18-AG	35.1	41	20	G1/8-AG
KBG41 □ SK41 A1 G14-AG	36.7	41	20	G1/4-AG
KBG41 □ SK41 A1 G38-AG	36.7	41	22	G3/8-AG
KBG48 □ SK48 A1 G18-AG	37.5	48	20	G1/8-AG
KBG48 □ SK48 A1 G14-AG	39	48	20	G1/4-AG
KBG48 □ SK48 A1 G38-AG	39	48	22	G3/8-AG
KBG63 □ SK63 A1 G18-AG	44.6	63	20	G1/8-AG
KBG63 □ SK63 A1 G14-AG	47.6	63	20	G1/4-AG
KBG63 □ SK63 A1 G38-AG	47.6	63	22	G3/8-AG

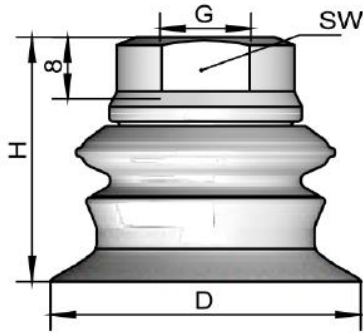
KBG...A3...AG



Model	Size[mm]			
	H	D	SW	G
KBG34 □ SK34 A3 G18-AG	40.8	34	20	G1/8-AG
KBG34 □ SK34 A3 G14-AG	44	34	20	G1/4-AG
KBG34 □ SK34 A3 G38-AG	44	34	22	G3/8-AG
KBG41 □ SK41 A3 G18-AG	51.4	41	20	G1/8-AG
KBG41 □ SK41 A3 G14-AG	54.5	41	20	G1/4-AG
KBG41 □ SK41 A3 G38-AG	54.5	41	22	G3/8-AG
KBG48 □ SK48 A3 G18-AG	52.8	48	20	G1/8-AG
KBG48 □ SK48 A3 G14-AG	55.9	48	20	G1/4-AG
KBG48 □ SK48 A3 G38-AG	55.9	48	22	G3/8-AG
KBG63 □ SK63 A3 G18-AG	68.6	63	20	G1/8-AG
KBG63 □ SK63 A3 G14-AG	71.6	63	20	G1/4-AG
KBG63 □ SK63 A3 G38-AG	71.6	63	22	G3/8-AG

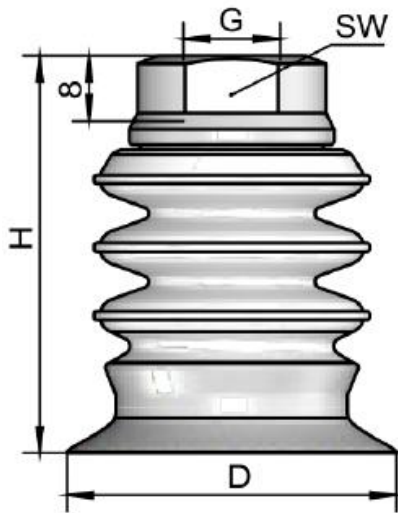


KBG...A1...IG



Model	Size[mm]			
	H	D	SW	G
KBG41 □ SK41 A1 G18-IG	31.6	41	20	G1/8-IG
KBG41 □ SK41 A1 G14-IG	31.6	41	20	G1/4-IG
KBG41 □ SK41 A1 G38-IG	31.6	41	22	G3/8-IG
KBG48 □ SK48 A1 G18-IG	33.8	48	20	G1/8-IG
KBG48 □ SK48 A1 G14-IG	33.8	48	20	G1/4-IG
KBG48 □ SK48 A1 G38-IG	33.8	48	22	G3/8-IG
KBG63 □ SK63 A1 G38-IG	40.6	63	20	G3/8-IG
KBG63 □ SK63 A1 G14-IG	40.6	63	20	G1/4-IG
KBG63 □ SK63 A1 G18-IG	40.6	63	22	G1/8-IG

KBG...A3...IG



Model	Size[mm]			
	H	D	SW	G
KBG34 □ SK34 A3 G18-IG	38	34	20	G1/8-IG
KBG34 □ SK34 A3 G14-IG	39	34	20	G1/4-IG
KBG34 □ SK34 A3 G38-IG	39	34	22	G3/8-IG
KBG41 □ SK41 A3 G18-IG	48.5	41	20	G1/8-IG
KBG41 □ SK41 A3 G14-IG	48.5	41	20	G1/4-IG
KBG41 □ SK41 A3 G38-IG	48.5	41	22	G3/8-IG
KBG48 □ SK48 A3 G18-IG	50	48	20	G1/8-IG
KBG48 □ SK48 A3 G14-IG	50	48	20	G1/4-IG
KBG48 □ SK48 A3 G38-IG	50	48	22	G3/8-IG
KBG63 □ SK63 A3 G38-IG	64.5	63	20	G3/8-IG
KBG63 □ SK63 A3 G14-IG	64.5	63	20	G1/4-IG
KBG63 □ SK63 A3 G18-IG	64.5	63	22	G1/8-IG