



KJB

Universal Rotary joint



Features

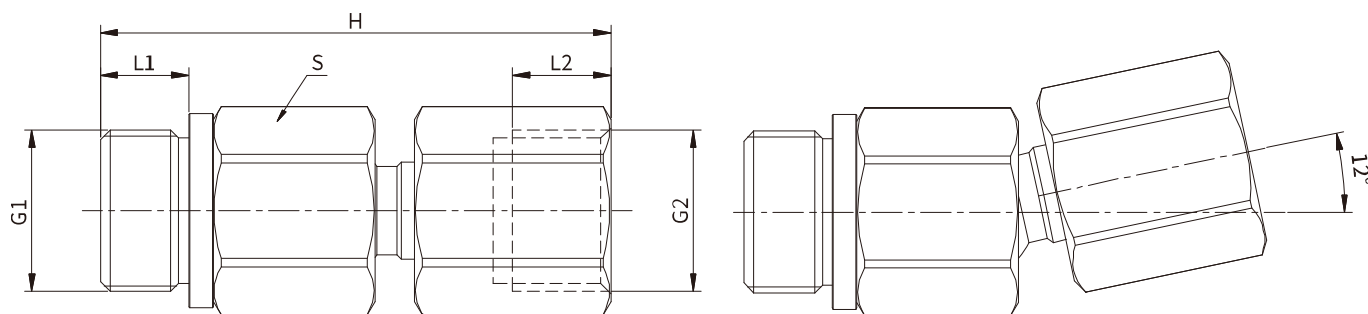
- Installation accessory for suction cups.
- Ball-type connection: Allows for flexible directional deviation.
- Maximum single-sided rotation angle: 12°, enabling versatile positioning of the suction cup.
- Made of high-strength anti-corrosion stainless steel material: Provides excellent stability and durability.
- Suitable for various applications: Can be used in different fields due to its reliable performance and resistance to corrosion.

Order Code

KJB **G1M**
 ① ②

① Model	② Connection Specifications
KJB	M10M–M10x1.25 external thread G1M–G1/8 external thread G2M–G1/4 external thread G3M–G3/8 external thread G4M–G1/2 external thread

規格尺寸



Model	H	L1	L2	S	G1	G2	Maximum Single-Sid Turning Angle
KJB-M10M	34.5	6	8	12	M10×1.25	G1/8	12°
KJB-G1M	34.5	6	8	12	G1/8	G1/8	12°
KJB-G2M	44.5	9	8.5	17	G1/4	G1/4	12°
KJB-G3M	52	10	10	19	G3/8	G3/8	12°
KJB-G4M	57	12	12	24	G1/2	G1/2	12°