

MAOF 金屬鈹金專用橢圓扁平吸盤

尺寸規格:50X16-120X60mm

材質:N45、N60、HT1



金屬板



條狀物



防滑性能



油性表面

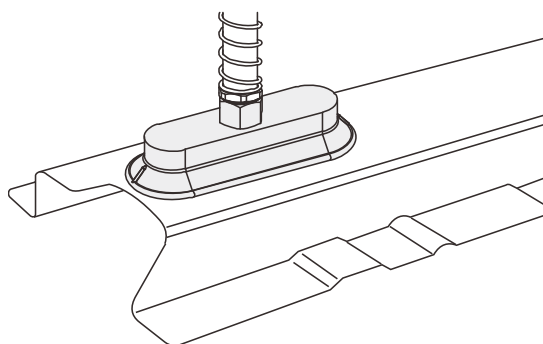


介紹

- 橢圓形扁平吸盤結構
- 內部大面積花紋支撐結構
- 尺寸規格齊全
- 抓取長條形工件
- 能有效提升吸盤與工件之間的摩擦力
- 適合各種大小和不同形狀的工件

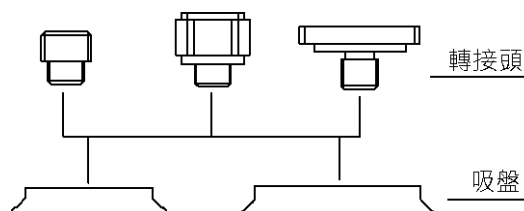
應用

- 用於快速搬運長條形金屬件,循環週期短
- 搬運金屬薄板及鋁板,不會產生變形
- 用於搬運汽車沖壓金屬件



結構

- 吸盤與接頭一體式結構設計



扁平吸盤 MAOF 訂購指南

MAOF 50 × 16 N45 G1/4-AG

① ② ③ ④

① 產品系列	② 尺寸規格	③ 材質和肖氏硬度	④ 連接頭規格
MAOF	50 × 16 - (L × W) 50 × 16mm 60 × 23 - (L × W) 60 × 23mm 90 × 30 - (L × W) 90 × 30mm 80 × 40 - (L × W) 80 × 40mm 100 × 50 - (L × W) 100 × 50mm 120 × 60 - (L × W) 120 × 60mm	N45 - 丁腈橡膠 - 45° N60 - 丁腈橡膠 - 60° HT1 - 耐高溫 - 60°	G1/4-AG - G1/4 外螺紋 G1/4-IG - G1/4 內螺紋 G3/8-IG - G3/8 內螺紋 M10 × 1.5-AG - M10 × 1.5 外螺紋 M14 × 1.5-AG - M14 × 1.5 外螺紋 RA 矩形適配器 注:AG=外螺紋 IG=內螺紋

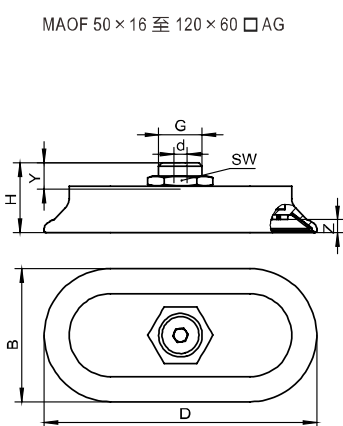
扁平吸盤 MAOF 選型規格

選型規格	G1/4-AG	G1/4-IG	G3/8-IG	M10×1.5-AG	M14×1.5-AG	RA 矩形適配器
MAOF 50 × 16...	●	●	●	●	●	●
MAOF 60 × 23...	●	●	●	●	●	●
MAOF 90 × 30...	●	●	●	●	●	●
MAOF 80 × 40...	●	●	●	●	●	●
MAOF 100 × 50...	●	●	●	●	●	●
MAOF 120 × 60...	●	●	●	●	●	●

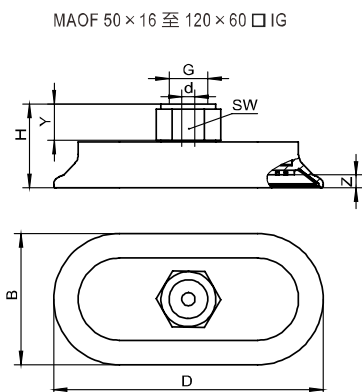
扁平吸盤 MAOF 技術參數

型號	吸力 N	側向力 N	油性表面側向力 N	內部體積 cm ³	工件最小曲率半徑 mm (凸形)
MAOF 50x16...	31	24	12	2.0	8
MAOF 60x23...	57	37	33	3.0	20
MAOF 90x30...	122	96	64	7.0	40
MAOF 80x40...	140	110	100	10.7	50
MAOF 100x50...	217	181	121	20.0	75
MAOF 120x60...	312	254	170	35.0	75

扁平吸盤 MAOF 設計參數



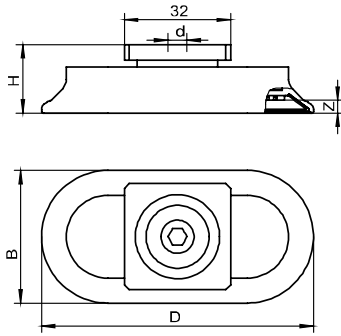
型號	尺寸 [mm]							G1
	D	B	d	H	Y	Z	SW	
MAOF 50x16 □ G1/4-AG	50	16	5	34	8	3	17	G1/4-AG
MAOF 50x16 □ M10x1.5-AG	50	16	4	36	10	3	16	M10x1.5-AG
MAOF 50x16 □ M14x1.5-AG	50	16	5	38	10	3	22	M14x1.5-AG
MAOF 60x23 □ G1/4-AG	62	23	5	26	8	3	17	G1/4-AG
MAOF 60x23 □ M10x1.5-AG	62	23	4	28	10	3	16	M10x1.5-AG
MAOF 60x23 □ M14x1.5-AG	62	23	5	30	10	3	22	M14x1.5-AG
MAOF 90x30 □ G1/4-AG	92	32	5	27	8	3	17	G1/4-AG
MAOF 90x30 □ M10x1.5-AG	92	32	4	29	10	3	16	M10x1.5-AG
MAOF 90x30 □ M14x1.5-AG	92	32	5	31	10	3	22	M14x1.5-AG
MAOF 80x40 □ G1/4-AG	85	40	5	28	8	4	17	G1/4-AG
MAOF 80x40 □ M10x1.5-AG	85	40	4	30	10	4	16	M10x1.5-AG
MAOF 80x40 □ M14x1.5-AG	85	40	5	32	10	4	22	M14x1.5-AG
MAOF 100x50 □ G1/4-AG	106	50	6	30	8	5	17	G1/4-AG
MAOF 100x50 □ M10x1.5-AG	106	50	4	32	10	5	16	M10x1.5-AG
MAOF 100x50 □ M14x1.5-AG	106	50	6	34	10	5	22	M14x1.5-AG
MAOF 120x60 □ G1/4-AG	128	60	6	32	8	6	17	G1/4-AG
MAOF 120x60 □ M10x1.5-AG	128	60	4	34	10	6	16	M10x1.5-AG
MAOF 120x60 □ M14x1.5-AG	128	60	6	36	10	6	22	M14x1.5-AG



型號	尺寸 [mm]							G1
	D	B	d	H	Y	Z	SW	
MAOF 50x16 □ G1/4-IG	50	16	6	33	8	3	17	G1/4-IG
MAOF 50x16 □ G3/8-IG	50	16	6	34	9	3	22	G3/8-IG
MAOF 60x23 □ G1/4-IG	62	23	6	26	8	3	17	G1/4-IG
MAOF 60x23 □ G3/8-IG	62	23	6	26	9	3	22	G3/8-IG
MAOF 90x30 □ G1/4-IG	92	32	6	26	8	3	17	G1/4-IG
MAOF 90x30 □ G3/8-IG	92	32	6	27	9	3	22	G3/8-IG
MAOF 80x40 □ G1/4-IG	85	40	6	28	8	4	17	G1/4-IG
MAOF 80x40 □ G3/8-IG	85	40	6	28	9	4	22	G3/8-IG
MAOF 100x50 □ G1/4-IG	106	50	8	30	8	5	17	G1/4-IG
MAOF 100x50 □ G3/8-IG	106	50	8	31	9	5	22	G3/8-IG
MAOF 120x60 □ G1/4-IG	128	60	8	32	8	6	17	G1/4-IG
MAOF 120x60 □ G3/8-IG	128	60	8	33	9	6	22	G3/8-IG



MAOF 50 × 16 至 120 × 60 □ RA (矩形適配器)



型號	尺寸 [mm]				
	D	B	d	H	Z
MAOF 50x16 □ RA	50	16	4	29	3
MAOF 60x23 □ RA	62	23	4	21	3
MAOF 90x30 □ RA	92	32	4	22	3
MAOF 80x40 □ RA	85	40	4	23	4
MAOF 100x50 □ RA	106	50	6	25	5
MAOF 120x60 □ RA	128	60	6	27	6