



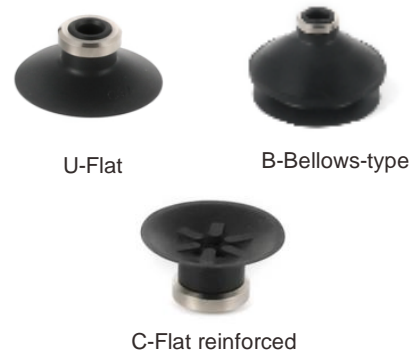
MP series Vacuum suction cup with adapter

Size : 2-50mm

Material : N、S、GN、GS、GHN



3C product

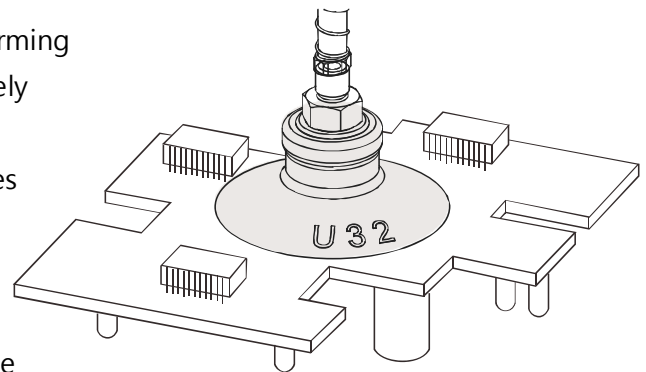


Introduction

- Type U, Type C and Type B are in different shapes to adapt to different applications
- Special traceless anti-static material
- Applicable to handling small-sized, lightweight articles in the 3C electronics industry

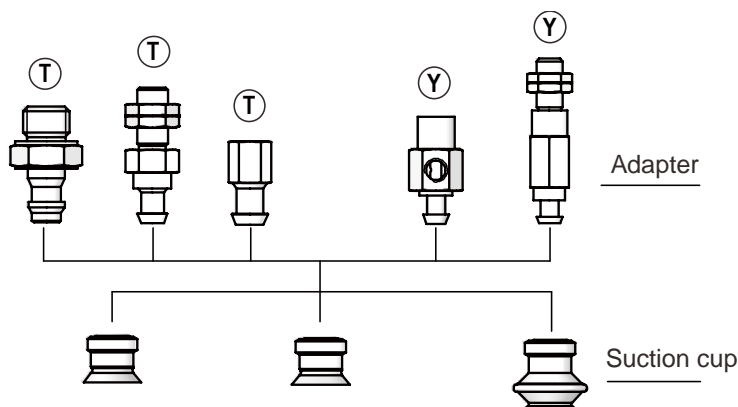
Application

- Type U is suitable for even surfaces unlikely deforming
- Type C is applicable to suctioning workpieces likely deforming
- Type B is applicable to suctioning sloping surfaces
- Applicable to handling cartons, small semiconductor products, spherical objects, food, etc.
- The special anti-static material is applicable to the electronics industry.



Structure

- Split structure design, the vulnerable elements can be easily replaced.





Guide to purchase

MP T - 02 U N - A5

- ① ② ③ ④ ⑤ ⑥

① Product series	② Vacuum port direction	③ Size specification	④ Shape specification
MP	Null - Bare suction cup T - Vertical Y - Horizontal	02 - ϕ 2.0mm 16 - ϕ 16mm 04 - ϕ 4.0mm 20 - ϕ 20mm 06 - ϕ 6.0mm 25 - ϕ 25mm 08 - ϕ 8.0mm 32 - ϕ 32mm 10 - ϕ 10mm 40 - ϕ 40mm 13 - ϕ 13mm 50 - ϕ 50mm	U - Flat B - Bellows-type C - Ribbed-flat type

⑤ Material of suction cup	⑥ Joint specification
N-nitrile rubber S-silicone rubber GN-Anti-static nitrile rubber (Static resistance index: 10^5-10^6) GS- Anti-static silicone rubber (Static resistance index: 10^5-10^6) GHN-traceless conductive nitrile rubber (Static resistance index: 10^5-10^6)	Null- Bare suction cup A5- M5×0.8 male thread A6-M6×1 male thread A8- M8×1.25 male thread B4- M4×0.7 female thread B5- M5×0.8 female thread B6- M6×1 female thread B8- M8×1.25 female thread B01- RC1/8 female thread

Note: When a bare suction cup is selected, the "vacuum port direction" item will be disabled.

Model specifications

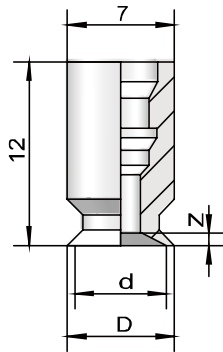
Model specification	Shape specification			Connection specification								
	U	B	C	T - Vertical								
				A5	A6	A8	B4	B5	B6	B8	B01	
				M5×0.8 male thread	M6×1 male thread	M8×1.25 male thread	M4×0.7 female thread	M5×0.8 female thread	M6×1 female thread	M8×1.25 female thread	RC1/8 female thread	
ϕ 2.0	●	-	-	●	●	-	●	●	-	-	-	
ϕ 4.0	●	-	-	●	●	-	●	●	-	-	-	
ϕ 6.0	●	●	-	●	●	-	●	●	-	-	-	
ϕ 8.0	●	●	-	●	●	-	●	●	-	-	-	
ϕ 10	●	●	●	●	●	-	-	●	●	-	●	
ϕ 13	●	●	●	●	●	-	-	●	●	-	●	
ϕ 16	●	●	●	●	●	-	-	●	●	-	●	
ϕ 20	●	●	●	-	●	●	-	●	●	●	●	
ϕ 25	●	●	●	-	●	●	-	●	●	●	●	
ϕ 32	●	●	●	-	●	●	-	●	●	●	●	
ϕ 40	●	●	●	-	●	●	-	-	●	●	●	
ϕ 50	●	●	●	-	●	●	-	-	●	●	●	

Model specification	Shape specification			Connection specification						
	U	B	C	Y - Horizontal						
				B5-A5	B5-A6	B5-A8	B5-B4	B5-B5	B5-B6	B5-B8
				Vacuum port with M5×0.8 female thread fitted to M5×0.8 male thread	Vacuum port with M5×0.8 female thread fitted to M6×1 male thread	Vacuum port with M5×0.8 female thread fitted to M8×1.25 male thread	Vacuum port with M5×0.8 female thread fitted to M4×0.7 female thread	Vacuum port with M5×0.8 female thread fitted to M5×0.8 female thread	Vacuum port with M5×0.8 female thread fitted to M6×1 female thread	Vacuum port with M5×0.8 female thread fitted to M8×1.25 female thread
ϕ 2.0	●	-	-	●	●	-	●	●	-	-
ϕ 4.0	●	-	-	●	●	-	●	●	-	-
ϕ 6.0	●	●	-	●	●	-	●	●	-	-
ϕ 8.0	●	●	-	●	●	-	●	●	-	-
ϕ 10	●	●	●	●	●	-	-	●	●	-
ϕ 13	●	●	●	●	●	-	-	●	●	-
ϕ 16	●	●	●	●	●	-	-	●	●	-
ϕ 20	●	●	●	-	●	●	-	●	●	●
ϕ 25	●	●	●	-	●	●	-	●	●	●
ϕ 32	●	●	●	-	●	●	-	●	●	●
ϕ 40	●	●	●	-	●	●	-	-	●	●
ϕ 50	●	●	●	-	●	●	-	-	●	●



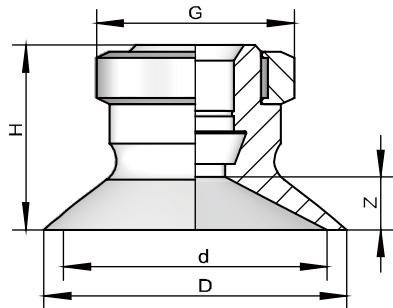
Design parameters

MP-02 to 08 U



Model	Size (mm)			Weight g
	D	d	Z	
MP-02U □	2.6	2	0.5	0.3
MP-04U □	4.8	4	0.8	0.3
MP-06U □	7	6	0.8	0.4
MP-08U □	9	8	1	0.4

MP-10 to 50 U

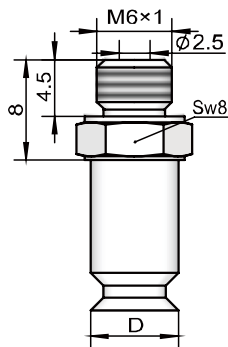
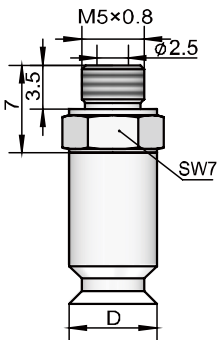


Model	Size (mm)						Weight g
	H	D	d	G	Z		
MP-10U □	12	12	10	13	3	0.8	
MP-13U □	12	15	13	13	3	0.8	
MP-16U □	12.5	18	16	13	3.5	0.9	
MP-20U □	14	23	20	15	4	1.6	
MP-25U □	14	28	25	15	4	1.8	
MP-32U □	14.5	35	32	15	4.5	2.3	
MP-40U □	18.5	43	40	18	6.5	5.5	
MP-50U □	19.5	53	50	18	7.5	6.9	

Type-U suction cup (φ2.0–φ 8.0mm) - Vacuum port in vertical direction

MPT-02 to 08 U □ -A5
(M5×0.8 male thread)

MPT-02 to 08 U □ -A6
(M6×1 male thread)



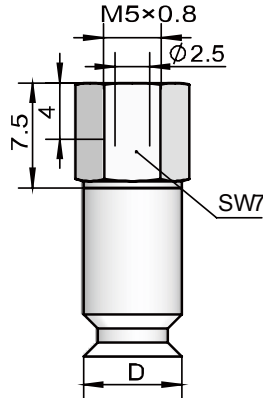
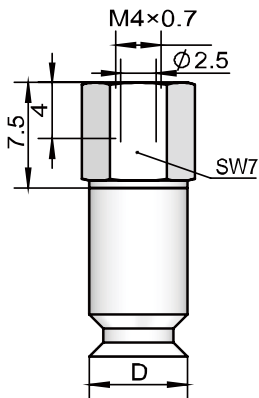
Model	Size (mm)	Applicable adapter model
		D
MPT-02U □ -A5(A6)	2.6	MPT1-A5(A6)
MPT-04U □ -A5(A6)	4.8	MPT1-A5(A6)
MPT-06U □ -A5(A6)	7	MPT1-A5(A6)
MPT-08U □ -A5(A6)	9	MPT1-A5(A6)



Type-U suction cup ($\phi 2.0$ – $\phi 8.0$ mm) - Vacuum port in vertical direction

MPT-02 to 08 U □ -B4
(M4×0.7 female thread)

MPT-02 to 08 U □ -B5
(M5×0.8 female thread)



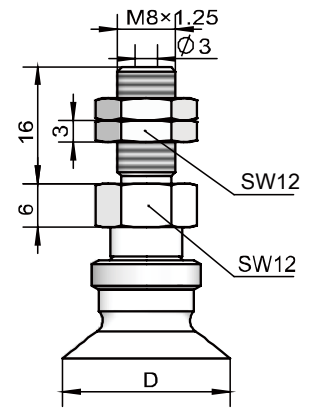
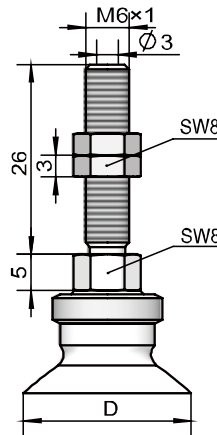
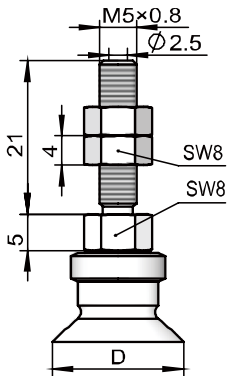
Model	Size (mm)		Applicable adapter model
		D	
MPT-02U □ -B4(B5)		2.6	MPT1-B4(B5)
MPT-04U □ -B4(B5)		4.8	MPT1-B4(B5)
MPT-06U □ -B4(B5)		7	MPT1-B4(B5)
MPT-08U □ -B4(B5)		9	MPT1-B4(B5)

Type-U suction cup ($\phi 10$ – $\phi 50$ mm) —Vacuum port in vertical direction

MPT-10 to 16 U □ -A5
(M5×0.8 male thread)

MPT-10 to 50 U □ -A6
(M6×1 male thread)

MPT-20 to 50 U □ -A8
(M8×1.25 male thread)

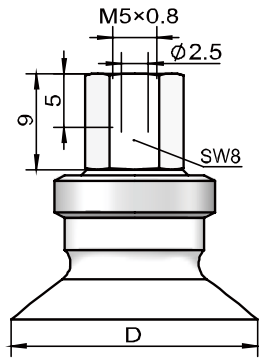


Model	Size (mm)		Applicable adapter model
		D	
MPT-10U □ -A5(A6)		12	MPT2-A5(A6)
MPT-13U □ -A5(A6)		15	MPT2-A5(A6)
MPT-16U □ -A5(A6)		18	MPT2-A5(A6)
MPT-20U □ -A6(A8)		23	MPT3-A6(A8)
MPT-25U □ -A6(A8)		28	MPT3-A6(A8)
MPT-32U □ -A6(A8)		35	MPT3-A6(A8)
MPT-40U □ -A6(A8)		43	MPT4-A6(A8)
MPT-50U □ -A6(A8)		53	MPT4-A6(A8)

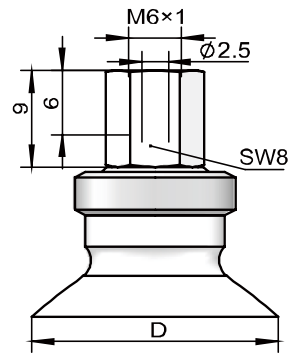


Type-U suction cup ($\phi 10$ – $\phi 50$ mm) —Vacuum port in vertical direction

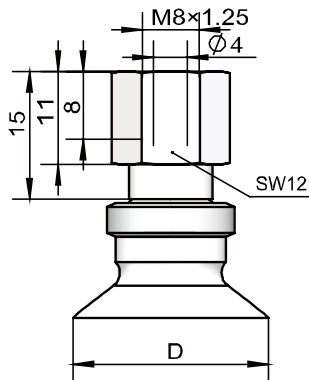
MPT-10 to 32 U □ -B5
(M5×0.8 female thread)



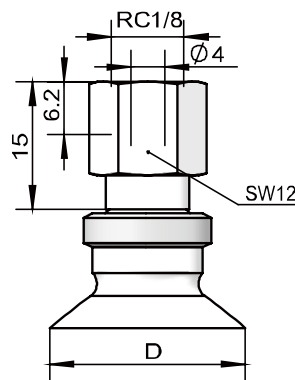
MPT-10 to 50 U □ -B6
(M6×1 female thread)



MPT-20 to 50 U □ -B8
(M8×1.25 female thread)



MPT-10 to 50 U □ -B01
(G1/8 female thread)

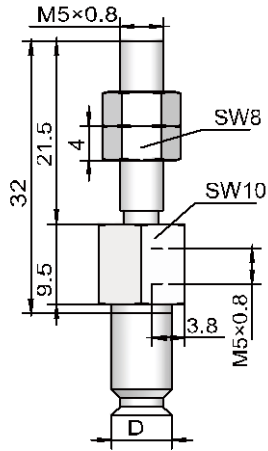


Model	Size (mm)	Applicable adapter model	
		D	
MPT-10U □ -B5(B6/B01)		12	MPT2-B5(B6/B01)
MPT-13U □ -B5(B6/B01)		15	MPT2-B5(B6/B01)
MPT-16U □ -B5(B6/B01)		18	MPT2-B5(B6/B01)
MPT-20U □ -B5(B6/B8/B01)		23	MPT3-B5(B6/B8/B01)
MPT-25U □ -B5(B6/B8/B01)		28	MPT3-B5(B6/B8/B01)
MPT-32U □ -B5(B6/B8/B01)		35	MPT3-B5(B6/B8/B01)
MPT-40U □ -B6(B8/B01)		43	MPT4-B6(B8/B01)
MPT-50U □ -B6(B8/B01)		53	MPT4-B6(B8/B01)

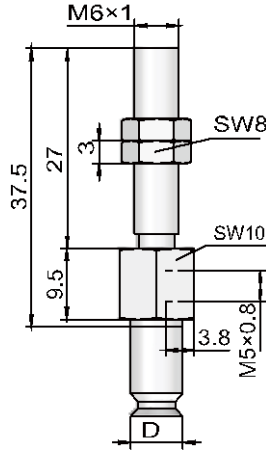


Type-U suction cup (φ2.0–φ 8.0mm)—Vacuum port in horizontal direction

MPY-02 to 08 U □ -B5-A5
(M5×0.8 male thread)

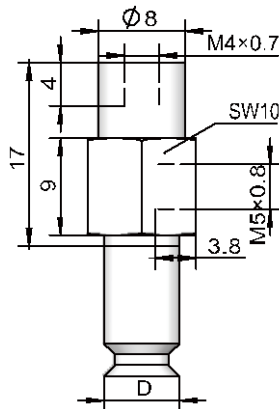


MPY-02 to 08 U □ -B5-A6
(M6×1 male thread)

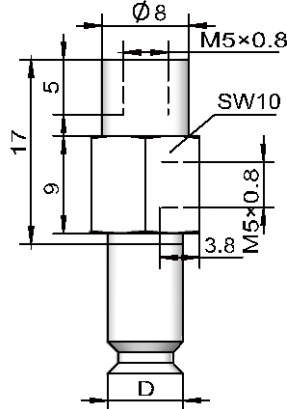


Model	Size (mm)		Applicable adapter model
		D	
MPY-02U □ -B5-A5(B5-A6)		2.6	MPY1-B5-A5(B5-A6)
MPY-04U □ -B5-A5(B5-A6)		4.8	MPY1-B5-A5(B5-A6)
MPY-06U □ -B5-A5(B5-A6)		7	MPY1-B5-A5(B5-A6)
MPY-08U □ -B5-A5(B5-A6)		9	MPY1-B5-A5(B5-A6)

MPY 02 to 08 U □ B5-B4
(M4×0.7 female thread)



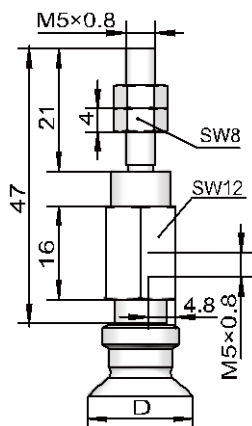
MPY 02 to 08 U □ B5-B5
(M5×0.8 female thread)



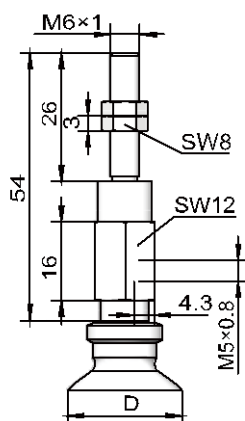
Model	Size (mm)		Applicable adapter model
		D	
MPY-02U □ -B5-B4(B5-B5)		2.6	MPY1-B5-B4(B5-B5)
MPY-04U □ -B5-B4(B5-B5)		4.8	MPY1-B5-B4(B5-B5)
MPY-06U □ -B5-B4(B5-B5)		7	MPY1-B5-B4(B5-B5)
MPY-08U □ -B5-B4(B5-B5)		9	MPY1-B5-B4(B5-B5)

Type-U suction cup (φ10-φ 50mm) —Vacuum port in horizontal direction

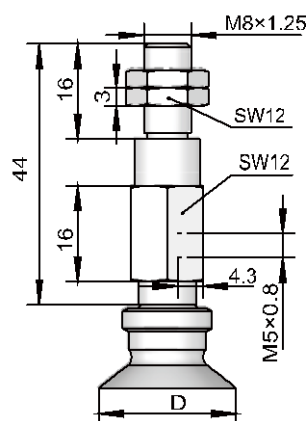
MPY 10 to 16 U □ B5-A5
(M5×0.8 male thread)



MPY 10 to 50 U □ B5-A6
(M6×1 male thread)

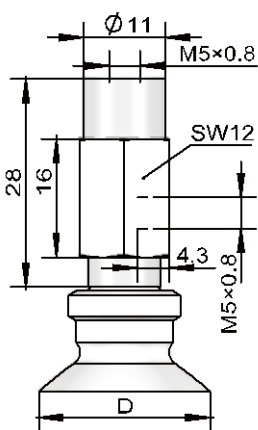


MPY 20 to 50 U □ B5-A8
(M8×1.25 male thread)

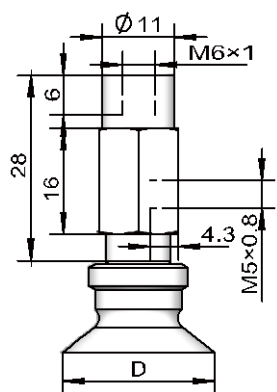


Model	Size (mm)	Applicable adapter model	
		D	
MPY-10U □ -B5-A5(B5-A6)		12	MPY2-B5-A5(B5-A6)
MPY-13U □ -B5-A5(B5-A6)		15	MPY2-B5-A5(B5-A6)
MPY-16U □ -B5-A5(B5-A6)		18	MPY2-B5-A5(B5-A6)
MPY-20U □ -B5-A6(B5-A8)		23	MPY3-B5-A6(B5-A8)
MPY-25U □ -B5-A6(B5-A8)		28	MPY3-B5-A6(B5-A8)
MPY-32U □ -B5-A6(B5-A8)		35	MPY3-B5-A6(B5-A8)
MPY-40U □ -B5-A6(B5-A8)		43	MPY4-B5-A6(B5-A8)
MPY-50U □ -B5-A6(B5-A8)		53	MPY4-B5-A6(B5-A8)

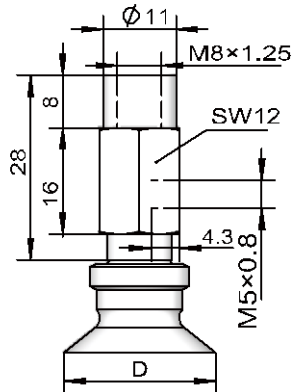
MPY 10 to 32 U □ B5-B5
(M5×0.8 female thread)



MPY 10 to 50 U □ B5-B6
(M6×1 female thread)



MPY 20 to 50 U □ B5-B8
(M8×1.25 female thread)

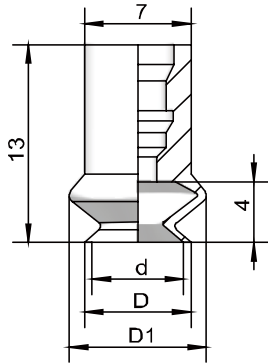


Model	Size (mm)	Applicable adapter model	
		D	
MPY-10U □ -B5-B5(B5-B6)		12	MPY2-B5-B5(B5-B6)
MPY-13U □ -B5-B5(B5-B6)		15	MPY2-B5-B5(B5-B6)
MPY-16U □ -B5-B5(B5-B6)		18	MPY2-B5-B5(B5-B6)
MPY-20U □ -B5-B5(B5-B6/B5-B8)		23	MPY3-B5-B5(B5-B6/B5-B8)
MPY-25U □ -B5-B5(B5-B6/B5-B8)		28	MPY3-B5-B5(B5-B6/B5-B8)
MPY-32U □ -B5-B5(B5-B6/B5-B8)		35	MPY3-B5-B5(B5-B6/B5-B8)
MPY-40U □ -B5-B6(B5-B8)		43	MPY4-B5-B6(B5-B8)
MPY-50U □ -B5-B6(B5-B8)		53	MPY4-B5-B6(B5-B8)



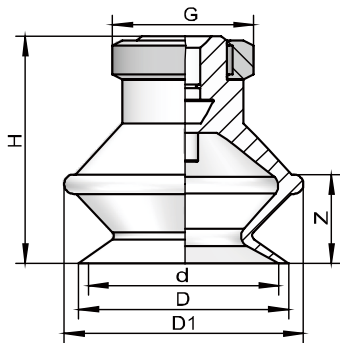
Size specification (mm) —Type-B suction cup

MP 06 to 08 B



Model	Size (mm)			Weight g
	D	D1	d	
MP06B □	7	9.1	6	0.4
MP08B □	9	10.1	8	0.4

MP 10 to 50 B

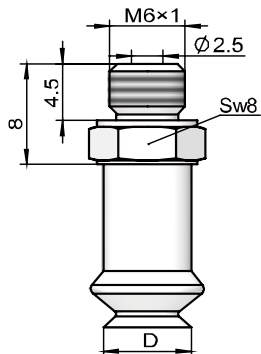
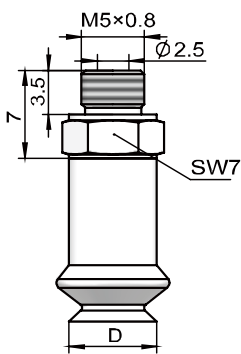


Model	Size (mm)						Weight g
	H	D	D1	d	G	Z	
MP10B □	16	12	14	10	13	5.5	1.1
MP13B □	18.5	15	19	13	13	7.5	1.7
MP16B □	20	18	21	16	13	8.5	2.1
MP20B □	23.5	22	25	20	15	10.5	2.9
MP25B □	24	27	28	25	15	10.5	3.9
MP32B □	29	34	37	32	15	14	6.7
MP40B □	34	43	48	40	18	16	13.3
MP50B □	38	53	57	50	18	19	18.8

Type-B suction cup (φ6.0–φ 8.0mm)—Vacuum port in vertical direction

MPT 06 to 08 B □ A5
(M5×0.8 male thread)

MPT 06 to 08 B □ A6
(M6×1 male thread)



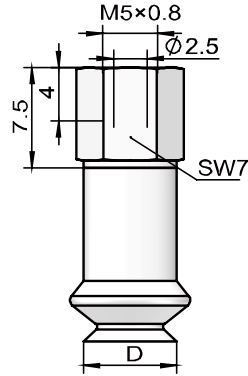
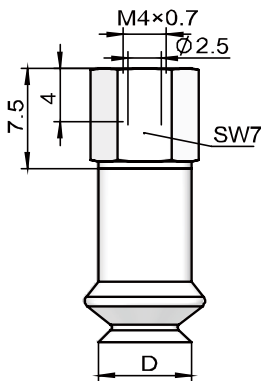
Model	Size (mm)	D	Applicable
			adapter model
MPT06B □ -A5(A6)		7	MPT1-A5(A6)
MPT08B □ -A5(A6)		9	MPT1-A5(A6)



Type-B suction cup (φ6.0–φ 8.0mm)—Vacuum port in vertical direction

MPT 06 to 08 B □ B4
(M4×0.7 female thread)

MPT 06 to 08 B □ B5
(M5×0.8 female thread)



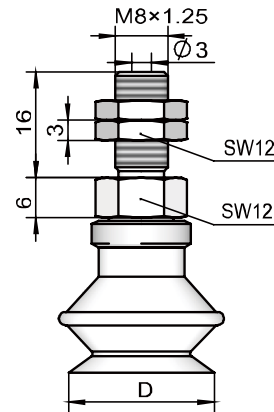
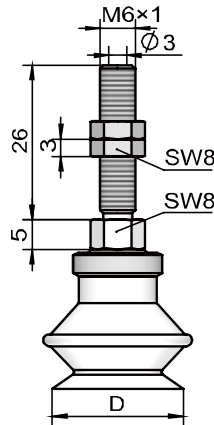
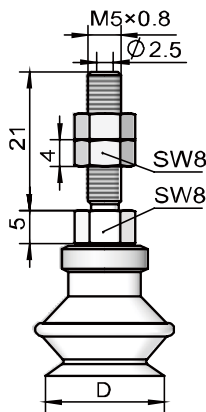
Model	Size (mm)		Applicable adapter model
		D	
MPT06B □ -B4(B5)		7	MPT1-B4(B5)
MPT08B □ -B4(B5)		9	MPT1-B4(B5)

Type-B suction cup (φ10–φ 50mm) —Vacuum port in vertical direction

MPT 10 to 16 B □ A5
(M5×0.8 male thread)

MPT 10 to 50 B □ A6
(M6×1 male thread)

MPT 20 to 50 B □ A8
(M8×1.25 male thread)

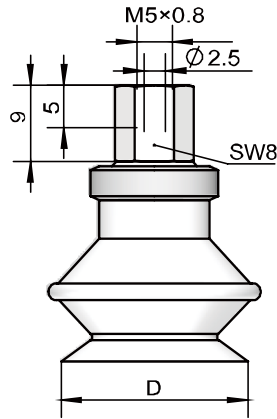


Model	Size (mm)		Applicable adapter model
		D	
MPT10B □ -A5(A6)		12	MPT2-A5(A6)
MPT13B □ -A5(A6)		15	MPT2-A5(A6)
MPT16B □ -A5(A6)		18	MPT2-A5(A6)
MPT20B □ -A6(A8)		23	MPT3-A6(A8)
MPT25B □ -A6(A8)		28	MPT3-A6(A8)
MPT32B □ -A6(A8)		35	MPT3-A6(A8)
MPT40B □ -A6(A8)		43	MPT4-A6(A8)
MPT50B □ -A6(A8)		53	MPT4-A6(A8)

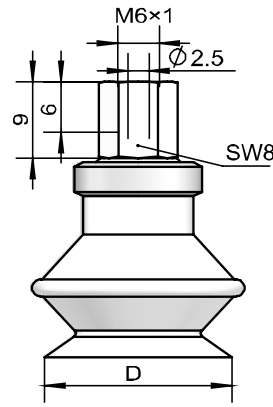


Type-B suction cup (φ10–φ 50mm) —Vacuum port in vertical direction

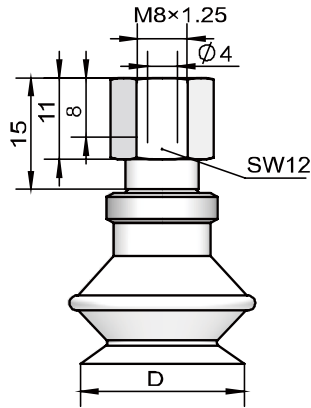
MPT 10 to 32 B □ B5
(M5×0.8 female thread)



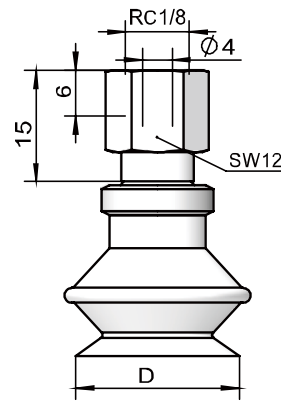
MPT 10 to 50 B □ B6
(M6×1 female thread)



MPT 20 to 50 B □ B8
(M8×1.25 female thread)



MPT 10 to 50 B □ B01
(G1/8 female thread)



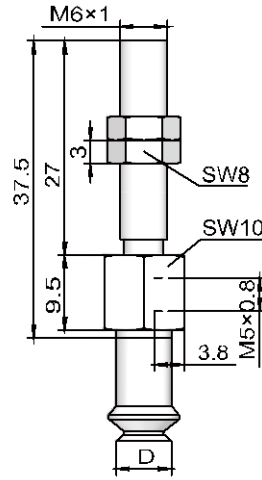
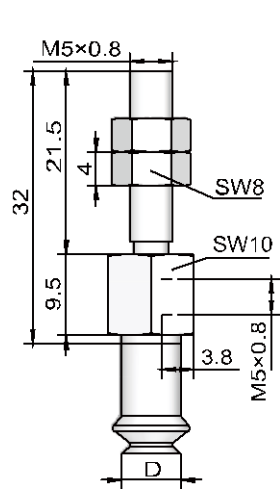
Model	Size (mm)	Applicable adapter model	
		D	
MPT10B □ -B5(B6/B01)		12	MPT2-B5(B6/B01)
MPT13B □ -B5(B6/B01)		15	MPT2-B5(B6/B01)
MPT16B □ -B5(B6/B01)		18	MPT2-B5(B6/B01)
MPT20B □ -B5(B6/B8/B01)		23	MPT3-B5(B6/B8/B01)
MPT25B □ -B5(B6/B8/B01)		28	MPT3-B5(B6/B8/B01)
MPT32B □ -B5(B6/B8/B01)		35	MPT3-B5(B6/B8/B01)
MPT40B □ -B6(B8/B01)		43	MPT4-B6(B8/B01)
MPT50B □ -B6(B8/B01)		53	MPT4-B6(B8/B01)



Type-B suction cup (φ6.0-φ 8.0mm)—Vacuum port in horizontal direction

MPY 06 to 08 B □ B5-A5
(M5×0.8 male thread)

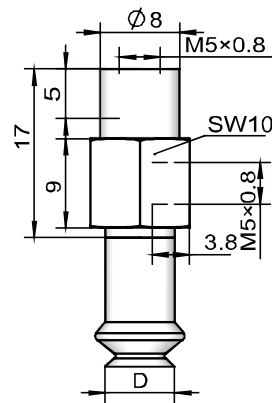
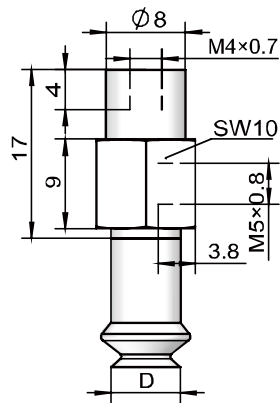
MPY 06 to 08 B □ B5-A6
(M6×1 male thread)



Model	Size (mm)	Applicable adapter model	
		D	
MPY06B □ -B5-A5(B5-A6)		7	MPY1-B5-A5(B5-A6)
MPY08B □ -B5-A5(B5-A6)		9	MPY1-B5-A5(B5-A6)

MPY 06 to 08 B □ B5-B4
(M4×0.7 female thread)

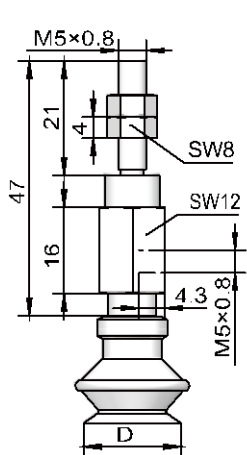
MPY 06 to 08 B □ B5-B5
(M5×0.8 female thread)



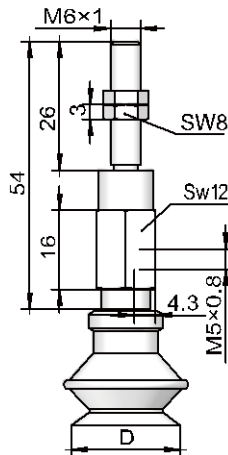
Model	Size (mm)	Applicable adapter model	
		D	
MPY06B □ -B5-B4(B5-B5)		7	MPY1-B5-B4(B5-B5)
MPY08B □ -B5-B4(B5-B5)		9	MPY1-B5-B4(B5-B5)

Type-B suction cup (φ10–φ 50mm) —Vacuum port in horizontal direction

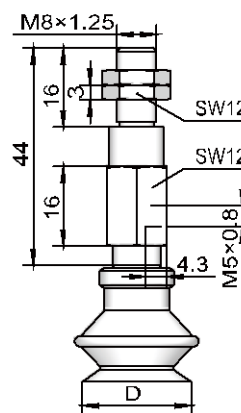
MPY 10 to 16 B □ B5-A5
(M5×0.8 male thread)



MPY 10 to 50 B □ B5-A6
(M6×1 male thread)

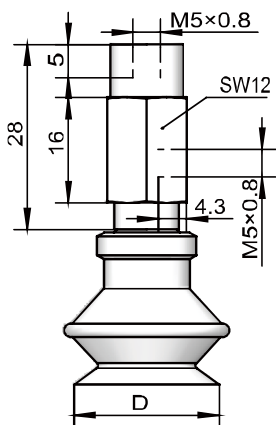


MPY 20 to 50 B □ B5-A8
(M8×1.25 male thread)

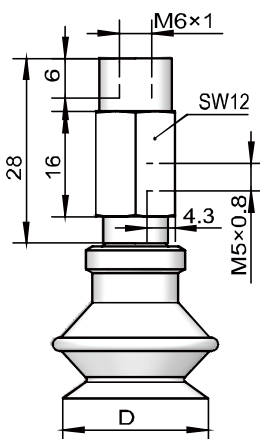


Model	Size (mm)	Applicable adapter model	
		D	
MPY10B □ -B5-A5(B5-A6)		12	MPY2-B5-A5(B5-A6)
MPY13B □ -B5-A5(B5-A6)		15	MPY2-B5-A5(B5-A6)
MPY16B □ -B5-A5(B5-A6)		18	MPY2-B5-A5(B5-A6)
MPY20B □ -B5-A6(B5-A8)		23	MPY3-B5-A6(B5-A8)
MPY25B □ -B5-A6(B5-A8)		28	MPY3-B5-A6(B5-A8)
MPY32B □ -B5-A6(B5-A8)		35	MPY3-B5-A6(B5-A8)
MPY40B □ -B5-A6(B5-A8)		43	MPY4-B5-A6(B5-A8)
MPY50B □ -B5-A6(B5-A8)		53	MPY4-B5-A6(B5-A8)

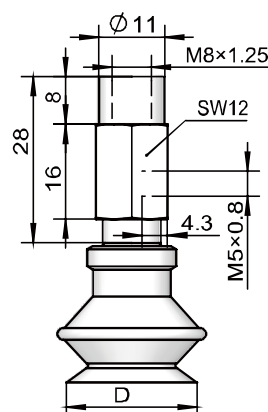
MPY 10 to 32 B □ B5-B5
(M5×0.8 female thread)



MPY 10 to 50 B □ B5-B6
(M6×1 female thread)

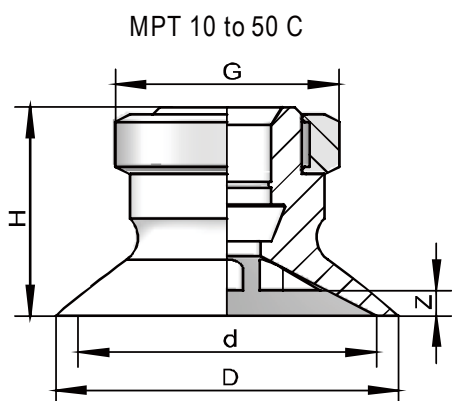


MPY 20 to 50 B □ B5-B8
(M8×1.25 female thread)



Model	Size (mm)	Applicable adapter model	
		D	
MPY10B □ -B5-B5(B5-B6)		12	MPY2-B5-B5(B5-B6)
MPY13B □ -B5-B5(B5-B6)		15	MPY2-B5-B5(B5-B6)
MPY16B □ -B5-B5(B5-B6)		18	MPY2-B5-B5(B5-B6)
MPY20B □ -B5-B5(B5-B6/B5-B8)		23	MPY3-B5-B5(B5-B6/B5-B8)
MPY25B □ -B5-B5(B5-B6/B5-B8)		28	MPY3-B5-B5(B5-B6/B5-B8)
MPY32B □ -B5-B5(B5-B6/B5-B8)		35	MPY3-B5-B5(B5-B6/B5-B8)
MPY40B □ -B5-B6(B5-B8)		43	MPY4-B5-B6(B5-B8)
MPY50B □ -B5-B6(B5-B8)		53	MPY4-B5-B6(B5-B8)

Size specification (mm)—Type-C suction cup

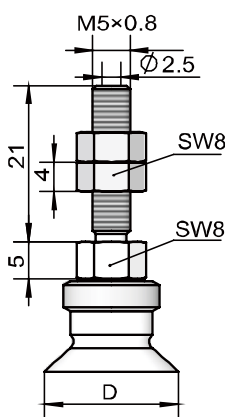


MPT 10 to 50 C

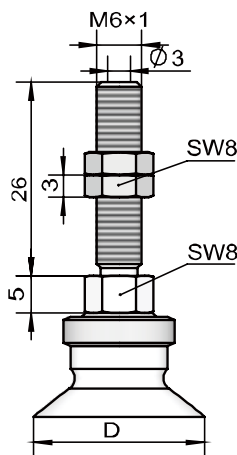
Model	Size [mm]					Weight g
	H	D	d	G	Z	
MP10C □	12	12	10	13	1.7	0.8
MP13C □	12	15	13	13	1.8	1
MP16C □	12.5	18	16	13	1.2	0.9
MP20C □	14	23	20	15	1.7	1.6
MP25C □	14	28	25	15	1.8	2.1
MP32C □	14.5	35	32	15	2.3	2.4
MP40C □	18.5	43	40	18	3.3	5.5
MP50C □	19.5	53	50	18	3.8	7.3

Type-C suction cup (φ10–φ 50mm) —Vacuum port in vertical direction

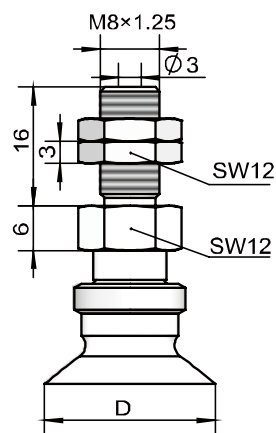
MPT 10 to 16 C □ A5
(M5×0.8 male thread)



MPT 10 to 50 C □ A6
(M6×1 male thread)



MPT 20 to 50 C □ A8
(M8×1.25 male thread)

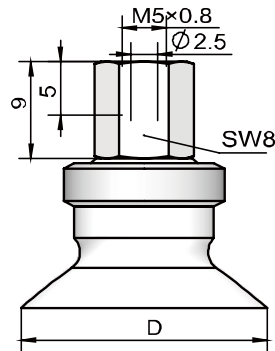


Model	Size (mm)		Applicable adapter model
		D	
MPT10C □ -A5(A6)		12	MPT2-A5(A6)
MPT13C □ -A5(A6)		15	MPT2-A5(A6)
MPT16C □ -A5(A6)		18	MPT2-A5(A6)
MPT20C □ -A6(A8)		23	MPT3-A6(A8)
MPT25C □ -A6(A8)		28	MPT3-A6(A8)
MPT32C □ -A6(A8)		35	MPT3-A6(A8)
MPT40C □ -A6(A8)		43	MPT4-A6(A8)
MPT50C □ -A6(A8)		53	MPT4-A6(A8)

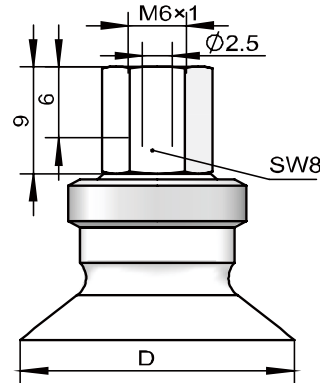


Type-C suction cup (φ10–φ 50mm) —Vacuum port in vertical direction

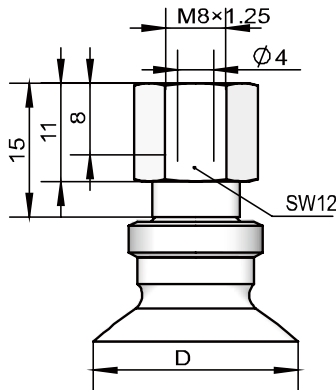
MPT 10 to 32 C □ B5
(M5×0.8 female thread)



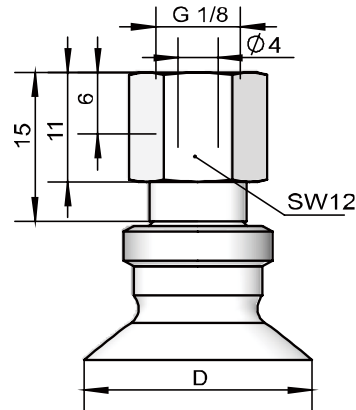
MPT 10 to 50 C □ B6
(M6×1 female thread)



MPT 20 to 50 C □ B8
(M8×1.25 female thread)



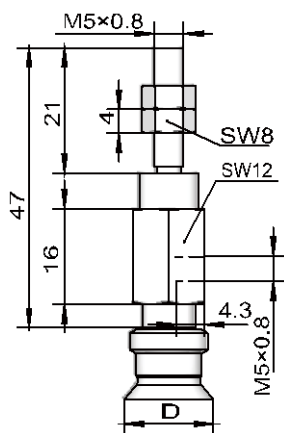
MPT 10 to 50 C □ B01
(G1/8 female thread)



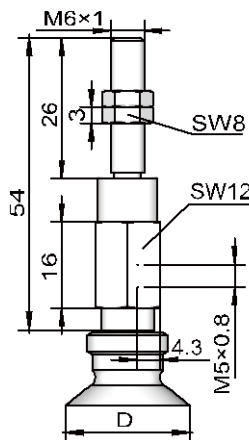
Model	Size (mm)	Applicable adapter model	
		D	
MPT10C □ -B5(B6/B01)		12	MPT2-B5(B6/B01)
MPT13C □ -B5(B6/B01)		15	MPT2-B5(B6/B01)
MPT16C □ -B5(B6/B01)		18	MPT2-B5(B6/B01)
MPT20C □ -B5(B6/B8/B01)		23	MPT3-B5(B6/B8/B01)
MPT25C □ -B5(B6/B8/B01)		28	MPT3-B5(B6/B8/B01)
MPT32C □ -B5(B6/B8/B01)		35	MPT3-B5(B6/B8/B01)
MPT40C □ -B6(B8/B01)		43	MPT4-B6(B8/B01)
MPT50C □ -B6(B8/B01)		53	MPT4-B6(B8/B01)

Type-C suction cup (φ10–φ 50mm) —Vacuum port in horizontal direction

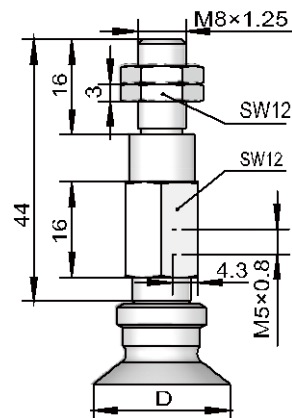
MPY 10 to 16 C □ B5-A5
(M5×0.8 male thread)



MPY 10 to 50 C □ B5-A6
(M6×1 male thread)

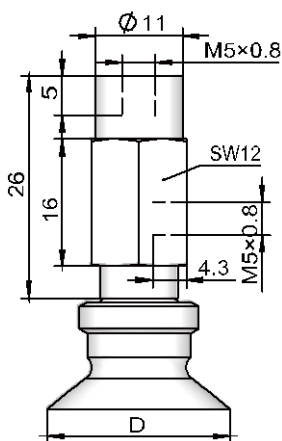


MPY 20 to 50 C □ B5-A8
(M8×1.25 male thread)

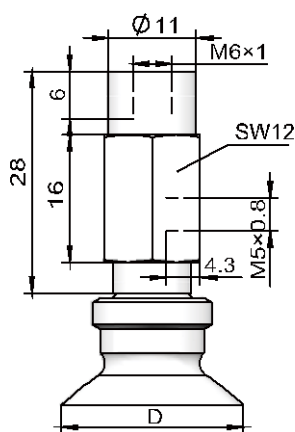


Model	Size (mm)	Applicable adapter model	
		D	
MPY10C □ -B5-A5(B5-A6)		12	MPY2-B5-A5(B5-A6)
MPY13C □ -B5-A5(B5-A6)		15	MPY2-B5-A5(B5-A6)
MPY16C □ -B5-A5(B5-A6)		18	MPY2-B5-A5(B5-A6)
MPY20C □ -B5-A6(B5-A8)		23	MPY3-B5-A6(B5-A8)
MPY25C □ -B5-A6(B5-A8)		28	MPY3-B5-A6(B5-A8)
MPY32C □ -B5-A6(B5-A8)		35	MPY3-B5-A6(B5-A8)
MPY40C □ -B5-A6(B5-A8)		43	MPY4-B5-A6(B5-A8)
MPY50C □ -B5-A6(B5-A8)		53	MPY4-B5-A6(B5-A8)

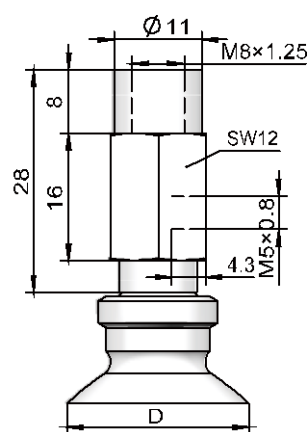
MPY 10 to 32 C □ B5-B5
(M5×0.8 female thread)



MPY 10 to 50 C □ B5-B6
(M6×1 female thread)



MPY 20 to 50 C □ B5-B8
(M8×1.25 female thread)



Model	Size (mm)	Applicable adapter model	
		D	
MPY10C □ -B5-B5(B5-B6)		12	MPY2-B5-B5(B5-B6)
MPY13C □ -B5-B5(B5-B6)		15	MPY2-B5-B5(B5-B6)
MPY16C □ -B5-B5(B5-B6)		18	MPY2-B5-B5(B5-B6)
MPY20C □ -B5-B5(B5-B6/B5-B8)		23	MPY3-B5-B5(B5-B6/B5-B8)
MPY25C □ -B5-B5(B5-B6/B5-B8)		28	MPY3-B5-B5(B5-B6/B5-B8)
MPY32C □ -B5-B5(B5-B6/B5-B8)		35	MPY3-B5-B5(B5-B6/B5-B8)
MPY40C □ -B5-B6(B5-B8)		43	MPY4-B5-B6(B5-B8)
MPY50C □ -B5-B6(B5-B8)		53	MPY4-B5-B6(B5-B8)



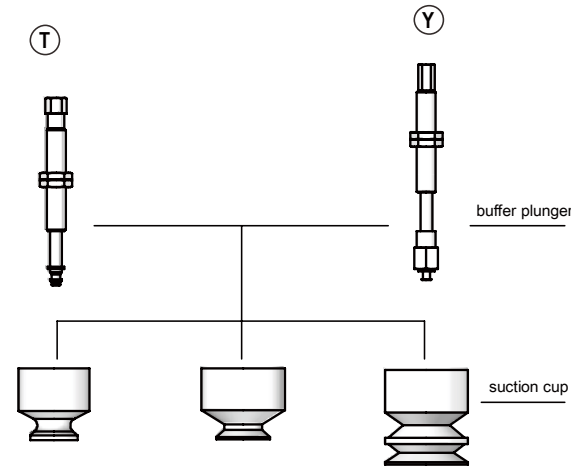
Size : 2-50mm



3C product

Structure

- The product consists of a replaceable suction cup and a buffer plunger
- The suction cup is equipped with a plug-in joint in the connecting position
- The vacuum port in vertical direction is installed with a male threaded nut
- The vacuum port in horizontal direction is installed with a male threaded nut



Guide to purchase

MP T 02 U N J 6 B3-A8
 ① ② ③ ④ ⑤ ⑥ ⑦ ⑧

① Product series	② Vacuum port direction	③ Size specification	④ Shape specification
MP	T - Vertical Y - Horizontal	02 - φ 2.0mm 16 - φ 16mm 04 - φ 4.0mm 20 - φ 20mm 06 - φ 6.0mm 25 - φ 25mm 08 - φ 8.0mm 32 - φ 32mm 10 - φ 10mm 40 - φ 40mm 13 - φ 13mm 50 - φ 50mm	U - Flat B - Bellows-type C - Ribbed-flat type
⑤ Material of suction cup	⑥ Slewing mode	⑦ Buffering stroke	⑧ The specification of vacuum port and installation thread
N-nitrilerubber S-siliconerubber GN-static-proofnitrilerubber (Staticresistanceindex:10 ⁵ -10 ⁶) GS-static-proofsiliconerubber (Staticresistanceindex:10 ⁵ -10 ⁶) GHN-tracelessconductivenitrilerubber (Staticresistanceindex:10 ⁵ -10 ⁶)	J - Slewing K - Non-slewing	6 - 6mm 10 - 10mm 15 - 15mm 20 - 20mm 25 - 25mm 30 - 30mm 40 - 40mm 50 - 50mm	B3-A8—vacuumport with M3×0.5 femalecthread fittedto M8×1 male thread B5-A8—vacuumport with M5×0.8 femalecthread fittedto M8×1 male thread B5-A10—vacuumport with M5×0.8 femalecthread fittedto M10×1 male thread B5-A14—vacuumport with M5×0.8 femalecthread fittedto M14×1 female thread B01-A14—Vacuumport with RC 1/8 femalecthread fittedto M14×1 female thread



Model specifications

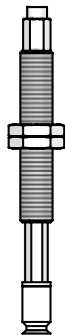
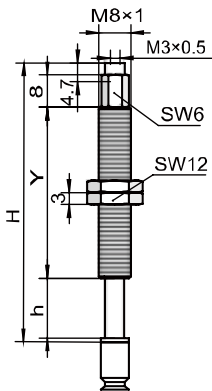
Model specification	Shape specification			Vacuum port direction		Slewing mode		Buffering stroke	Vacuum port and installation thread specification	
	U	B	C	T (Vertical)	Y (Horizontal)	J (Slewing)	K (Non-slewing)			
φ2.0	●	-	-	●	●	●	●	6 10 15 20 25	B3-A8	B5-A8
φ4.0	●	-	-	●	●	●	●	6 10 15 20 25	B3-A8	B5-A8
φ6.0	●	●	-	●	●	●	●	6 10 15 20 25	B3-A8	B5-A8
φ8.0	●	●	-	●	●	●	●	6 10 15 20 25	B3-A8	B5-A8
φ10	●	●	●	●	●	●	●	10 20 30 40 50		B5-A10
φ13	●	●	●	●	●	●	●	10 20 30 40 50		B5-A10
φ16	●	●	●	●	●	●	●	10 20 30 40 50		B5-A10
φ20	●	●	●	●	●	●	●	10 20 30 40 50		B5-A10
φ25	●	●	●	●	●	●	●	10 20 30 40 50		B5-A10
φ32	●	●	●	●	●	●	●	10 20 30 40 50		B5-A10
φ40	●	●	●	●	●	●	●	10 20 30 50	B5-A14	B01-A14
φ50	●	●	●	●	●	●	●	10 20 30 50	B5-A14	B01-A14

Design parameters

MPT...B3-A8

Vertical and slewing

Vertical and non-slewing

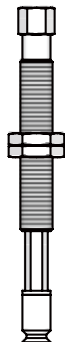
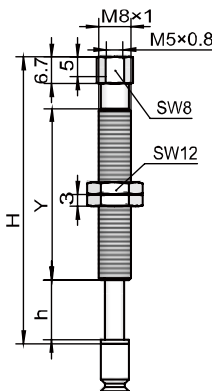


Model	Size (mm)			Applicable suction cup	Applicable buffer plunger model
	H	h	Y		
MPT □ J6B3-A8	32	6	15	MP02to08U MP06to08B	MPT1 J6 B3-A8
MPT □ J10B3-A8	65	10	43	MP02to08U MP06to08B	MPT1 J10 B3-A8
MPT □ J15B3-A8	70	15	43	MP02to08U MP06to08B	MPT1 J15 B3-A8
MPT □ J25B3-A8	80	20	43	MP02to08U MP06to08B	MPT1 J25 B3-A8
MPT □ K6B3-A8	32	6	15	MP02to08U MP06to08B	MPT1 K6 B3-A8
MPT □ K10B3-A8	65	10	43	MP02to08U MP06to08B	MPT1 K10 B3-A8
MPT □ K15B3-A8	70	15	43	MP02to08U MP06to08B	MPT1 K15 B3-A8
MPT □ K25B3-A8	80	20	43	MP02to08U MP06to08B	MPT1 K25 B3-A8

MPT...B5-A8

Vertical and slewing

Vertical and non-slewing

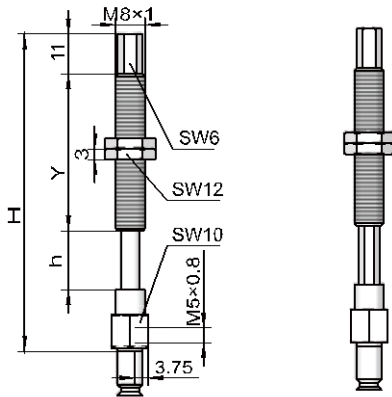


Model	Size (mm)			Applicable suction cup	Applicable buffer plunger model
	H	h	Y		
MPT □ J6B5-A8	34	6	15	MP02to08U MP06to08B	MPT1 J6 B5-A8
MPT □ J10B5-A8	67	10	43	MP02to08U MP06to08B	MPT1 J10 B5-A8
MPT □ J15B5-A8	72	15	43	MP02to08U MP06to08B	MPT1 J15 B5-A8
MPT □ J25B5-A8	82	20	43	MP02to08U MP06to08B	MPT1 J25 B5-A8
MPT □ K6B5-A8	34	6	15	MP02to08U MP06to08B	MPT1 K6 B5-A8
MPT □ K10B5-A8	67	10	43	MP02to08U MP06to08B	MPT1 K10 B5-A8
MPT □ K15B5-A8	72	15	43	MP02to08U MP06to08B	MPT1 K15 B5-A8
MPT □ K25B5-A8	72	20	43	MP02to08U MP06to08B	MPT1 K25 B5-A8

MPY...B5-A8

Horizontally slewing

Horizontally non-slewing

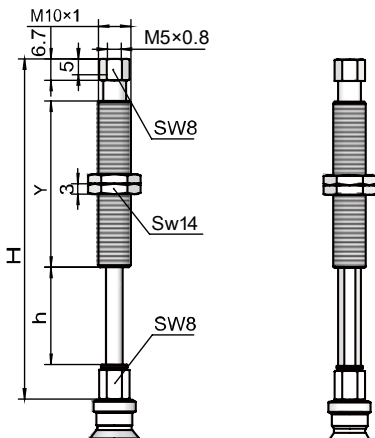


Model	Size (mm)			Applicable suction cup	Applicable buffer plunger model
	H	h	Y		
MPY □ J6B5-A8	51	6	15	MP02to08U MP06to08B	MPY1 J6 B5-A8
MPY □ J10B5-A8	82	10	43	MP02to08U MP06to08B	MPY1 J10 B5-A8
MPY □ J15B5-A8	87	15	43	MP02to08U MP06to08B	MPY1 J15 B5-A8
MPY □ J25B5-A8	97	25	43	MP02to08U MP06to08B	MPY1 J25 B5-A8
MPY □ K6B5-A8	51	6	15	MP02to08U MP06to08B	MPY1 K6 B5-A8
MPY □ K10B5-A8	82	10	43	MP02to08U MP06to08B	MPY1 K10 B5-A8
MPY □ K15B5-A8	87	15	43	MP02to08U MP06to08B	MPY1 K15 B5-A8
MPY □ K25B5-A8	97	25	43	MP02to08U MP06to08B	MPY1 K25 B5-A8

MPT...B5-A10

Vertical and slewing

Vertical and non-slewing

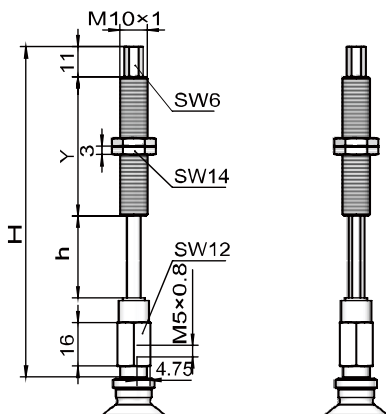


Model	Size (mm)			Applicable suction cup	Applicable buffer plunger model
	H	h	Y		
MPT □ J10B5-A10	56.5	10	23	MP10to16U(B/C)	MPT2 J10 B5-A10
MPT □ J20B5-A10	94.5	20	51	MP10to16U(B/C)	MPT2 J20 B5-A10
MPT □ J30B5-A10	104.5	30	51	MP10to16U(B/C)	MPT2 J30 B5-A10
MPT □ J40B5-A10	140.5	40	77	MP10to16U(B/C)	MPT2 J40 B5-A10
MPT □ J50B5-A10	150.5	50	77	MP10to16U(B/C)	MPT2 J50 B5-A10
MPT □ K10B5-A10	56.5	10	23	MP10to16U(B/C)	MPT2 K10 B5-A10
MPT □ K20B5-A10	94.5	20	51	MP10to16U(B/C)	MPT2 K20 B5-A10
MPT □ K30B5-A10	104.5	30	51	MP10to16U(B/C)	MPT2 K30 B5-A10
MPT □ K40B5-A10	140.5	40	77	MP10to16U(B/C)	MPT2 K40 B5-A10
MPT □ K50B5-A10	150.5	50	77	MP10to16U(B/C)	MPT2 K50 B5-A10

MPY...B5-A10

Horizontally slewing

Horizontally non-slewing

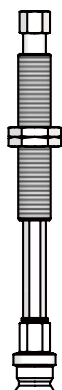
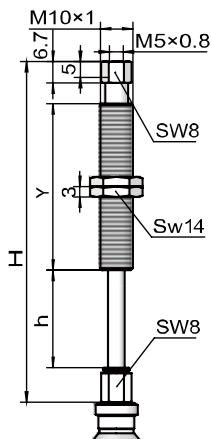


Model	Size (mm)			Applicable suction cup	Applicable buffer plunger model
	H	h	Y		
MPY □ J10B5-A10	71.5	10	23	MP10to16U(B/C)	MPY2 J10 B5-A10
MPY □ J20B5-A10	109.5	20	51	MP10to16U(B/C)	MPY2 J20 B5-A10
MPY □ J30B5-A10	119.5	30	51	MP10to16U(B/C)	MPY2 J30 B5-A10
MPY □ J40B5-A10	155.5	40	77	MP10to16U(B/C)	MPY2 J40 B5-A10
MPY □ J50B5-A10	165.5	50	77	MP10to16U(B/C)	MPY2 J50 B5-A10
MPY □ K10B5-A10	71.5	10	23	MP10to16U(B/C)	MPY2 K10 B5-A10
MPY □ K20B5-A10	109.5	20	51	MP10to16U(B/C)	MPY2 K20 B5-A10
MPY □ K30B5-A10	119.5	30	51	MP10to16U(B/C)	MPY2 K30 B5-A10
MPY □ K40B5-A10	155.5	40	77	MP10to16U(B/C)	MPY2 K40 B5-A10
MPY □ K50B5-A10	165.5	50	77	MP10to16U(B/C)	MPY2 K50 B5-A10

MPT...B5-A10

Vertical and slewing

Vertical and non-slewing

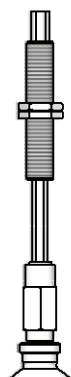
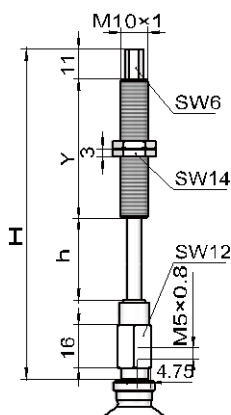


Model	Size (mm)			Applicable suction cup	Applicable buffer plunger model
	H	h	Y		
MPT □ J10B5-A10	56.5	10	23	MP20to32U(B/C)	MPT3 J10 B5-A10
MPT □ J20B5-A10	94.5	20	51	MP20to32U(B/C)	MPT3 J20 B5-A10
MPT □ J30B5-A10	104.5	30	51	MP20to32U(B/C)	MPT3 J30 B5-A10
MPT □ J40B5-A10	140.5	40	77	MP20to32U(B/C)	MPT3 J40 B5-A10
MPT □ J50B5-A10	150.5	50	77	MP20to32U(B/C)	MPT3 J50 B5-A10
MPT □ K10B5-A10	56.5	10	23	MP20to32U(B/C)	MPT3 K10 B5-A10
MPT □ K20B5-A10	94.5	20	51	MP20to32U(B/C)	MPT3 K20 B5-A10
MPT □ K30B5-A10	104.5	30	51	MP20to32U(B/C)	MPT3 K30 B5-A10
MPT □ K40B5-A10	140.5	40	77	MP20to32U(B/C)	MPT3 K40 B5-A10
MPT □ K50B5-A10	150.5	50	77	MP20to32U(B/C)	MPT3 K50 B5-A10

MPY...B5-A10

Horizontally slewing

Horizontally non-slewing

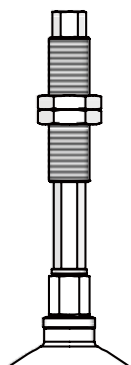
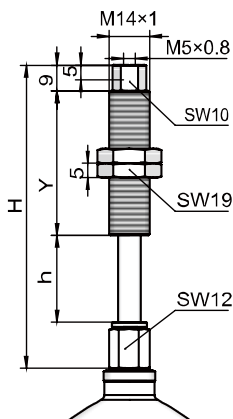


Model	Size (mm)			Applicable suction cup	Applicable buffer plunger model
	H	h	Y		
MPY □ J10B5-A10	71.5	10	23	MP20to32U(B/C)	MPY3 J10 B5-A10
MPY □ J20B5-A10	109.5	20	51	MP20to32U(B/C)	MPY3 J20 B5-A10
MPY □ J30B5-A10	119.5	30	51	MP20to32U(B/C)	MPY3 J30 B5-A10
MPY □ J40B5-A10	155.5	40	77	MP20to32U(B/C)	MPY3 J40 B5-A10
MPY □ J50B5-A10	165.5	50	77	MP20to32U(B/C)	MPY3 J50 B5-A10
MPY □ K10B5-A10	71.5	10	23	MP20to32U(B/C)	MPY3 K10 B5-A10
MPY □ K20B5-A10	109.5	20	51	MP20to32U(B/C)	MPY3 K20 B5-A10
MPY □ K30B5-A10	119.5	30	51	MP20to32U(B/C)	MPY3 K30 B5-A10
MPY □ K40B5-A10	155.5	40	77	MP20to32U(B/C)	MPY3 K40 B5-A10
MPY □ K50B5-A10	165.5	50	77	MP20to32U(B/C)	MPY3 K50 B5-A10

MPT...B5-A14

Vertical and slewing

Vertical and non-slewing



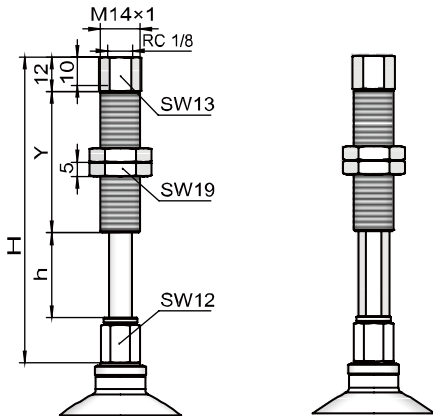
Model	Size (mm)			Applicable suction cup	Applicable buffer plunger model
	H	h	Y		
MPT □ J10B5-A14	91	10	50	MP40to50U(B/C)	MPT4 J10 B5-A14
MPT □ J20B5-A14	95	20	50	MP40to50U(B/C)	MPT4 J20 B5-A14
MPT □ J30B5-A14	105	30	50	MP40to50U(B/C)	MPT4 J30 B5-A14
MPT □ J50B5-A14	150	50	75	MP40to50U(B/C)	MPT4 J50 B5-A14
MPT □ K10B5-A14	91	10	50	MP40to50U(B/C)	MPT4 K10 B5-A14
MPT □ K20B5-A14	95	20	50	MP40to50U(B/C)	MPT4 K20 B5-A14
MPT □ K30B5-A14	105	30	50	MP40to50U(B/C)	MPT4 K30 B5-A14
MPT □ K50B5-A14	150	50	75	MP40to50U(B/C)	MPT4 K50 B5-A14



MPT...B01-A14

Vertical and slewing

Vertical and non-slewing

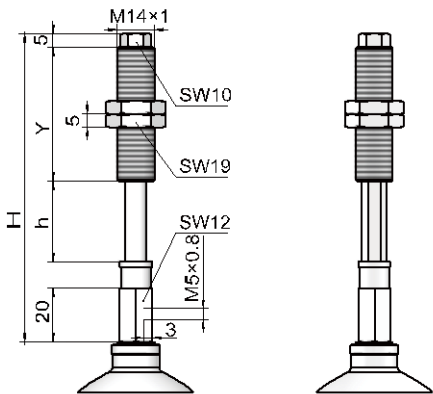


Model	Size (mm)			Applicable suction cup	Applicable buffer plunger model
	H	h	Y		
MPT □ J10B01-A14	92.5	10	50	MP40to50U(B/C)	MPT4 J10 B01-A14
MPT □ J20B01-A14	98	20	50	MP40to50U(B/C)	MPT4 J20 B01-A14
MPT □ J30B01-A14	108	30	50	MP40to50U(B/C)	MPT4 J30 B01-A14
MPT □ J50B01-A14	153	50	75	MP40to50U(B/C)	MPT4 J50 B01-A14
MPT □ K10B01-A14	92.5	10	50	MP40to50U(B/C)	MPT4 K10 B01-A14
MPT □ K20B01-A14	98	20	50	MP40to50U(B/C)	MPT4 K20 B01-A14
MPT □ K30B01-A14	108	30	50	MP40to50U(B/C)	MPT4 K30 B01-A14
MPT □ K50B01-A14	153	50	75	MP40to50U(B/C)	MPT4 K50 B01-A14

MPY...B5-A14

Horizontally slewing

Horizontally non-slewing



Model	Size (mm)			Applicable suction cup	Applicable buffer plunger model
	H	h	Y		
MPY □ J10B5-A14	108	10	50	MP40to50U(B/C)	MPY4 J10 B5-A14
MPY □ J20B5-A14	105	20	50	MP40to50U(B/C)	MPY4 J20 B5-A14
MPY □ J30B5-A14	115	30	50	MP40to50U(B/C)	MPY4 J30 B5-A14
MPY □ J50B5-A14	160	50	75	MP40to50U(B/C)	MPY4 J50 B5-A14
MPY □ K10B5-A14	108	10	50	MP40to50U(B/C)	MPY4 K10 B5-A14
MPY □ K20B5-A14	105	20	50	MP40to50U(B/C)	MPY4 K20 B5-A14
MPY □ K30B5-A14	115	30	50	MP40to50U(B/C)	MPY4 K30 B5-A14
MPY □ K50B5-A14	160	50	75	MP40to50U(B/C)	MPY4 K50 B5-A14