



MP-H/HB Vacuum suction cup

Size: 40–125mm

Material: N, S



General
-purpose



Heavy-duty



H flat type (Flat type
with ribs)



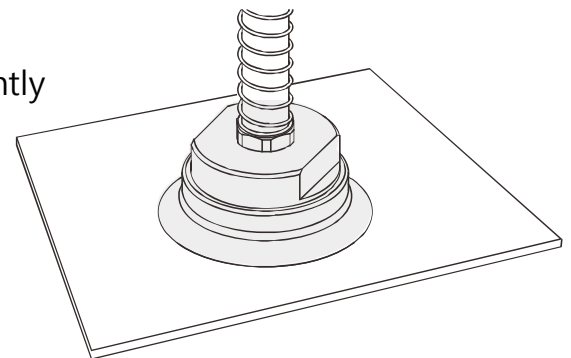
HB 1.5 fold bellow
type (Ribbed type)

Introduction

- The shape of suction cup is divided into: H flat type (Flat type with ribs) and HB 1.5 fold bellow type (Ribbed type)
- Applicable to handling heavy workpieces
- Internal inlaid reinforcing plate

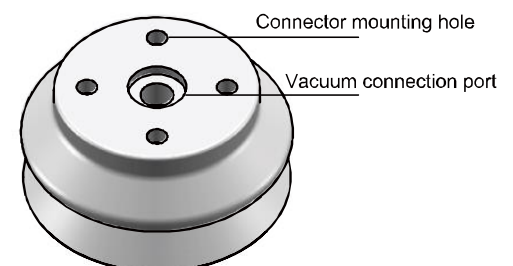
Application

- Handle of large workpieces with even or slightly rough surfaces, such as wood boards, steel plates, heavy workpieces, etc.



Structure

Internal inlaid reinforcing plate, With a split structure design, vulnerable elements can be easily replaced





purchase guide

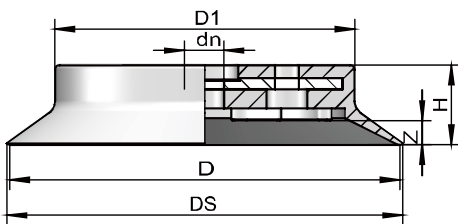
MP - 40 H N

- ① ② ③ ④

① Product series	② Size specification	③ Shape specification	④ Material of suction cup
MP	40 - φ40mm 50 - φ50mm 63 - φ63mm 80 - φ80mm 100 - φ100mm 125 - φ125mm	H flat type (Flat type with ribs) HB 1.5 fold bellow type (Ribbed type)	N - nitrilrubber S - siliconerubber

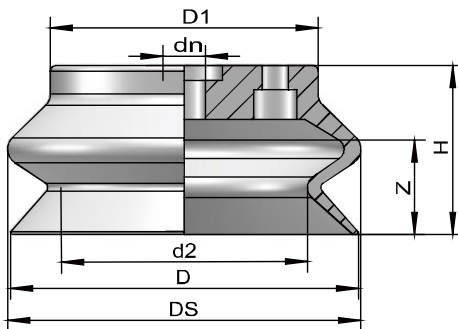
Design parameters

MP-40 to 125 H □



Model	Size(mm)					
	dn	D	D1	DS	Z	H
MP-40H	6	40	32	42.1	3	11.5
MP-50H	6	50	42	52.1	3	11.5
MP-63H	8	63	50	65.2	3.5	14.5
MP-80H	8	80	61	82.1	4.5	16.5
MP-100H	10	100	80	102.8	7.5	21
MP-125H	10	125	104	127.7	7.5	21

MP-40 to 125 HB □

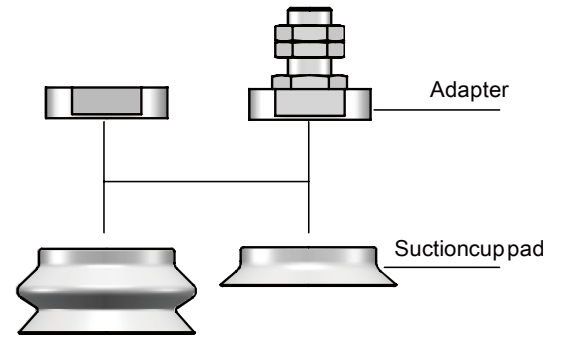


Model	Size(mm)						
	dn	d2	D	D1	DS	Z	H
MP-40HB	6	28.3	41.4	30	42.3	13	20.5
MP-50HB	6	36.2	52	40.5	52.7	16.5	24
MP-63HB	8	46	65.1	50	66.4	21.5	31.5
MP-80HB	8	60.1	82.8	64	83.8	27.5	37
MP-100HB	10	72.5	103	80	103.9	35.5	47.5
MP-125HB	10	92.2	128.5	105	131.6	44	56



Structure

- Internal inlaid reinforcing plate, With a split structure design, vulnerable elements can be easily replaced



Guide to purchase

MP T 40 H N - A14

① ② ③ ④ ⑤ ⑥

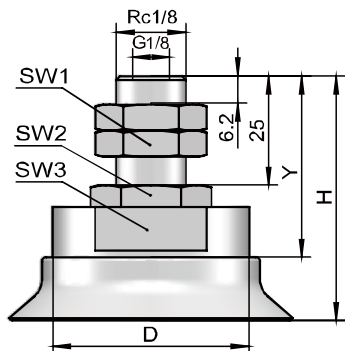
① Product series	② Vacuum port direction	③ Size specification	④ Shape specification
MP	T - Vertical	40 - φ 40mm 50 - φ 50mm 63 - φ 63mm 80 - φ 80mm 100 - φ 100mm 125 - φ 125mm	H flat type (Flat type with ribs) HB 1.5 fold bellow type (Ribbed type)
⑤ Material of suction cup		⑥ Adapter specification	
N - nitrilerubber S - siliconerubber		A14 - M14×1 male thread A16 - M16×1.5 male thread B8 - M8×1.25 female thread B10 - M10×1.5 female thread B12 - M12×1.75 female thread B16 - M16×1.5 female thread	

Model specifications

Model specification	Shape specification		Connection specification					
	H	HB	Vacuum port direction T - Vertical			T - Vertical		
			A14	A16	B8	B10	B12	B16
			M14×1 male thread	M16×1.5 male thread	M8×1.25 female thread	M10×1.5 female thread	M12×1.75 female thread	M16×1.5 female thread
φ40	●	●	●	-	●	●	-	-
φ50	●	●	●	-	●	●	-	-
φ63	●	●	-	●	●	●	●	●
φ80	●	●	-	●	●	●	●	●
φ100	●	●	-	●	-	-	●	●
φ125	●	●	-	●	-	-	●	●

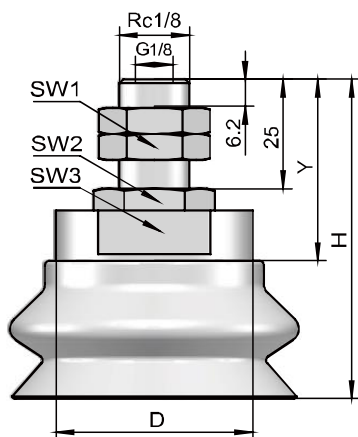
Design parameters

MPT 40 to 125 H □ -A□



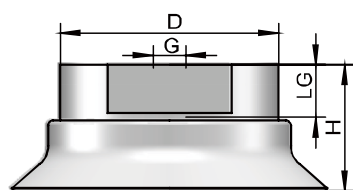
Model	Size(mm)						
	H	Y	D	SW1	SW2	SW3	G
MP-T40H-A14	53	41.5	28	19	19	24	M14
MP-T50H-A14	53	41.5	28	19	19	24	M14
MP-T63H-A16	56	41.5	45	22	24	37	M16
MP-T80H-A16	58	41.5	45	22	24	37	M16
MP-T100H-A16	64	43	70	22	24	60	M16
MP-T125H-A16	64	43	70	22	24	60	M16

MPT 40 to 125 HB □ -A□



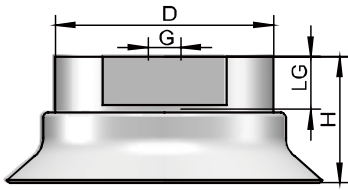
Model	Size(mm)						
	H	Y	D	SW1	SW2	SW3	G
MP-T40HB-A14	62	41.5	28	19	19	24	M14
MP-T50HB-A14	65.5	41.5	28	19	19	24	M14
MP-T63HB-A16	73	41.5	45	22	24	37	M16
MP-T80HB-A16	78.5	41.5	45	22	24	37	M16
MP-T100HB-A16	90.5	43	70	22	24	60	M16
MP-T125HB-A16	99	43	70	22	24	60	M16

MPT 40 to 125 H □ -B□



Model	Size(mm)			
	H	D	G	LG
MP-T40H-B8	23	28	M8×1.25	10
MP-T40H-B10	23	28	M10×1.5	10
MP-T50H-B8	23	28	M8×1.25	10
MP-T50H-B10	23	28	M10×1.5	10
MP-T63H-B8	26	28	M8×1.25	10
MP-T63H-B10	26	45	M10×1.5	10
MP-T63H-B12	26	45	M12×1.75	10
MP-T63H-B16	26	45	M16×1.5	10
MP-T80H-B8	28	45	M8×1.25	10
MP-T80H-B10	28	45	M10×1.5	10
MP-T80H-B12	28	45	M12×1.75	10
MP-T80H-B16	28	45	M16×1.5	10
MP-T100H-B12	34	70	M12×1.75	11
MP-T100H-B16	34	70	M16×1.5	11
MP-T125H-B12	34	70	M12×1.75	11
MP-T125H-B16	34	70	M16×1.5	11

MPT 40 to 125 H □ -B□

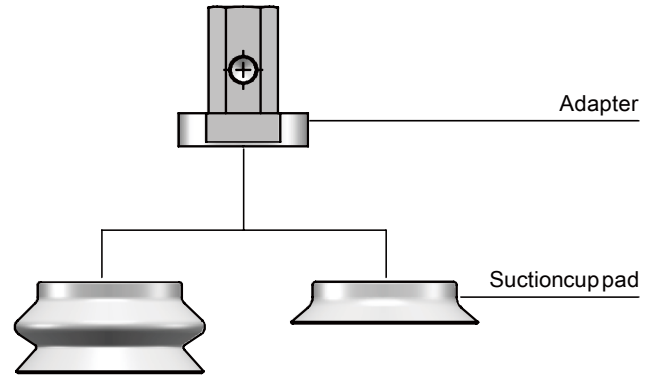


Model	Size(mm)			
	H	D	G	LG
MP-T40H-B8	23	28	M8×1.25	10
MP-T40H-B10	23	28	M10×1.5	10
MP-T50H-B8	23	28	M8×1.25	10
MP-T50H-B10	23	28	M10×1.5	10
MP-T63H-B8	26	28	M8×1.25	10
MP-T63H-B10	26	45	M10×1.5	10
MP-T63H-B12	26	45	M12×1.75	10
MP-T63H-B16	26	45	M16×1.5	10
MP-T80H-B8	28	45	M8×1.25	10
MP-T80H-B10	28	45	M10×1.5	10
MP-T80H-B12	28	45	M12×1.75	10
MP-T80H-B16	28	45	M16×1.5	10
MP-T100H-B12	34	70	M12×1.75	11
MP-T100H-B16	34	70	M16×1.5	11
MP-T125H-B12	34	70	M12×1.75	11
MP-T125H-B16	34	70	M16×1.5	11



Structure

- Internal inlaid reinforcing plate, With a split structure design, vulnerable elements can be easily replaced



Guide to purchase

MP X 40 H N B01 - B8

① ② ③ ④ ⑤ ⑥

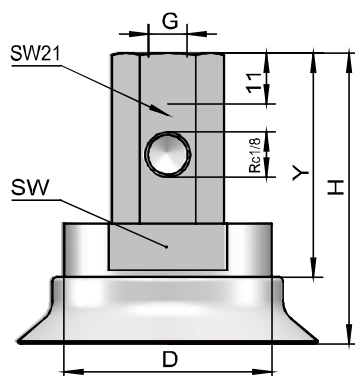
① Product series	② Vacuum port direction	③ Size specification	④ Shape specification
MP	X - Horizontal	40 - φ 40mm 50 - φ 50mm 63 - φ 63mm 80 - φ 80mm 100 - φ 100mm 125 - φ 125mm	H flat type (Flat type with ribs) HB 1.5 fold bellow type (Ribbed type)
		⑤ Material of suction cup	⑥ Adapter specification
		N - nitrilerubber S - siliconerubber	B01-B8 - vacuum port with Rc1/8 female thread, fitted to M8×1.25 female thread B01-B10 - vacuum port with Rc1/8 female thread, fitted to M10×1.5 female thread B01-B12 - vacuum port with Rc1/8 female thread, fitted to M12×1.75 female thread

Model specifications

Model specification	Shape specification		Connection specification		
	H	HB	B01B8	B01B10	B01B12
			vacuum port with Rc1/8 female thread, fitted to M8×1.25 female thread	vacuum port with Rc1/8 female thread, fitted to M10×1.5 female thread	vacuum port with Rc1/8 female thread, fitted to M12×1.75 female thread
φ40	●	●	●	●	-
φ50	●	●	●	●	-
φ63	●	●	-	●	●
φ80	●	●	-	●	●
φ100	●	●	-	●	●
φ125	●	●	-	●	●

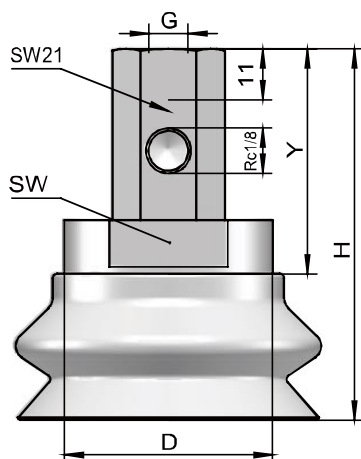
Design parameters

MPX 40 to 125 H □ -B□



Model	Size(mm)				
	H	Y	D	G	SW
MP-X40H-B01-B8	60	48.5	28	M8×1.25	24
MP-X40H-B01-B10	60	48.5	28	M10×1.5	24
MP-X50H-B01-B8	60	48.5	28	M8×1.25	24
MP-X50H-B01-B10	60	48.5	28	M10×1.5	24
MP-X63H-B01-B10	63	48.5	45	M10×1.5	37
MP-X63H-B01-B12	63	48.5	45	M12×1.75	37
MP-X80H-B01-B10	65	48.5	45	M10×1.5	37
MP-X80H-B01-B12	65	48.5	45	M12×1.75	37
MP-X100H-B01-B10	71	50	70	M10×1.5	60
MP-X100H-B01-B12	71	50	70	M12×1.75	60
MP-X125H-B01-B10	71	50	70	M10×1.5	60
MP-X125H-B01-B12	71	50	70	M12×1.75	60

MPX 40 to 125 HB □ -B□

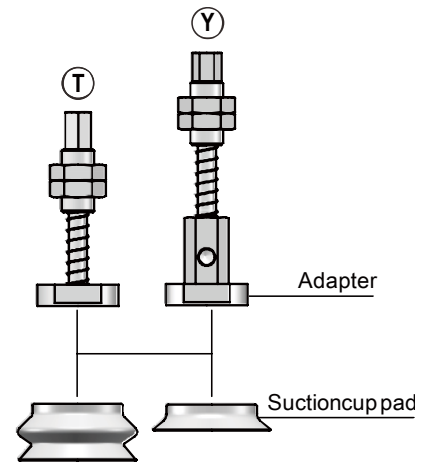


Model	Size(mm)				
	H	Y	D	G	SW
MP-X40HB-B01-B8	69	48.5	28	M8×1.25	24
MP-X40HB-B01-B10	69	48.5	28	M10×1.5	24
MP-X50HB-B01-B8	72.5	48.5	28	M8×1.25	24
MP-X50HB-B01-B10	72.5	48.5	28	M10×1.5	24
MP-X63HB-B01-B10	80	48.5	45	M10×1.5	37
MP-X63HB-B01-B12	80	48.5	45	M12×1.75	37
MP-X80HB-B01-B10	85.5	48.5	45	M10×1.5	37
MP-X80HB-B01-B12	85.5	48.5	45	M12×1.75	37
MP-X100HB-B01-B10	97.5	50	70	M10×1.5	60
MP-X100HB-B01-B12	97.5	50	70	M12×1.75	60
MP-X125HB-B01-B10	100	50	70	M10×1.5	60
MP-X125HB-B01-B12	100	50	70	M12×1.75	60



Structure

- Internal inlaid reinforcing plate
- The product consists of a suction cup and a buffer plunger
- The vacuum port in vertical direction is installed with a male threaded nut
- The vacuum port in horizontal direction is installed with a male threaded nut



Guide to purchase

MP T 40 H N JF 25 B01-A18
 ① ② ③ ④ ⑤ ⑥ ⑦ ⑧

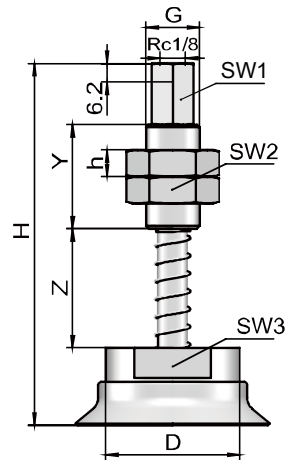
① Product series	② Vacuum port direction	③ Size specification	④ Shape specification	⑤ Material of suction cup
MP	T - Vertical X - Horizontal	40 - φ40mm 50 - φ50mm 63 - φ63mm 80 - φ80mm 100 - φ100mm 125 - φ125mm	H flat type (Flat type with ribs) HB 1.5 fold bellows type (Ribbed type)	N - nitrile rubber S - siliconerubber
⑥ Buffer body material		⑦ Buffer stroke	⑧ Vacuum inlet thread size and Mounting thread size	
JF - Stainless steel + With bushing		25 - 25mm 50 - 50mm 75 - 75mm 100 - 100mm	B01A18 - vacuum port with Rc1/8 female thread, fitted to M8×1.25 male thread B01A22 - vacuum port with Rc1/8 female thread, fitted to M22×1.25 male thread	

Model specifications

Model specification	Shape specification		Vacuum port direction		Buffer stroke mm				Connection specification	
	H	HB	T - Vertical	X - Horizontal	25	50	75	100	B01A18 vacuum port with Rc1/8 female thread, fitted to M8×1.25 male thread	B01A22 vacuum port with Rc1/8 female thread, fitted to M22×1.25 male thread
φ40	●	●	●	●	●	●	●	-	●	-
φ50	●	●	●	●	●	●	●	-	●	-
φ63	●	●	●	●	●	●	●	-	●	-
φ80	●	●	●	●	●	●	●	-	●	-
φ100	●	●	●	●	●	●	●	●	-	●
φ125	●	●	●	●	●	●	●	●	-	●

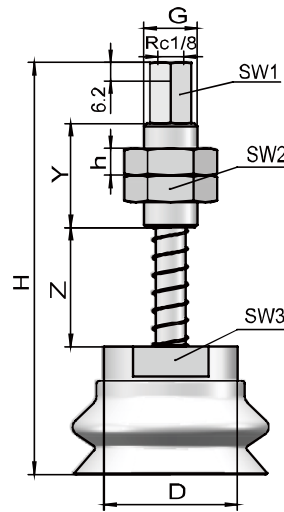
Design parameters

MPT 40 to 125 H ...B01-A□



Model	Size(mm)									
	H	Y	D	h	G	SW1	SW2	SW3	Z	
MP-T40HJF25 -B01-A18	118.5	35	28	11	M18×1.5	14	27	24	25	
MP-T40HJF50 -B01-A18	153.5	35	28	11	M18×1.5	14	27	24	50	
MP-T40HJF75 -B01-A18	189.5	35	28	11	M18×1.5	14	27	24	75	
MP-T50HJF25 -B01-A18	118.5	35	28	11	M18×1.5	14	27	24	25	
MP-T50HJF50 -B01-A18	153.5	35	28	11	M18×1.5	14	27	24	50	
MP-T50HJF75 -B01-A18	189.5	35	28	11	M18×1.5	14	27	24	75	
MP-T63HJF25 -B01-A18	121.5	35	45	11	M18×1.5	14	27	37	25	
MP-T63HJF50 -B01-A18	156.5	35	45	11	M18×1.5	14	27	37	50	
MP-T63HJF75 -B01-A18	192.5	35	45	11	M18×1.5	14	27	37	75	
MP-T80HJF25 -B01-A18	123.5	35	45	11	M18×1.5	14	27	37	25	
MP-T80HJF50 -B01-A18	158.5	35	45	11	M18×1.5	14	27	37	50	
MP-T80HJF75 -B01-A18	194.5	35	45	11	M18×1.5	14	27	37	75	
MP-T100HJF25 -B01-A22	152	50	70	8	M22×1.5	17	30	60	25	
MP-T100HJF50 -B01-A22	168	50	70	8	M22×1.5	17	30	60	50	
MP-T100HJF75 -B01-A22	228	50	70	8	M22×1.5	17	30	60	75	
MP-T100HJF100 -B01-A22	263	50	70	8	M22×1.5	17	30	60	100	
MP-T125HJF25 -B01-A22	152	50	70	8	M22×1.5	17	30	60	25	
MP-T125HJF50 -B01-A22	168	50	70	8	M22×1.5	17	30	60	50	
MP-T125HJF75 -B01-A22	228	50	70	8	M22×1.5	17	30	60	75	
MP-T125HJF100 -B01-A22	263	50	70	8	M22×1.5	17	30	60	100	

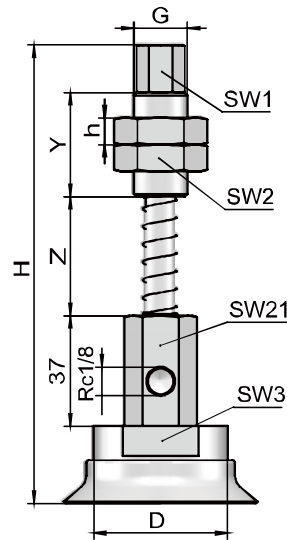
MPT 40 to 125 HB ...B01-A□



Model	Size(mm)									
	H	Y	D	h	G	SW1	SW2	SW3	Z	
MP-T40HBJF25 -B01-A18	127.5	35	28	11	M18×1.5	14	27	24	25	
MP-T40HBJF50 -B01-A18	162.5	35	28	11	M18×1.5	14	27	24	50	
MP-T40HBJF75 -B01-A18	198.5	35	28	11	M18×1.5	14	27	24	75	
MP-T50HBJF25 -B01-A18	131	35	28	11	M18×1.5	14	27	24	25	
MP-T50HBJF50 -B01-A18	166	35	28	11	M18×1.5	14	27	24	50	
MP-T50HBJF75 -B01-A18	202	35	28	11	M18×1.5	14	27	24	75	
MP-T63HBJF25 -B01-A18	138.5	35	45	11	M18×1.5	14	27	37	25	
MP-T63HBJF50 -B01-A18	173.5	35	45	11	M18×1.5	14	27	37	50	
MP-T63HBJF75 -B01-A18	209.5	35	45	11	M18×1.5	14	27	37	75	
MP-T80HBJF25 -B01-A18	144	35	45	11	M18×1.5	14	27	37	25	
MP-T80HBJF50 -B01-A18	179	35	45	11	M18×1.5	14	27	37	50	
MP-T80HBJF75 -B01-A18	215	35	45	11	M18×1.5	14	27	37	75	
MP-T100HBJF25 -B01-A22	178.5	50	70	8	M22×1.5	17	30	60	25	
MP-T100HBJF50 -B01-A22	214.5	50	70	8	M22×1.5	17	30	60	50	
MP-T100HBJF75 -B01-A22	254.5	50	70	8	M22×1.5	17	30	60	75	
MP-T100HBJF100 -B01-A22	289.5	50	70	8	M22×1.5	17	30	60	100	
MP-T125HBJF25 -B01-A22	187	50	70	8	M22×1.5	17	30	60	25	
MP-T125HBJF50 -B01-A22	223	50	70	8	M22×1.5	17	30	60	50	
MP-T125HBJF75 -B01-A22	263	50	70	8	M22×1.5	17	30	60	75	
MP-T125HBJF100 -B01-A22	298	50	70	8	M22×1.5	17	30	60	100	

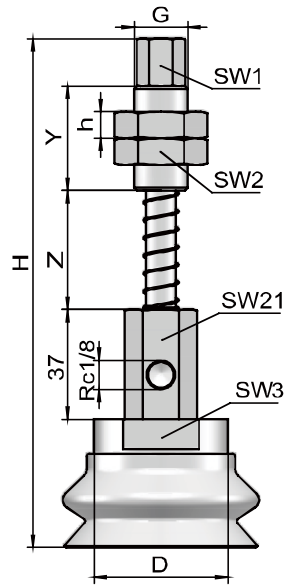


MPX 40 to 125 H...B01-A□



Model	Size(mm)									
	H	Y	D	h	G	SW1	SW2	SW3	Z	
MP-X40HJF25 -B01-A18	151	35	28	11	M18×1.5	14	27	24	25	
MP-X40HJF50 -B01-A18	186	35	28	11	M18×1.5	14	27	24	50	
MP-X40HJF75 -B01-A18	222	35	28	11	M18×1.5	14	27	24	75	
MP-X50HJF25 -B01-A18	151	35	28	11	M18×1.5	14	27	24	25	
MP-X50HJF50 -B01-A18	186	35	28	11	M18×1.5	14	27	24	50	
MP-X50HJF75 -B01-A18	222	35	28	11	M18×1.5	14	27	24	75	
MP-X63HJF25 -B01-A18	154	35	45	11	M18×1.5	14	27	37	25	
MP-X63HJF50 -B01-A18	189	35	45	11	M18×1.5	14	27	37	50	
MP-X63HJF75 -B01-A18	225	35	45	11	M18×1.5	14	27	37	75	
MP-X80HJF25 -B01-A18	156	35	45	11	M18×1.5	14	27	37	25	
MP-X80HJF50 -B01-A18	191	35	45	11	M18×1.5	14	27	37	50	
MP-X80HJF75 -B01-A18	227	35	45	11	M18×1.5	14	27	37	75	
MP-X100HJF25 -B01-A22	186	50	70	8	M22×1.5	17	30	60	25	
MP-X100HJF50 -B01-A22	222	50	70	8	M22×1.5	17	30	60	50	
MP-X100HJF75 -B01-A22	262	50	70	8	M22×1.5	17	30	60	75	
MP-X100HJF100 -B01-A22	297	50	70	8	M22×1.5	17	30	60	100	
MP-X125HJF25 -B01-A22	186	50	70	8	M22×1.5	17	30	60	25	
MP-X125HJF50 -B01-A22	222	50	70	8	M22×1.5	17	30	60	50	
MP-X125HJF75 -B01-A22	262	50	70	8	M22×1.5	17	30	60	75	
MP-X125HJF100 -B01-A22	297	50	70	8	M22×1.5	17	30	60	100	

MPX 40 to 125 HB ...B01-A□



Model	Size(mm)									
	H	Y	D	h	G	SW1	SW2	SW3	Z	
MP-X40HBJF25 -B01-A18	160	35	28	11	M18×1.5	14	27	24	25	
MP-X40HBJF50 -B01-A18	195	35	28	11	M18×1.5	14	27	24	50	
MP-X40HBJF75 -B01-A18	231	35	28	11	M18×1.5	14	27	24	75	
MP-X50HBJF25 -B01-A18	163.5	35	28	11	M18×1.5	14	27	24	25	
MP-X50HBJF50 -B01-A18	198.5	35	28	11	M18×1.5	14	27	24	50	
MP-X50HBJF75 -B01-A18	234.5	35	28	11	M18×1.5	14	27	24	75	
MP-X63HBJF25 -B01-A18	171	35	45	11	M18×1.5	14	27	37	25	
MP-X63HBJF50 -B01-A18	206	35	45	11	M18×1.5	14	27	37	50	
MP-X63HBJF75 -B01-A18	242	35	45	11	M18×1.5	14	27	37	75	
MP-X80HBJF25 -B01-A18	176.5	35	45	11	M18×1.5	14	27	37	25	
MP-X80HBJF50 -B01-A18	211.5	35	45	11	M18×1.5	14	27	37	50	
MP-X80HBJF75 -B01-A18	247.5	35	45	11	M18×1.5	14	27	37	75	
MP-X100HBJF25 -B01-A22	212.5	50	70	8	M22×1.5	17	30	60	25	
MP-X100HBJF50 -B01-A22	248.5	50	70	8	M22×1.5	17	30	60	50	
MP-X100HBJF75 -B01-A22	288.5	50	70	8	M22×1.5	17	30	60	75	
MP-X100HBJF100 -B01-A22	323.5	50	70	8	M22×1.5	17	30	60	100	
MP-X125HBJF25 -B01-A22	221	50	70	8	M22×1.5	17	30	60	25	
MP-X125HBJF50 -B01-A22	257	50	70	8	M22×1.5	17	30	60	50	
MP-X125HBJF75 -B01-A22	297	50	70	8	M22×1.5	17	30	60	75	
MP-X125HBJF100 -B01-A22	332	50	70	8	M22×1.5	17	30	60	100	