



MP2-HT Heavy-duty flat suction cup

Size: 150–250mm

Material: N, S



Heavy-duty

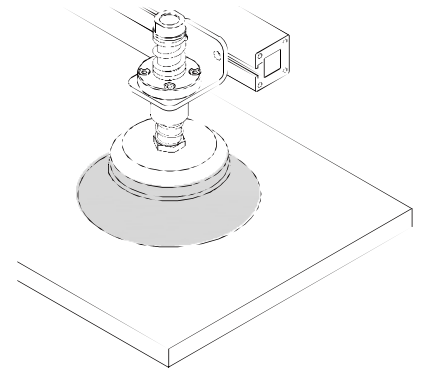


Introduction

- A support structure in the bottom
- Can prevent permanent deformation of thin-walled workpieces
- The mounting plate and the suction cup are bonded together by vulcanization so as to form a firmer structure

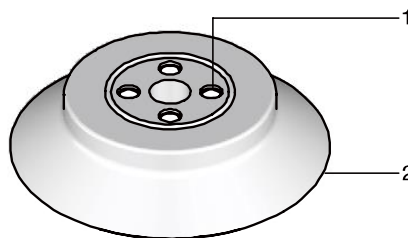
Application

- Handles workpieces with smooth and even surfaces, such as glass or plastic plates, etc., being capable of maintaining the holding force for a long time
- Handles large workpieces with surfaces curved to a certain degree



Structure

- (1) Mounting hole
- (2) Main body of suction cup





purchase guide

MP2 150 HT N

- ① ② ③ ④

① Product series	② Size specification	③ Shape of Suction Cup	④ Material
MP2	150 - ϕ 150mm 250 - ϕ 250mm	HT - Flat reinforced	N - Nitrilerubber S - Silicone rubber

Technical parameters

Model	Suction force N	Internal Volume cm ³	Weight g
MP2 150 HT □	970	108	350
MP2 250 HT □	2690	570	831

Design parameters

