



# MP2-PEEK Vacuum suction cup core

Size : 6-32mm

Material : PEEK、PGEK(anti-static)



3C product

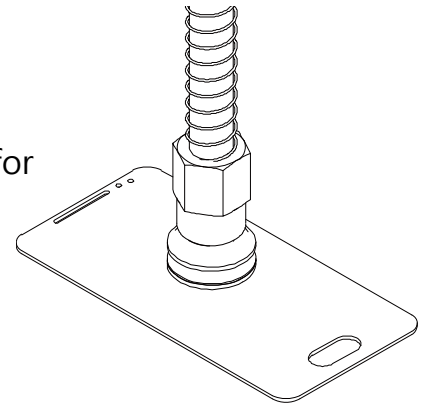


## Introduction

- Equipped with a core made of the PEEK material on the basis of the MPT Type-B bellows series, the traceless suction cup core of this series can effectively prevent the suction cup made of rubber from adhering to the suctioned object so as to achieve traceless suction.

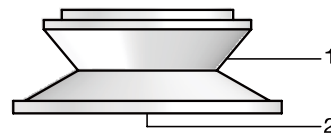
## Application

- Mainly suitable for applications with requirements for suction trace, e.g. semiconductor, display and photovoltaic industries, etc.



## Structure

- (1) Suction cup connecting part
- (2) Suction surface



## purchase guide

### MP2 - 06 PEEK

- ①
- ②
- ③

| ① Product series | ② Size specification   | ③ Cup core material   |
|------------------|--|---|
| MP2              | 06 - φ6mm<br>08 - φ8mm<br>10 - φ10mm<br>13 - φ13mm<br>16 - φ16mm<br>20 - φ20mm<br>25 - φ25mm<br>32 - φ32mm | PEEK - Polyether ether ketone<br>PGEK - Static-proof polyether ether ketone |

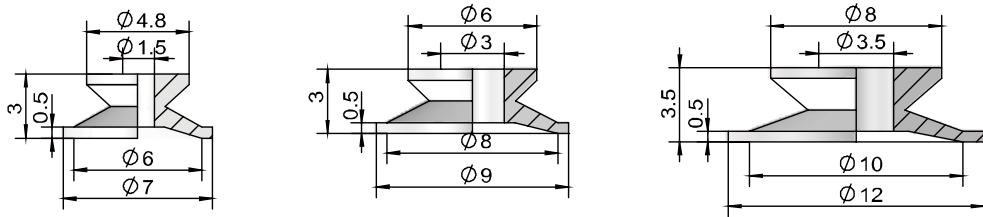


## Material data

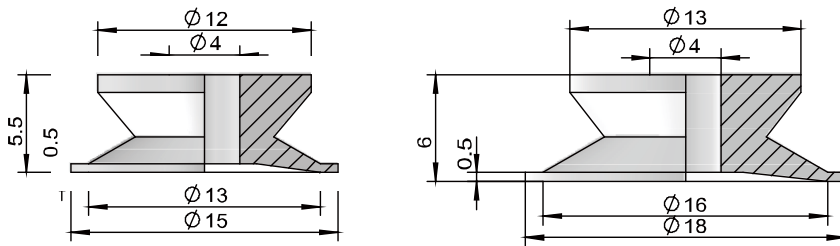
| Model | Material                            | Rockwell hardness HRC | Applicable temperature range | Color | Surface specific resistance           | Applicable suction cup diameter |
|-------|-------------------------------------|-----------------------|------------------------------|-------|---------------------------------------|---------------------------------|
| PEEK  | Polyether ether ketone              | 105                   | -10~250°C                    | Beige | -                                     | φ6~φ32                          |
| PGEK  | Static-proof polyether ether ketone | 105                   | -10~250°C                    | Black | 10 <sup>4</sup> ~10 <sup>8</sup> Ω.cm | φ6~φ32                          |

## Design parameters

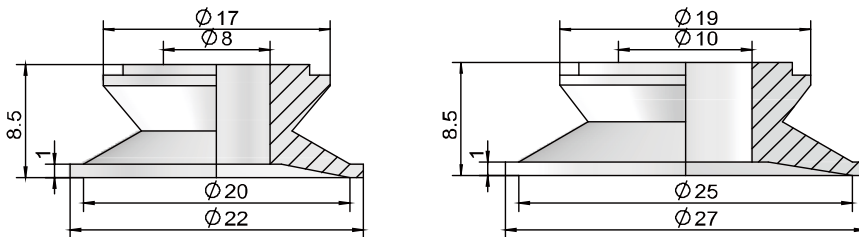
MP2-06 to 10 □



MP2-13 to 16 □



MP2-20 to 25 □



MP2-32 □

