



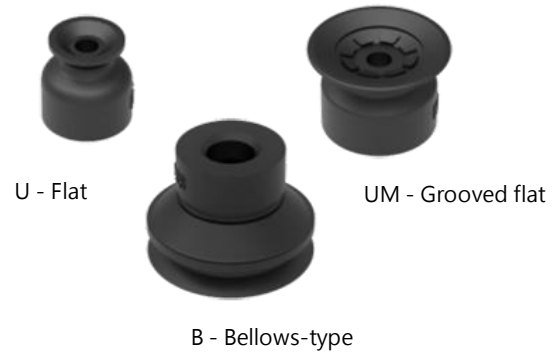
MP3 Small vacuum suction cup -Traceless Static-proof

Size: 1.5–16mm

Material: N, S, GN, GS, GHN



3C product

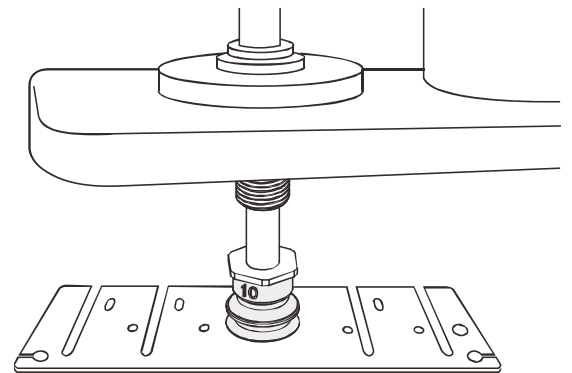


Introduction

- Type U is suitable for even surfaces unlikely deforming
- Type UM is applicable to suctioning workpieces likely deforming
- Type B is applicable to suctioning workpieces with sloping surfaces
- Applicable to handling small-sized lightweight workpieces

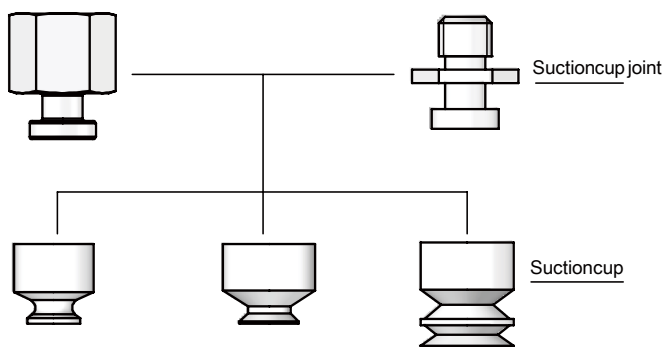
Application

- The special traceless static-proof material is applicable to the 3C product industry
- Suitable for the application in which the installation space is limited



Structure

- With a split structure design, vulnerable elements can be easily replaced



purchase guide

MP3 - 04 UM N - A5

- ① ② ③ ④ ⑤

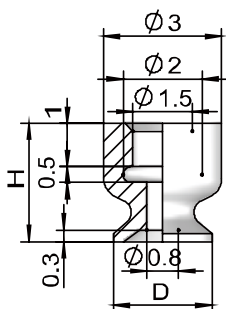
① Product series	② Size specification	③ Shape specification	④ Material of suction cup	⑤ Joint specification
MP3	015 - ϕ 1.5mm 02 - ϕ 2.0mm 035 - ϕ 3.5mm 04 - ϕ 4.0mm 06 - ϕ 6.0mm 08 - ϕ 8.0mm 10 - ϕ 10mm 13 - ϕ 13mm 16 - ϕ 16mm	U - Flat UM- Grooved flat B - Bellows-type	N-nitrilerubber S- siliconerubber F - fluorine rubber GN - static-proofnitrile rubber (Staticresistanceindex:10 ⁵ -10 ⁶) GS - static-proofsiliconerubber (Staticresistanceindex:10 ⁵ -10 ⁶) GHN- tracelessconductivenitrile rubber (Staticresistanceindex:10 ⁵ -10 ⁶)	Null - Bare suction cup A3 - M3×0.5 male thread A5 - M5×0.8 male thread B3 - M3×0.5 female thread B5 - M5×0.8 female thread

Model specifications

Model specification	Shape specification			Connection specification			
	U	UM	B	A3 (M3×0.5 male thread)	A5 (M5×0.8 male thread)	B3 (M3×0.5 female thread)	B5 (M5×0.8 female thread)
ϕ 1.5	●	-	-	●	-	●	-
ϕ 2.0	●	-	-	●	-	●	-
ϕ 3.5	●	-	-	●	-	●	-
ϕ 4.0	-	●	●	-	●	-	●
ϕ 6.0	-	●	●	-	●	-	●
ϕ 8.0	-	●	●	-	●	-	●
ϕ 10	-	●	●	-	●	-	●
ϕ 13	-	●	●	-	●	-	●
ϕ 16	-	●	●	-	●	-	●

Design parameters

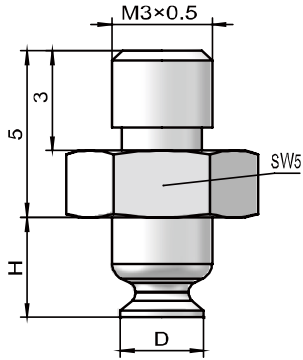
MP3-015 to 035 U



Model	(mm)			weight g
	D	H		
MP3-015U□	2.0	3.0		0.1
MP3-02U□	2.5	3.0		0.1
MP3-035U□	4.0	3.0		0.1

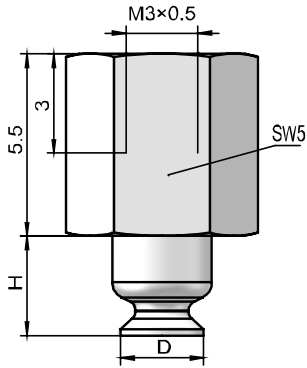


MP3-015 to 035 U □ -A3 (M3×0.5 male thread)



Model	(mm)		weight g	Applicable joint model
	D	H		
MP3-015U□ -A3	2.0	3.0	0.6	MP3A-T1-A3
MP3-02U□ -A3	2.5	3.0	0.6	MP3A-T1-A3
MP3-035U□ -A3	4.0	3.0	0.6	MP3A-T1-A3

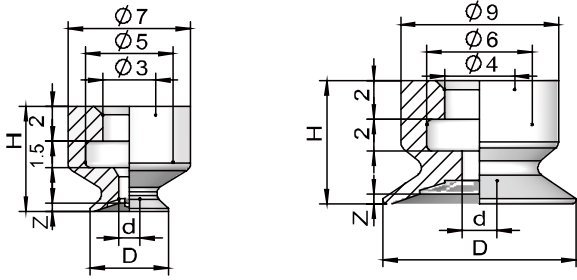
MP3-015 to 035 U □ -B3 (M3× 0.5 female thread)



Model	(mm)		weight g	Applicable joint model
	D	H		
MP3-015U□ -B3	2.0	3.0	0.9	MP3A-T1-B3
MP3-02U□ -B3	2.5	3.0	0.9	MP3A-T1-B3
MP3-035U□ -B3	4.0	3.0	0.9	MP3A-T1-B3

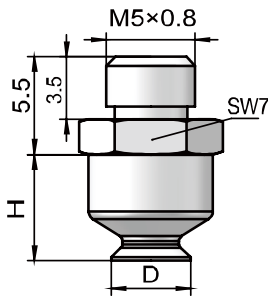
MP3-04 to 08 UM

MP3-10 to 16 UM



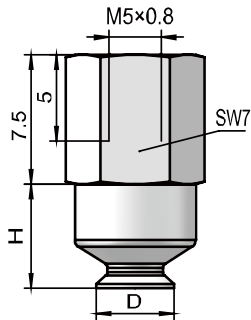
Model	(mm)				
	D	H	d	Z	weight g
MP3-04 UM □	4.5	6	1.2	0.5	0.3
MP3-06 UM □	6.5	6	2.0	0.8	0.3
MP3-08 UM □	8.5	6	2.0	0.8	0.3
MP3-10 UM □	11	7	2.0	1.0	0.6
MP3-13 UM □	14	7	2.0	1.2	0.7
MP3-16 UM □	17	7	2.0	1.2	0.8

MP3-04 to 16 UM □ -A5 (M3×0.8 male thread)



Model	(mm)			Applicable joint model
	D	H	weight g	
MP3-04UM □ -A5	4.5	6	1.7	MP3A-T2-A5
MP3-06UM □ -A5	6.5	6	1.7	MP3A-T2-A5
MP3-08UM □ -A5	8.5	6	1.7	MP3A-T2-A5
MP3-10UM □ -A5	11	7	3.0	MP3A-T3-A5
MP3-13UM □ -A5	14	7	3.1	MP3A-T3-A5
MP3-16UM □ -A5	17	7	3.2	MP3A-T3-A5

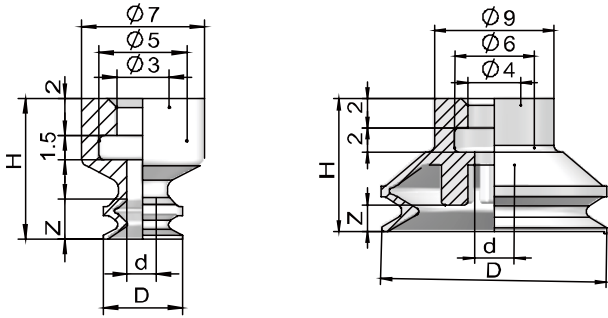
MP3-04 to 16 UM □ -B5 (M5×0.8 female thread)



Model	(mm)			Applicable joint model
	D	H	weight g	
MP3-04UM □ -B5	4.5	6	2.3	MP3A-T2-B5
MP3-06UM □ -B5	6.5	6	2.3	MP3A-T2-B5
MP3-08UM □ -B5	8.5	6	2.3	MP3A-T2-B5
MP3-10UM □ -B5	11	7	5.7	MP3A-T3-B5
MP3-13UM □ -B5	14	7	5.8	MP3A-T3-B5
MP3-16UM □ -B5	17	7	5.9	MP3A-T3-B5

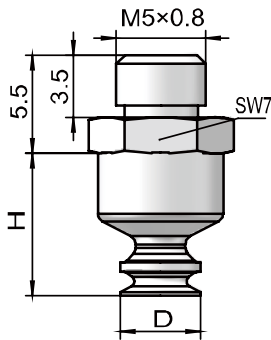
MP3-04 to 08 B

MP3-10 to 16 B



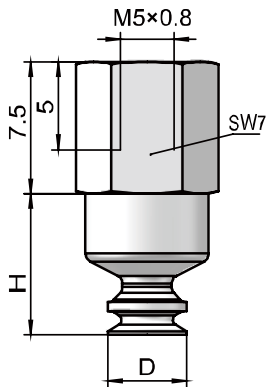
Model	(mm)				weight g
	D	H	d	Z	
MP3-04 B□	4.5	8	1.8	2.2	0.3
MP3-06 B□	7	8	2.0	3	0.3
MP3-08 B□	9	8	2.0	3	0.4
MP3-10 B□	11	10	2.0	2.0	0.8
MP3-13 B□	14	10	3.0	2.0	1.0
MP3-16 B□	17	10	3.0	2.0	1.1

MP3-04 to 16 B □ -A5 (M3×0.8 male thread)



Model	(mm)			weight g	Applicable joint model
	D	H			
MP3-04B□-A5	4.5	8	1.7	MP3A-T2-A5	
MP3-06B□-A5	7	8	1.7	MP3A-T2-A5	
MP3-08B□-A5	9	8	1.8	MP3A-T2-A5	
MP3-10B□-A5	11	10	3.2	MP3A-T3-A5	
MP3-13B□-A5	14	10	3.4	MP3A-T3-A5	
MP3-16B□-A5	17	10	3.5	MP3A-T3-A5	

MP3-04 to 16 B □ -B5 (M5×0.8 female thread)

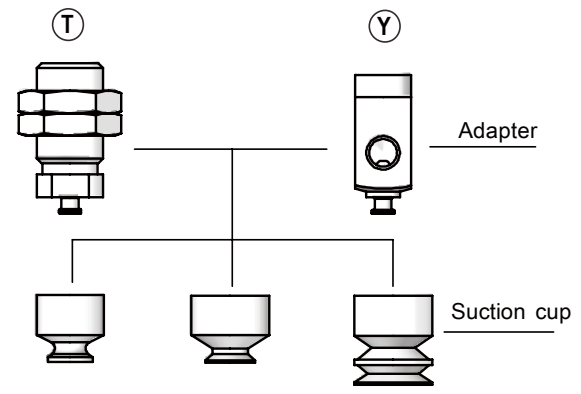


Model	(mm)			weight g	Applicable joint model
	D	H			
MP3-04B□-B5	4.5	8	2.3	MP3A-T2-B5	
MP3-06B□-B5	7	8	2.3	MP3A-T2-B5	
MP3-08B□-B5	9	8	2.4	MP3A-T2-B5	
MP3-10B□-B5	11	10	5.9	MP3A-T3-B5	
MP3-13B□-B5	14	10	6.1	MP3A-T3-B5	
MP3-16B□-B5	17	10	6.2	MP3A-T3-B5	



Structure

- The product consists of a replaceable suction cup and an adapter
- The suction cup is equipped with a plug-in joint in the connecting position
- The vacuum port in vertical direction is installed with a male threaded nut
- The vacuum port in horizontal direction is installed through female thread



Purchase guide

MP3 - T 015 U N - A6B3

- ① ② ③ ④ ⑤ ⑥

① Product series	② Vacuum port direction	③ Size specification	④ Shape specification	⑤ Material of suction cup	⑥ Adapter specification
MP3	T - Vertical	015 - φ 1.5mm	U - Flat	N-nitrilerubber	A6B3—fitted to M6×0.75 male thread Vacuum port with M3×0.5 female thread
	Y - Horizontal	02 - φ 2.0mm	UM- Grooved flat	S- siliconerubber	B3B3—fitted to M3×0.5 female thread Vacuum port with M3×0.5 female thread
		035 - φ 3.5mm	B - Bellows-type	F - fluorine rubber	A10B5—fitted to M10×1 male thread Vacuum port with M5×0.8 female thread
		04 - φ 4.0mm		GN - static-proofnitrilerubber (Staticresistanceindex: 10 ⁵ -10 ⁸)	A12B5—fitted to M12×1 male thread Vacuum port with M5×0.8 female thread
		06 - φ 6.0mm		GS - static-proofsiliconerubber (Staticresistanceindex: 10 ⁵ -10 ⁸)	B5B5—fitted to M5×0.8 female thread Vacuum port with M5×0.8 female thread
		08 - φ 8.0mm		GHN - tracelessconductivenitrilerubber (Staticresistanceindex: 10 ⁵ -10 ⁹)	
		10 - φ 10mm			
13 - φ 13mm					
16 - φ 16mm					

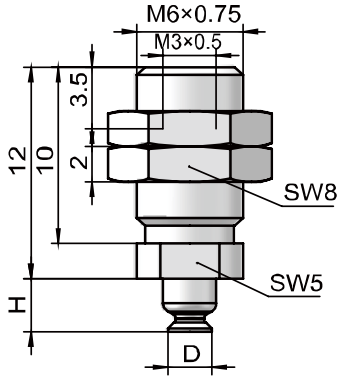
Model specifications

Model specification	Shape specification			T - Vertical			Y - Horizontal	
	U	UM	B	A6B3 fitted to M6×0.75 male thread Vacuumport with M3×0.5 female thread	A10B5 fitted to M10×1 male thread Vacuumport with M5×0.8 female thread	A12B5 fitted to M12×1 male thread Vacuumport with M5×0.8 female thread	B3B3 fitted to M3×0.5 female thread Vacuumport with M3×0.5 female thread	B5B5 fitted to M5×0.8 female thread Vacuumport with M5×0.8 female thread
φ1.5	●	-	-	●	-	-	●	-
φ2.0	●	-	-	●	-	-	●	-
φ3.5	●	-	-	●	-	-	●	-
φ4.0	-	●	●	-	●	-	-	●
φ6.0	-	●	●	-	●	-	-	●
φ8.0	-	●	●	-	●	-	-	●
φ10	-	●	●	-	-	●	-	●
φ13	-	●	●	-	-	●	-	●
φ16	-	●	●	-	-	●	-	●



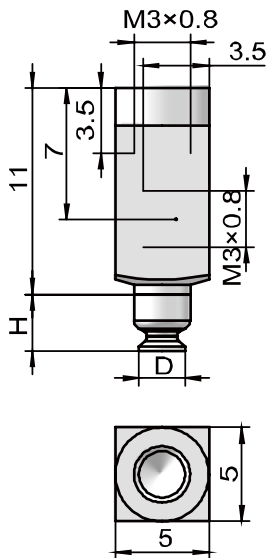
Design parameters

MP3-015 to 035 U □ -A6-B3
Vertically-mounted
fitted to M6×0.75 male thread
Vacuumport with M3×0.5 female thread



Model	(mm)			Applicable adapter model
	D	H	weight g	
MP3-T015U □ -A6-B3	2.0	3.0	2.8	MP3A-T1-A6-B3
MP3-T02U □ -A6-B3	2.5	3.0	2.8	MP3A-T1-A6-B3
MP3-T035U □ -A6-B3	4.0	3.0	2.8	MP3A-T1-A6-B3

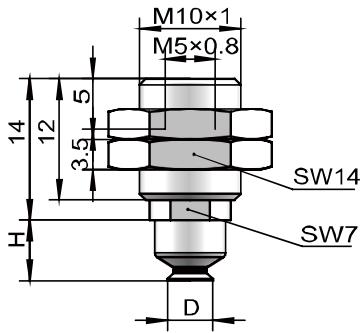
MP3-015 to 035 U □ -B3-B3
Horizontally-mounted
fitted to M3×0.5 female thread
Vacuumport with M3×0.5 female thread



Model	(mm)			Applicable adapter model
	D	H	weight g	
MP3-Y015U □ -B3-B3	2.0	3.0	1.9	MP3A-Y1-B3-B3
MP3-Y02U □ -B3-B3	2.5	3.0	1.9	MP3A-Y1-B3-B3
MP3-Y035U □ -B3-B3	4.0	3.0	1.9	MP3A-Y1-B3-B3

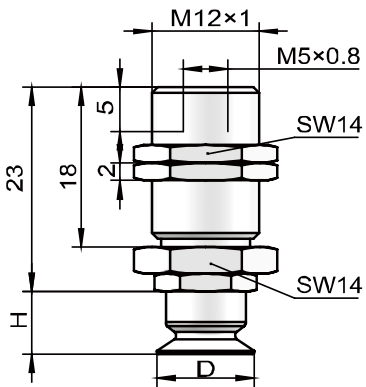


MP3-04 to 08 UM □ -A10-B5
Vertically-mounted
fitted to M10×1 male thread
Vacuumport with M5×0.8 femalethread



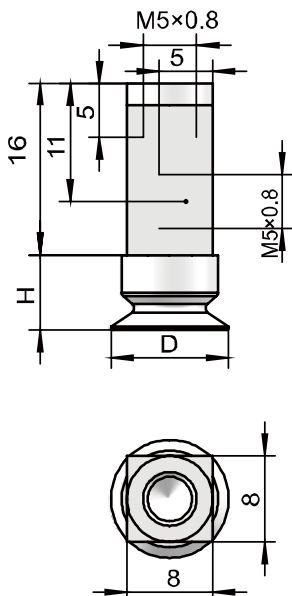
Model	(mm)			Applicable adapter model
	D	H	weight g	
MP3-T04UM □ -A10-B5	4.5	6.0	11	MP3A-T2-A10-B5
MP3-T06UM □ -A10-B5	6.5	6.0	11	MP3A-T2-A10-B5
MP3-T08UM □ -A10-B5	8.5	6.0	11	MP3A-T2-A10-B5

MP3-10 to 16 UM □ -A12-B5
Vertically-mounted
fitted to M12×1 male thread
Vacuumport with M5×0.8 femalethread



Model	(mm)			Applicable adapter model
	D	H	weight g	
MP3-T10UM □ -A12-B5	11	7.0	18.8	MP3A-T3-A12-B5
MP3-T13UM □ -A12-B5	14	7.0	18.9	MP3A-T3-A12-B5
MP3-T16UM □ -A12-B5	17	7.0	19	MP3A-T3-A12-B5

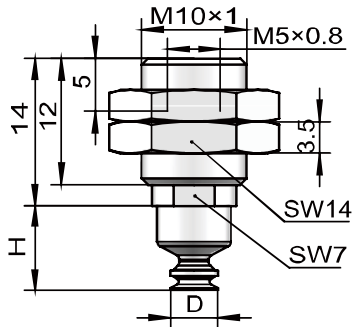
MP3-04 to 16 UM □ -B5-B5
Horizontally-mounted
fitted to M5×0.8 femalethread
Vacuumport with M5×0.8 femalethread



Model	(mm)			Applicable adapter model
	D	H	weight g	
MP3-Y04UM □ -B5-B5	4.5	6.0	7.0	MP3A-Y2-B5-B5
MP3-Y06UM □ -B5-B5	6.5	6.0	7.0	MP3A-Y2-B5-B5
MP3-Y08UM □ -B5-B5	8.5	6.0	7.0	MP3A-Y2-B5-B5
MP3-Y10UM □ -B5-B5	11	7.0	7.7	MP3A-Y3-B5-B5
MP3-Y13UM □ -B5-B5	14	7.0	7.8	MP3A-Y3-B5-B5
MP3-Y16UM □ -B5-B5	17	7.0	7.9	MP3A-Y3-B5-B5

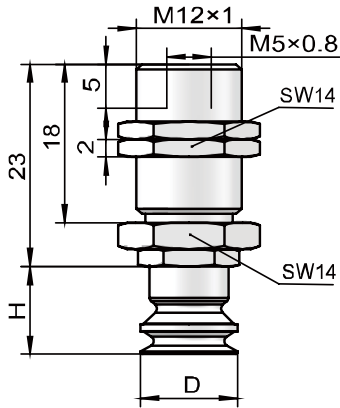


MP3-04 to 08 B □ -A10-B5
Vertically-mounted
fitted to M10×1 male thread
Vacuumport with M5×0.8 femalethread



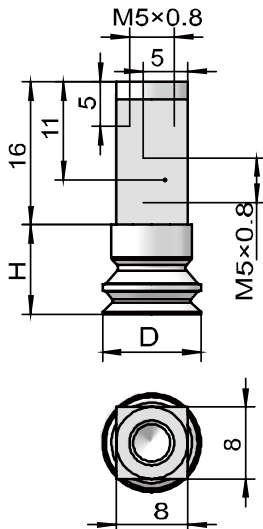
Model	(mm)			Applicable adapter model
	D	H	weight g	
MP3-T04B □ -A10-B5	4.5	8.0	11	MP3A-T2-A10-B5
MP3-T06B □ -A10-B5	7	8.0	11	MP3A-T2-A10-B5
MP3-T08B □ -A10-B5	9	8.0	11.1	MP3A-T2-A10-B5

MP3-10 to 16 B □ -A12-B5
Vertically-mounted
fitted to M12×1 male thread
Vacuumport with M5×0.8 femalethread



Model	(mm)			Applicable adapter model
	D	H	weight g	
MP3-T10B □ -A12-B5	11	10	19	MP3A-T3-A12-B5
MP3-T13B □ -A12-B5	14	10	19.2	MP3A-T3-A12-B5
MP3-T16B □ -A12-B5	17	10	19.3	MP3A-T3-A12-B5

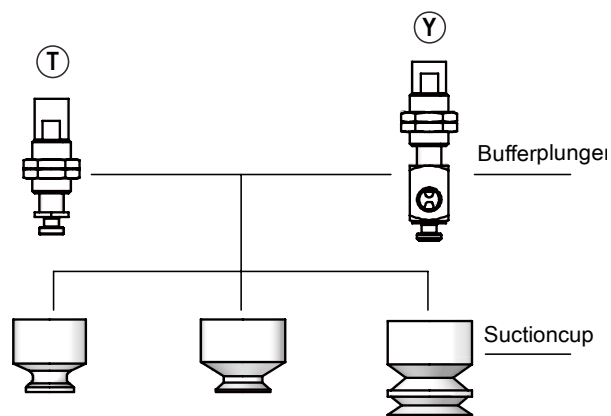
MP3-04 to 16 B □ -B5-B5
Horizontally-mounted
fitted to M5×0.8 femalethread
Vacuumport with M5×0.8 femalethread



Model	(mm)			Applicable adapter model
	D	H	weight g	
MP3-Y04B □ -B5-B5	4.5	8.0	7.0	MP3A-Y2-B5-B5
MP3-Y06B □ -B5-B5	7	8.0	7.0	MP3A-Y2-B5-B5
MP3-Y08B □ -B5-B5	9	8.0	7.1	MP3A-Y2-B5-B5
MP3-Y10B □ -B5-B5	11	10	7.9	MP3A-Y3-B5-B5
MP3-Y13B □ -B5-B5	14	10	8.1	MP3A-Y3-B5-B5
MP3-Y16B □ -B5-B5	17	10	8.2	MP3A-Y3-B5-B5

Structure

- The product consists of a replaceable suction cup and a buffer plunger
- The suction cup is equipped with a plug-in joint in the connecting position
- The vacuum port in vertical direction is installed with a male threaded nut
- The vacuum port in horizontal direction is installed with a male threaded nut



Guide to purchase

MP3 - T 015 U N - J 6 - B3

① ② ③ ④ ⑤ ⑥ ⑦ ⑧

① Product series	② Vacuum port direction	③ Size specification	④ Shape specification
MP3	T - Vertical Y - Horizontal	015 - φ1.5mm 08 - φ8.0mm 02 - φ2.0mm 10 - φ10mm 035 - φ3.5mm 13 - φ13mm 04 - φ4.0mm 16 - φ16mm 06 - φ6.0mm	U - Flat UM - Grooved flat B - Bellows-type
⑤ Material of suction cup	⑥ Slewing mode	⑦ Buffering travel	⑧ Adapter specification
N-nitrile rubber S- silicone rubber F - fluorine rubber GN - static-proof nitrile rubber (Static resistance index: 10 ⁵ -10 ⁹) GS - static-proof silicone rubber (Static resistance index: 10 ⁵ -10 ⁹) GHN - traceless conductive nitrile rubber (Static resistance index: 10 ⁵ -10 ⁹)	J - Slewing K - Non-slewing JB - Slewing, bushing-equipped	3 - 3mm 6 - 6mm 10 - 10mm 15 - 15mm 20 - 20mm	B3 - M3×0.5 female thread B5 - M5×0.8 female thread

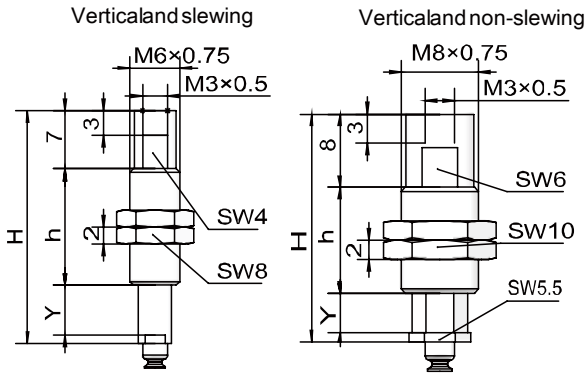
Model specifications

Model specification	Shape specification			Vacuum port direction		Slewing mode			Buffering stroke	Vacuum port specification
	U	UM	B	T- Vertical	Y- Horizontal	J (Slewing) Buffering stroke	K (Non-slewing) Buffering stroke	JB (Slewing, bushing-equipped) Buffering stroke		
φ1.5	●	-	-	●	●	3 6 10	3 6 10 15 20	-	3 6	M3×0.5 female thread
φ2.0	●	-	-	●	●	3 6 10	3 6 10 15 20	-	3 6	M3×0.5 female thread
φ3.5	●	-	-	●	●	3 6 10	3 6 10 15 20	-	3 6	M3×0.5 female thread
φ4.0	-	●	●	●	●	3 6 10	3 6 10 15 20	●	3 6 10 15 20	M5×0.8 female thread
φ6.0	-	●	●	●	●	3 6 10	3 6 10 15 20	●	3 6 10 15 20	M5×0.8 female thread
φ8.0	-	●	●	●	●	3 6 10	3 6 10 15 20	●	3 6 10 15 20	M5×0.8 female thread
φ10	-	●	●	●	●	3 6 10	3 6 10 15 20	●	3 6 10 15 20	M5×0.8 female thread
φ13	-	●	●	●	●	3 6 10	3 6 10 15 20	●	3 6 10 15 20	M5×0.8 female thread
φ16	-	●	●	●	●	3 6 10	3 6 10 15 20	●	3 6 10 15 20	M5×0.8 female thread

Design parameters

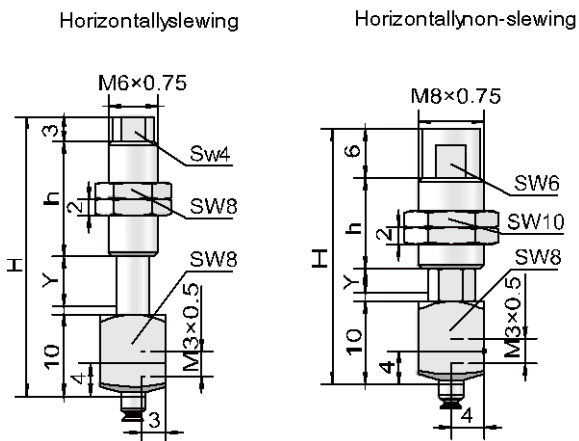
■ Type-U suction cup

MP3-015 to 035 U...



Model	(mm)				weight g	Applicable adapter model
	H	h	Y			
MP3-T □ U □ -J3-B3	21	10	3	3.4	MP3B-T1-J3-B3	
MP3-T □ U □ -J6-B3	28	14	6	4.4	MP3B-T1-J6-B3	
MP3-T □ U □ -K3-B3	23.5	11	3	6.8	MP3B-T1-K3-B3	
MP3-T □ U □ -K6-B3	30	14.5	6	8.2	MP3B-T1-K6-B3	

MP3-015 to 035 U...



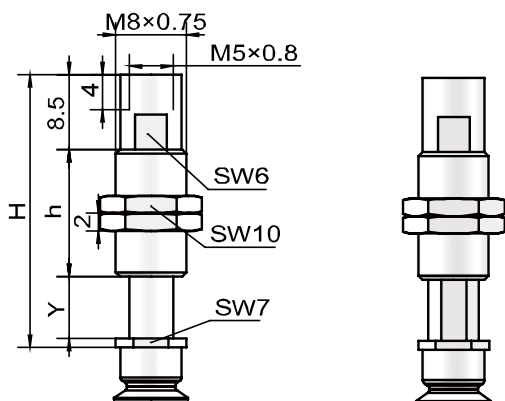
Model	(mm)				weight g	Applicable adapter model
	H	h	Y			
MP3-Y □ U □ -J3-B3	27	10	3	7.7	MP3B-Y1-J3-B3	
MP3-Y □ U □ -J6-B3	34	14	6	8.6	MP3B-Y1-J6-B3	
MP3-Y □ U □ -K3-B3	31	11	3	11.0	MP3B-Y1-K3-B3	
MP3-Y □ U □ -K6-B3	37.5	14.5	6	12.2	MP3B-Y1-K6-B3	

■ Type-UM suction cup

MP3-04 to 16 UM ...

Verticaland slewing

Verticaland non-slewing



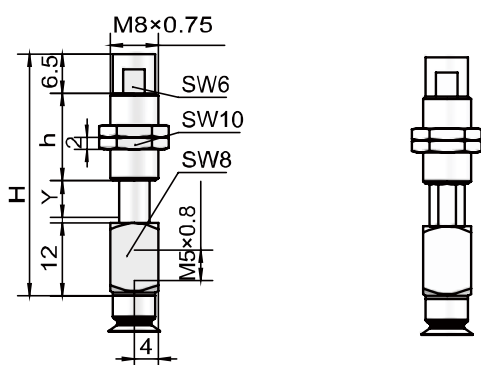
Model	(mm)			weight g	Applicable adapter model
	H	h	Y		
MP3-T □ UM □ -J3-B5	24.5	11	3	7.4	MP3B-T2A(2B)-J3-B5
MP3-T □ UM □ -J6-B5	31	14.5	6	8.6	MP3B-T2A(2B)-J6-B5
MP3-T □ UM □ -J10-B5	41	20.5	10	10.5	MP3B-T2A(2B)-J10-B5
MP3-T □ UM □ -K3-B5	24.5	11	3	7.3	MP3B-T2A(2B)-K3-B5
MP3-T □ UM □ -K6-B5	31	14.5	6	8.6	MP3B-T2A(2B)-K6-B5
MP3-T □ UM □ -K10-B5	41	20.5	10	10.5	MP3B-T2A(2B)-K10-B5

Note: 2A represents suction cup 04 to 08 and 2B suction cup 10 to 16

MP3-04 to 16 UM...

Horizontally slewing

Horizontally non-slewing



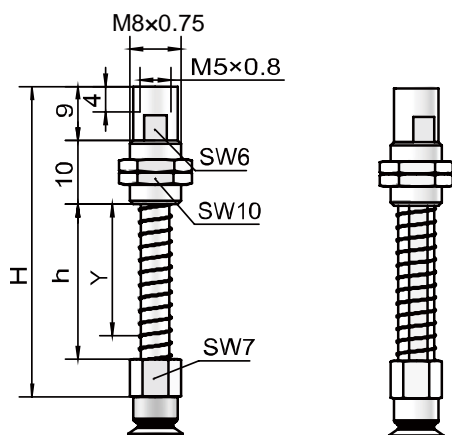
Model	(mm)			weight g	Applicable adapter model
	H	h	Y		
MP3-Y □ UM □ -J3-B5	33	11	3	12.8	MP3B-Y2A(2B)-J3-B5
MP3-Y □ UM □ -J6-B5	39.5	14.5	6	14.2	MP3B-Y2A(2B)-J6-B5
MP3-Y □ UM □ -J10-B5	49.5	20.5	10	16.6	MP3B-Y2A(2B)-J10-B5
MP3-Y □ UM □ -K3-B5	33	11	3	12.2	MP3B-Y2A(2B)-K3-B5
MP3-Y □ UM □ -K6-B5	39.5	14.5	6	13.4	MP3B-Y2A(2B)-K6-B5
MP3-Y □ UM □ -K10-B5	49.5	20.5	10	15.4	MP3B-Y2A(2B)-K10-B5

Note: 2A represents suction cup 04 to 08 and 2B suction cup 10 to 16

MP3-04 to 16 UM ...

Verticaland slewing

Verticaland non-slewing



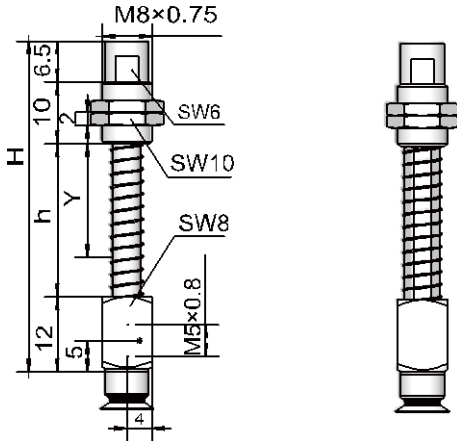
Model	(mm)			weight g	Applicable adapter model
	H	h	Y		
MP3-T □ UM □ -JB15-B5	49	24.5	15	10.3	MP3B-T2A(2B)-JB15-B5
MP3-T □ UM □ -JB20-B5	56.5	32	20	10.9	MP3B-T2A(2B)-JB20-B5
MP3-T □ UM □ -K15-B5	49	24.5	15	12.3	MP3B-T2A(2B)-K15-B5
MP3-T □ UM □ -K20-B5	56.5	32	20	13.4	MP3B-T2A(2B)-K20-B5

Note: 2A represents suction cup 04 to 08 and 2B suction cup 10 to 16

MP3-04 to 16 UM...

Horizontally slewing

Horizontally non-slewing



Model	(mm)			weight g	Applicable adapter model
	H	Y			
MP3-Y □ UM □ -JB15-B5	52.5	15		16.3	MP3B-Y2A(2B)-JB15-B5
MP3-Y □ UM □ -JB20-B5	60	20		15.1	MP3B-Y2A(2B)-JB20-B5
MP3-Y □ UM □ -K15-B5	52.5	15		15.5	MP3B-Y2A(2B)-K15-B5
MP3-Y □ UM □ -K20-B5	60	20		16.6	MP3B-Y2A(2B)-K20-B5

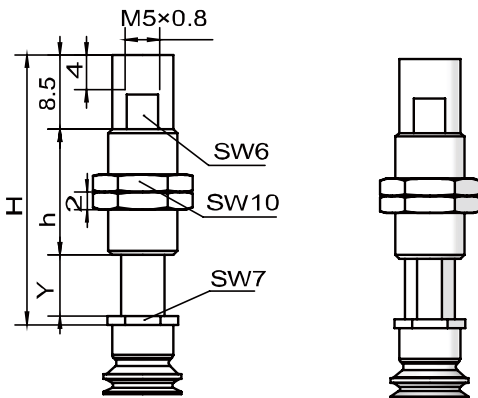
Note: 2A represents suction cup 04 to 08 and 2B suction cup 10 to 16

■ Type-B suction cup

MP3-04 to 16 B...

Vertically slewing

Vertically non-slewing



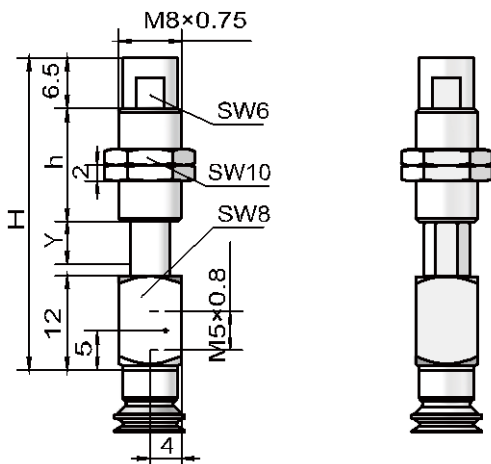
Model	(mm)			weight g	Applicable adapter model
	H	h	Y		
MP3-T □ B □ -J3-B5	24.5	11	3	7.4	MP3B-T2A(2B)-J3-B5
MP3-T □ B □ -J6-B5	31	14.5	6	8.6	MP3B-T2A(2B)-J6-B5
MP3-T □ B □ -J10-B5	41	20.5	10	10.5	MP3B-T2A(2B)-J10-B5
MP3-T □ B □ -K3-B5	24.5	11	3	7.3	MP3B-T2A(2B)-K3-B5
MP3-T □ B □ -K6-B5	31	14.5	6	8.6	MP3B-T2A(2B)-K6-B5
MP3-T □ B □ -K10-B5	41	20.5	10	10.5	MP3B-T2A(2B)-K10-B5

Note: 2A represents suction cup 04 to 08 and 2B suction cup 10 to 16

MP3-04 to 16 B...

Horizontally slewing

Horizontally non-slewing



Model	(mm)			weight g	Applicable adapter model
	H	h	Y		
MP3-Y □ B □ -J3-B5	34	11	3	12.8	MP3B-Y2A(2B)-J3-B5
MP3-Y □ B □ -J6-B5	40	14.5	6	14.2	MP3B-Y2A(2B)-J6-B5
MP3-Y □ B □ -J10-B5	50	20.5	10	16.6	MP3B-Y2A(2B)-J10-B5
MP3-Y □ B □ -K3-B5	34	11	3	12.2	MP3B-Y2A(2B)-K3-B5
MP3-Y □ B □ -K6-B5	40	14.5	6	13.4	MP3B-Y2A(2B)-K6-B5
MP3-Y □ B □ -K10-B5	50	20.5	10	15.4	MP3B-Y2A(2B)-K10-B5

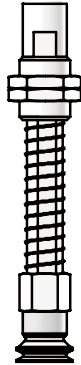
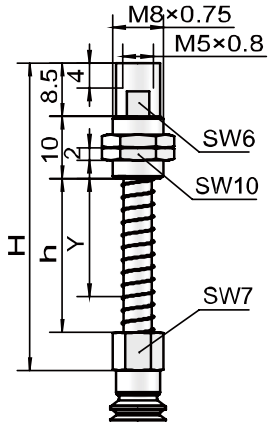
Note: 2A represents suction cup 04 to 08 and 2B suction cup 10 to 16

■ Type-B suction cup

MP3-04 to 16 B...

Verticaland slewing

Verticaland non-slewing



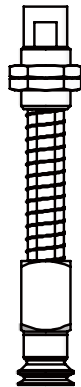
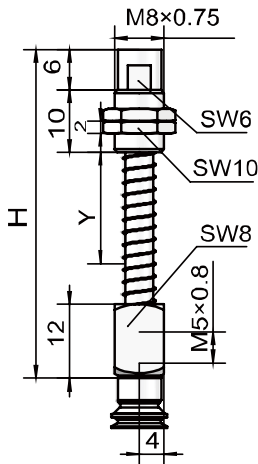
Model	(mm)			weight g	Applicable adapter model
	H	h	Y		
MP3-T □ B □ -JB15-B5	49	24.5	15	10.3	MP3B-T2A(2B)-JB15-B5
MP3-T □ B □ -JB20-B5	56.5	32	20	10.9	MP3B-T2A(2B)-JB20-B5
MP3-T □ B □ -K15-B5	49	24.5	15	12.3	MP3B-T2A(2B)-K15-B5
MP3-T □ B □ -K20-B5	56.5	32	20	13.4	MP3B-T2A(2B)-K20-B5

Note: 2A represents suction cup 04 to 08 and 2B suction cup 10 to 16

MP3-04 to 16 B...

Horizontally slewing

Horizontally non-slewing



Model	(mm)			weight g	Applicable adapter model
	H	Y			
MP3-Y □ B □ -JB15-B5	52.5	15	14.3	MP3B-Y2A(2B)-JB15-B5	
MP3-Y □ B □ -JB20-B5	60	20	15.1	MP3B-Y2A(2B)-JB20-B5	
MP3-Y □ B □ -K15-B5	52.5	15	15.5	MP3B-Y2A(2B)-K15-B5	
MP3-Y □ B □ -K20-B5	60	20	16.6	MP3B-Y2A(2B)-K20-B5	

Note: 2A represents suction cup 04 to 08 and 2B suction cup 10 to 16