



MPC large flat suction cup

Size:160-250mm

Material:N、S



Wood



Air permeability

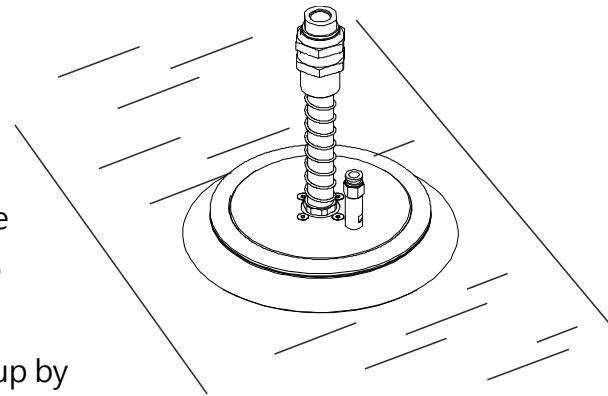


Introduction

- Special design of double sealing lip
- Has the property of separating objects.
- Applicable to various air permeable workpieces such as MDF boards, cardboards, etc.
- After stacked air permeable workpieces are gripped, the workpieces can be detached from the suction cup by blowing compressed air toward the detaching chamber of the suction cup
- Replaceable rubber suction cup

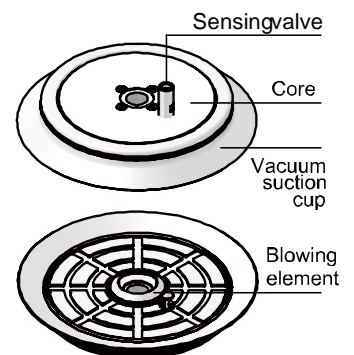
Application

- Handles workpieces with even or slightly deforming surfaces
- When the optional sensing valve detects that the product is not in contact with the workpiece, the corresponding vacuum loop can be cut off.
- Workpieces can be detached from the suction cup by blowing compressed air



Structure

- The suction cup core plates, blowing element and rubber suction cup are designed to be detachable from each other so that the vulnerable elements can be easily replaced.
- Independent functional interfaces equipped
- The optional sensing valve can prevent unexpected vacuum leakage



purchase guide

MPC 160 N G1/2-IG TV

① ② ③ ④ ⑤

① Product series	② Size specification	③ Material	④ Joint specification	⑤ Special specification
MPC	160 - ϕ 160mm 210 - ϕ 210mm 250 - ϕ 250mm	N - Nitrilerubber S - Silicone rubber	Null - Bare suction cup G1/2-IG - G1/2 female thread <small>Note: IG=Female thread When a bare suction cup is selected, the "Touchvalve" option will be disabled.</small>	Null - Standard TV -Touch Sensing valve—equipped

Model specifications

Model	Blowing element model	Sensing valve model
MPC 160...	MRP-B XJXK	MTV-G1/4-AG
MPC 210...	MRP-B XJXK	MTV-G1/4-AG
MPC 250...	MRP-B XJXK	MTV-G1/2-AG

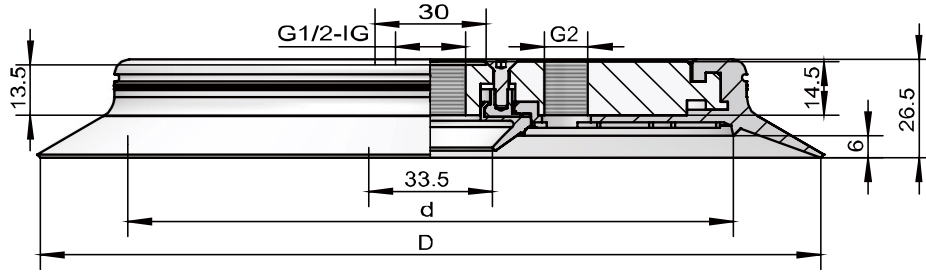
Technical parameters

Model	Suction force Ds N	Suction force d2 N	Internal Volume cm ³	Weight g
MPC 160 □ G1/2-IG(TV)	975	475	98	450
MPC 210 □ G1/2-IG(TV)	1760	1125	202	900
MPC 250 □ G1/2-IG(TV)	2540	1815	310	1330



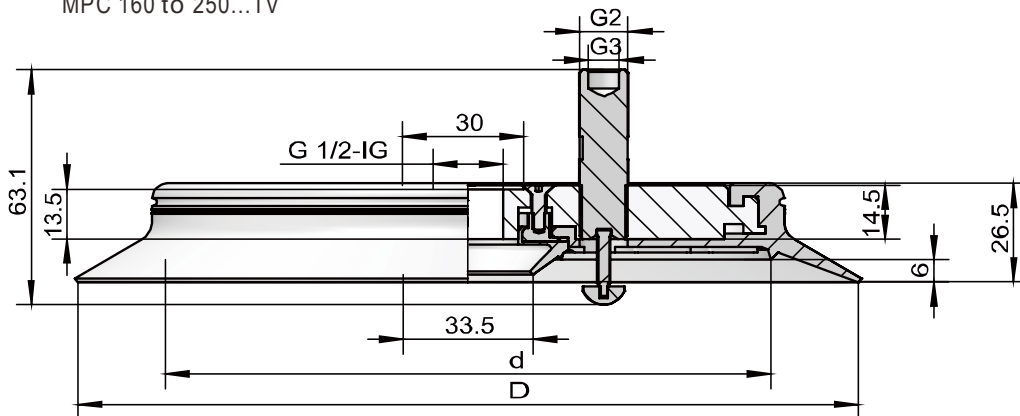
Design parameters

MPC 160 to 250...



Model	Size (mm)	Size (mm)		
		D	d	G2
MPC 160 □ G1/2-IG		160	113	G1/4-IG
MPC 210 □ G1/2-IG		210	163	G1/4-IG
MPC 250 □ G1/2-IG		250	203	G1/2-IG

MPC 160 to 250...TV



Model	Size (mm)	Size (mm)			
		D	d	G2	G3
MPC 160 □ G1/2-IG TV		160	113	G1/4-AG	G1/8-IG
MPC 210 □ G1/2-IG TV		210	163	G1/4-AG	G1/8-IG
MPC 250 □ G1/2-IG TV		250	203	G1/2-AG	G1/8-IG