

MPG high vacuum suction cup for the packaging industry

Size: 25mm

Material: PVC



Packaging

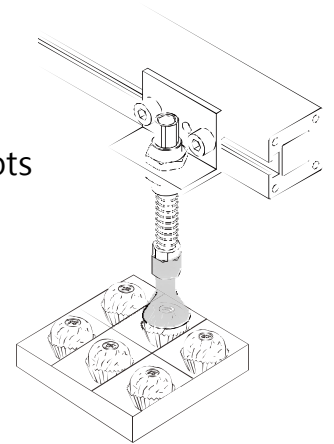


Introduction

- Taper sealing rim
- Good sealing for spherical product gripping
- Food grade material

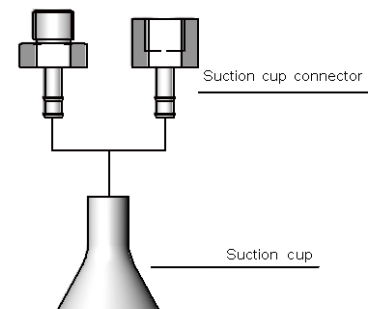
Application

- The suction cup is suitable for high-speed handling of robots
- Strong suction force, and good buffering for suctioning workpieces with uneven surfaces
- Good sealing, long compression travel, and strong adaptability to uneven surfaces



Structure

- The suction cup has a very thin and soft taper sealing rim
- The integral plug-in connection and the G1/8 female thread or male thread enable very easy replacement of the suction cup



purchase guide

MPG 25 PVC55 G1/8-AG

① ② ③ ④

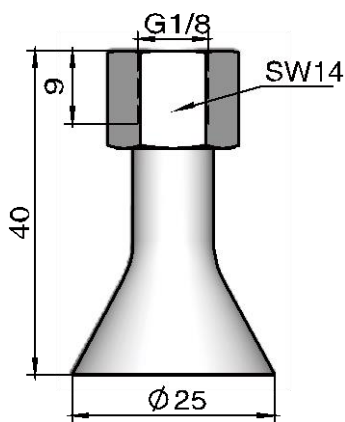
① Product series	② Size specification	③ Material and Shore hardness	④ Connector specification
MPG	25 - φ25mm	PVC55 - 55° polyvinyl chloride	Null - Bare suction cup G1/8-AG - G1/8 male thread G1/8-IG - G1/8 female thread Note: AG = male thread; IG = female thread

Technical parameters

Model	Internal Volume cm ³	Suction Cup Diameter mm	Weight g
MPG 25...	2.3	25	2.2

design parameters

MPG 25 □ G1/8-IG



MPG 25 □ G1/8-AG

