



## MPLO

### Flat suction cup (oval)

Size:100X30-370X80mm

Material:N



General-pur  
pose



Sheet  
metal



Glass



Wood

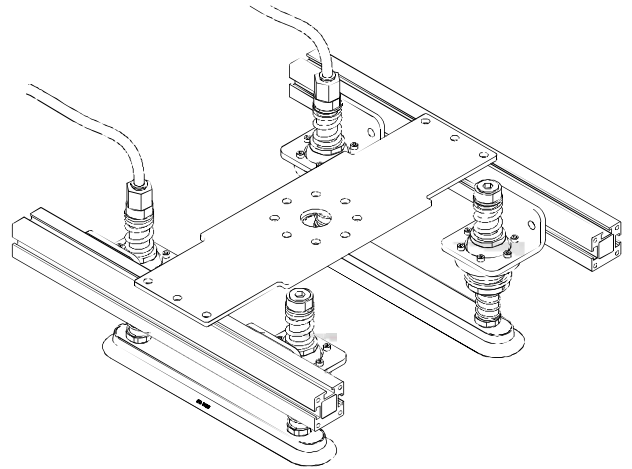


### Introduction

- Oval flat suction cup
- A support structure in the bottom
- Large load capacity, flexible installation
- Applicable to workpieces of different sizes and in different shapes
- No permanent deformation of handled thin-walled workpieces

### Application

- Handles long thin workpieces such as profiled materials, door and window frames, etc.
- When handling a long thin workpiece, the oblong suction cup generates a suction force stronger than that generated by the round suction cup



### Structure

- The robust well-wearing MPLO flat suction cup has a single lip seal
- The lip seal is fixed to the holding plate by vulcanization
- The NBR lip seal almost leaves no mark trace on the workpiece





## purchase guide

### MPLO 100× 30 N

①                      ②                      ③

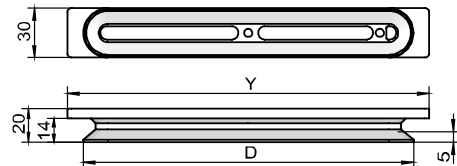
① Product series	② Size specification	③ Material	
MPLO	100× 30 - ( Lx W) 100× 30mm	250× 55 - ( Lx W) 250× 55mm	N-nitrile rubber
	200× 30 - ( Lx W) 200× 30mm	300× 55 - ( Lx W) 300× 55mm	
	300× 30 - ( Lx W) 300× 30mm	300× 100 - ( Lx W) 300× 100mm	
	150× 55 - ( Lx W) 150× 55mm	370× 80 - ( Lx W) 370× 80mm	
	200× 55 - ( Lx W) 200× 55mm		

## Technical parameters

Model	Suction force N	Internal Volume cm <sup>3</sup>	Minimum radius of curvature of workpiece mm (convex)	Weight g
MPLO 100x30 N	126	13	25	200
MPLO 200x30 N	260	26	30	400
MPLO 300x30 N	400	39	30	600
MPLO 150x55 N	340	60	75	215
MPLO 200x55 N	465	80	50	320
MPLO 250x55 N	590	100	50	425
MPLO 300x55 N	710	120	50	530
MPLO 300x100 N	1250	165	175	1275
MPLO 370x80 N	1270	240	100	1200

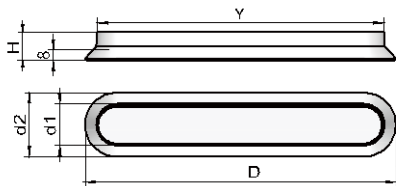
## Design parameters

MPLO 100×30 to 300× 30



Model	Size (mm)	
	D	Y
MPLO 100×30 N	99	120
MPLO 200×30 N	201	220
MPLO 300×30 N	300	320

MPLO 370×80 , 150×55 to 300×55



Model	Size (mm)				
	D	d2	d1	Y	H
MPLO 150×55 N	150	55	32	125	19.4
MPLO 200×55 N	200	53	31	178	22
MPLO 250×55 N	246	51	32	225	22
MPLO 300×55 N	300	54	31	274	21
MPLO 370×80 N	374	81	54	347	26

MPLO 300×100

