



## PFG

### 圓形扁平型吸盤

尺寸規格:2-120mm

材質:F、HT1、N、GN、S、GS



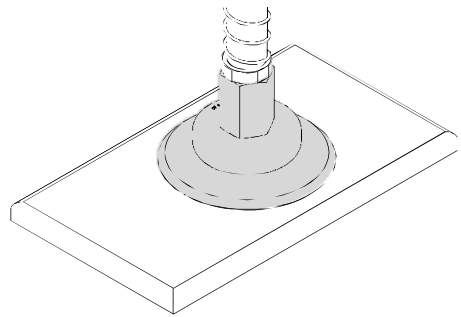
通用

### 介紹

- 搬運表面光滑或略微粗糙的平板工件
- 搬運高工件(HT1,S)
- 搬運受壓敏感工件時幾乎無痕跡抗靜電(HT1 和 GN、GS 系列)

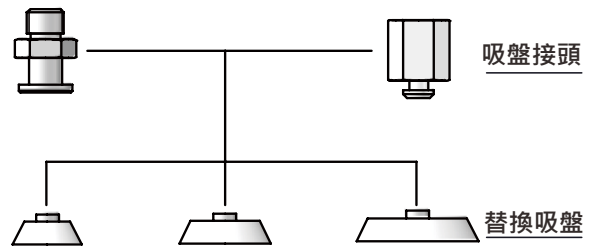
### 應用

- 適合表面光滑或略微粗的平板工件如:光滑木板、光滑鋼板、膠合板、塑膠板等
- 適合搬運電子元件,防靜電材質能有效防止靜電對電子產品的破壞



### 結構

- 直徑 50 MM 及以下：直插式接頭
- 直徑 60 MM 及以上：安裝板與吸盤墊硫化在一起，接頭直接通過螺紋擰入





扁平型吸盤 PFG 訂購指南

**PFG 2 N M3-AG**

① ② ③ ④

① 產品系列	② 尺寸規格	③ 材質	④ 連接頭規格
PFG	2 - φ2mm	30 - φ30mm	F - 氟橡膠
	3.5 - φ3.5mm	35 - φ35mm	HT1 - 耐高溫無痕材料
	5 - φ5mm	40 - φ40mm	N - 丁腈橡膠
	6 - φ6mm	50 - φ50mm	GN - 防靜電丁腈橡膠 (防靜電指數10 <sup>5</sup> ~10 <sup>9</sup> )
	8 - φ8mm	60 - φ60mm	S - 矽橡膠
	10 - φ10mm	80 - φ80mm	GS - 防靜電矽橡膠 (防靜電指數10 <sup>5</sup> ~10 <sup>9</sup> )
	15 - φ15mm	95 - φ95mm	
	20 - φ20mm	120 - φ120mm	
	25 - φ25mm		
			M3-AG - M3外螺紋
			M5-AG - M5外螺紋
			M5-IG - M5內螺紋
			G1/8-AG - G1/8外螺紋
			G1/8-IG - G1/8內螺紋
			G1/4-AG - G1/4外螺紋
			G1/4-IG - G1/4內螺紋
			G1/2-IG - G1/2內螺紋

注:AG=外螺紋 IG=內螺紋

扁平型吸盤 PFG 選型規格

選型規格	M3-AG	M5-AG	M5-IG	G1/8-AG	G1/8-IG	G1/4-AG	G1/4-IG	G1/2-IG
PFG 2	●	-	-	-	-	-	-	-
PFG 3.5	●	-	-	-	-	-	-	-
PFG 5	-	●	●	-	-	-	-	-
PFG 6	-	●	●	-	-	-	-	-
PFG 8	-	●	●	-	-	-	-	-
PFG 10	-	●	●	●	●	-	-	-
PFG 15	-	-	-	●	●	-	-	-
PFG 20	-	-	-	●	●	-	-	-
PFG 25	-	-	-	●	●	-	-	-
PFG 30	-	-	-	●	●	-	-	-
PFG 35	-	-	-	●	●	-	-	-
PFG 40	-	-	-	●	●	-	-	-
PFG 50	-	-	-	●	●	-	-	-
PFG 60	-	-	-	-	-	●	●	-
PFG 80	-	-	-	-	-	●	●	-
PFG 95	-	-	-	-	-	●	●	-
PFG 120	-	-	-	-	-	-	-	●

扁平型吸盤 PFG 配件選型規格

配件名稱	形號規格		適合吸盤			
	AG-外螺紋	IG-內螺紋				
吸盤接頭	S003 M3-AG		PFG 2	PFG 3.5		
	S004 M5-AG	S004 M5-IG	PFG 5	PFG 6	PFG 8	PFG 10
	S004 G1/8-AG	S004 G1/8-IG	PFG 10			
	S005 G1/8-AG	S005 G1/8-IG	PFG 15			
	S006 G1/8-AG	S006 G1/8-IG	PFG 20			
	S007 G1/8-AG	S007 G1/8-IG	PFG 25	PFG 30	PFG 35	PFG 40
	S008 G1/8-AG	S008 G1/8-IG	PFG 50			
	S009 G1/4-AG	S009 G1/4-IG	PFG 60	PFG 80	PFG 95	
		S010 G1/2-IG	PFG 120			

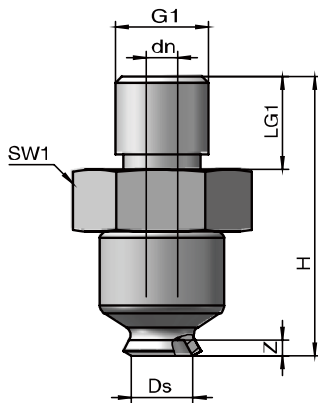


## 扁平型吸盤 PFG 技術參數

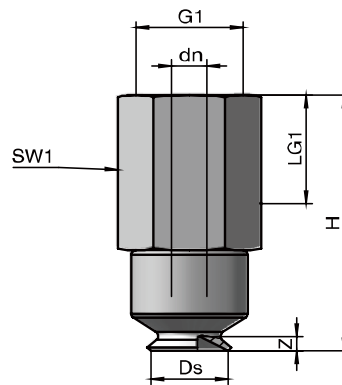
型號	吸力 N	內部體積 cm <sup>3</sup>	工件最小曲率半徑 mm (凸形)	重量 g
PFG 2	0.12	0.001	2	0.12
PFG 35	0.42	0.002	8	0.21
PFG 5	0.75	0.005	8	0.3
PFG 6	1.20	0.008	8	0.36
PFG 8	2.30	0.030	10	0.48
PFG 10	4.00	0.070	13	0.6
PFG 15	9.00	0.400	13	0.9
PFG 20	15.50	0.800	20	1.6
PFG 25	26.50	1.300	25	2.8
PFG 30	34.00	1.300	40	3.4
PFG 35	44.00	2.700	50	4.4
PFG 40	57.70	3.800	50	5.7
PFG 50	91.00	7.000	75	7.3
PFG 60	125.00	10.000	100	46.7
PFG 80	260.00	25.000	150	62
PFG 95	350.00	35.000	200	70
PFG 120	540.00	77.800	300	146.2

## 扁平型吸盤 PFG 設計參數

PFG 2 至 10 AG

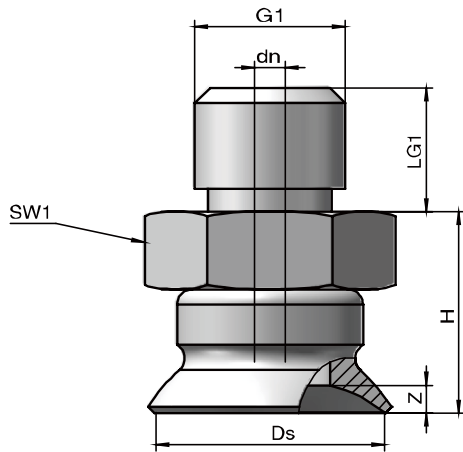


PFG 5 至 10 IG

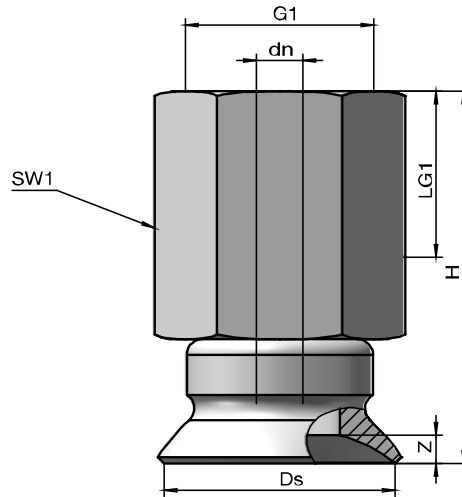




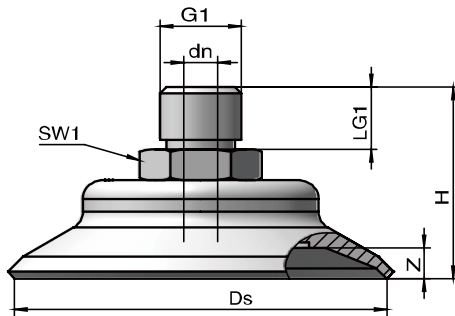
PFG 15 至 50AG



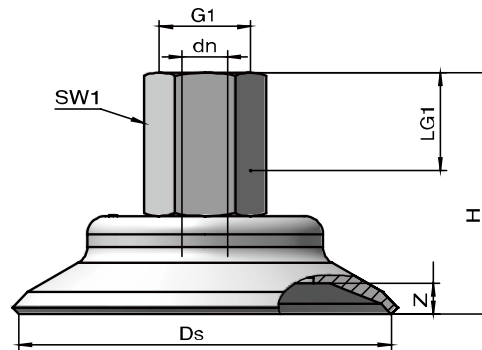
PFG 15 至 50 IG



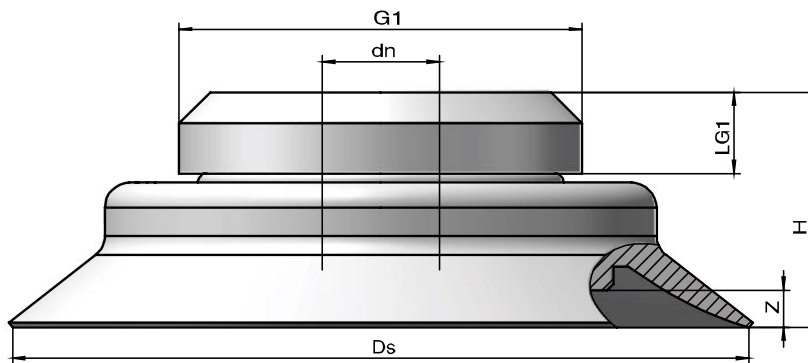
PFG 60 至 95AG



PFG 60 至 95 IG



PFG 120 IG



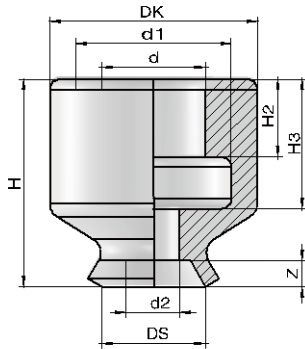


型號	尺寸 [mm]							
	dn	Ds	G1	H	LG1	SW1	Z(行程)	
PFG 2 M3-AG	1.0	2.0	M3-AG	6.0	3.0	5	0.5	
PFG 35 M3-AG	1.0	3.5	M3-AG	6.0	3.0	5	0.5	
PFG 5 M5-AG	2.0	5.0	M5-AG	11.5	4.5	8	0.9	
PFG 5 M5-IG	2.0	5.0	M5-IG	16.5	5.5	8	0.9	
PFG 6 M5-AG	2.0	6.0	M5-AG	11.5	4.5	8	1.0	
PFG 6 M5-IG	2.0	6.0	M5-IG	16.5	5.5	8	1.0	
PFG 8 M5-AG	2.0	8.0	M5-AG	12.0	4.5	8	1.4	
PFG 8 M5-IG	2.0	8.0	M5-IG	17.0	5.5	8	1.4	
PFG 10 M5-AG	2.0	10.0	M5-AG	12.5	4.5	8	1.3	
PFG 10 M5-IG	2.0	10.0	M5-IG	17.5	5.5	8	1.3	
PFG 10 G1/8-AG	2.0	10.0	G1/8"-AG	12.5	8.0	14	1.3	
PFG 10 G1/8-IG	2.0	10.0	G1/8"-IG	23.5	9.0	14	1.3	
PFG 15 G1/8-AG	2.0	15.0	G1/8"-AG	13.0	8.0	14	1.9	
PFG 15 G1/8-IG	2.0	15.0	G1/8"-IG	24.0	9.0	14	1.9	
PFG 20 G1/8-AG	2.0	20.0	G1/8"-AG	15.0	8.0	14	2.3	
PFG 20 G1/8-IG	2.0	20.0	G1/8"-IG	26.0	9.0	14	2.3	
PFG 25 G1/8-AG	2.4	25.0	G1/8"-AG	19.0	8.0	14	3.0	
PFG 25 G1/8-IG	2.4	25.0	G1/8"-IG	30.0	9.0	14	3.0	
PFG 30 G1/8-AG	2.4	28.8	G1/8"-AG	17.0	8.0	14	2.0	
PFG 30 G1/8-IG	2.4	28.8	G1/8"-IG	28.0	9.0	14	2.0	
PFG 35 G1/8-AG	2.4	35.0	G1/8"-AG	19.0	8.0	14	3.0	
PFG 35 G1/8-IG	2.4	35.0	G1/8"-IG	30.0	9.0	14	3.0	
PFG 40 G1/8-AG	2.4	40.0	G1/8"-AG	19.0	8.0	14	3.5	
PFG 40 G1/8-IG	2.4	40.0	G1/8"-IG	30.0	9.0	14	3.5	
PFG 50 G1/8-AG	2.4	50.0	G1/8"-AG	20.0	8.0	14	4.0	
PFG 50 G1/8-IG	2.4	50.0	G1/8"-IG	31.0	9.0	14	4.0	
PFG 60 G1/4-AG	5.5	60.0	G1/4"-AG	23.0	10.0	17	5.0	
PFG 60 G1/4-IG	5.5	60.0	G1/4"-IG	39.0	11.0	17	5.0	
PFG 80 G1/4-AG	5.5	80.0	G1/4"-AG	25.0	10.0	17	6.0	
PFG 80 G1/4-IG	5.5	80.0	G1/4"-IG	41.0	11.0	17	6.0	
PFG 95 G1/4-AG	5.5	95.0	G1/4"-AG	25.5	10.0	17	6.0	
PFG 95 G1/4-IG	5.5	95.0	G1/4"-IG	41.5	11.0	17	6.0	
PFG 120 G1/2-IG	13.5	120.0	G1/2"-IG	36.5	13.0	-	6.0	

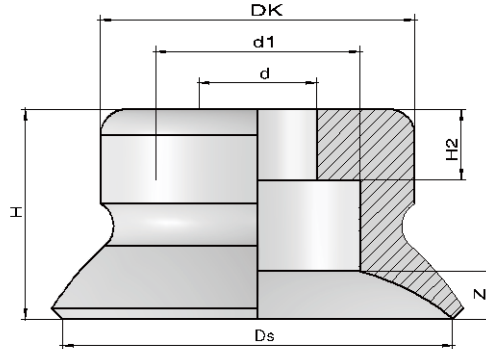


## 吸盤墊備件 PFG 設計參數

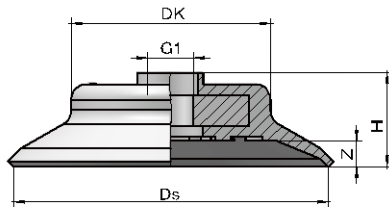
PFG 2 至 10



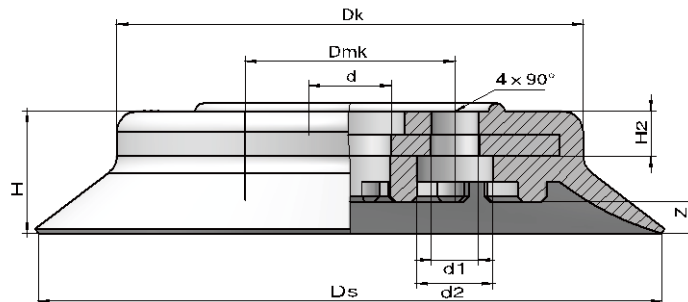
PFG 15 至 50



PFG 60 至 95



PFG 120



型號	尺寸 [mm]											
	d	d1	d2	DK	Dmk	DS	G1	H	H2	H3	Z(行程)	
PFG 2	2.0	3.0	1.0	4.0	-	2.0	-	4.0	1.5	2.5	0.5	
PFG 35	2.0	3.0	1.0	4.0	-	3.5	-	4.0	1.5	2.5	0.5	
PFG 5	4.0	6.0	1.5	7.5	-	5.0	-	6.5	2.0	4.0	0.9	
PFG 6	4.0	6.0	2.0	7.5	-	6.0	-	6.5	2.0	4.0	1.0	
PFG 8	4.0	6.0	2.0	8.0	-	8.0	-	7.0	2.0	4.0	1.4	
PFG 10	4.0	6.0	2.0	8.5	-	10.0	-	7.5	2.6	4.0	1.3	
PFG 15	4.5	7.8	-	12.0	-	15.0	-	8.0	4.5	-	1.9	
PFG 20	4.5	11.0	-	15.0	-	20.0	-	10.0	7.0	-	2.3	
PFG 25	6.0	11.0	-	16.0	-	25.0	-	14.0	7.0	-	3.0	
PFG 30	6.0	11.0	-	14.5	-	28.8	-	12.0	7.0	-	2.0	
PFG 35	6.0	11.0	-	20.5	-	35.0	-	14.0	7.0	-	3.0	
PFG 40	6.0	11.0	-	24.0	-	40.0	-	14.0	7.2	-	3.5	
PFG 50	8.0	20.0	-	28.5	-	50.0	-	15.0	-	-	4.0	
PFG 60	-	-	-	38.5	-	60.0	M10x1.25-IG	18.0	-	-	5.0	
PFG 80	-	-	-	52.0	-	80.0	M10x1.25-IG	18.0	-	-	6.0	
PFG 95	-	-	-	68.0	-	95.0	M10x1.25-IG	19.0	-	-	6.0	
PFG 120	13.5	7.0	14.5	90.0	40	120.0	-	23.5	8.5	-	6.0	