



PJG Suction Cups

PJG-PEEK Suction Cups Traceless



Features

The PJG suction cup is designed to adhere to spherical or angled target objects, featuring a corrugated tube section with excellent cushioning properties.

The core of the PJG suction cup, based on the original corrugated PJG design, is equipped with PEEK components. PEEK is resistant to high temperatures, up to approximately 250 degrees Celsius, ensuring that no traces are left on the surface when adhering to workpieces.



PEEK is a high-temperature resistant material known for its exceptional mechanical properties, good self-lubrication, resistance to chemical corrosion, flame retardancy, peel resistance, and abrasion resistance. Its traceless characteristic ensures that no marks appear on the surface of the adhered material due to aging or corrosion.





Suction Cup Material

White: Silicone	Black: Nitrile Rubber
	
Silicone is durable and heat-resistant. Due to its stable chemical properties and non-toxic nature, it is often used in medical and food industries.	Nitrile rubber has excellent oil resistance and good acid and alkali resistance, making it widely applicable. It also has good water resistance and is easy to process, which is why it is commonly used as a sealing material and suction cup material.

Order Code

PJG - 8 - N - PEEK

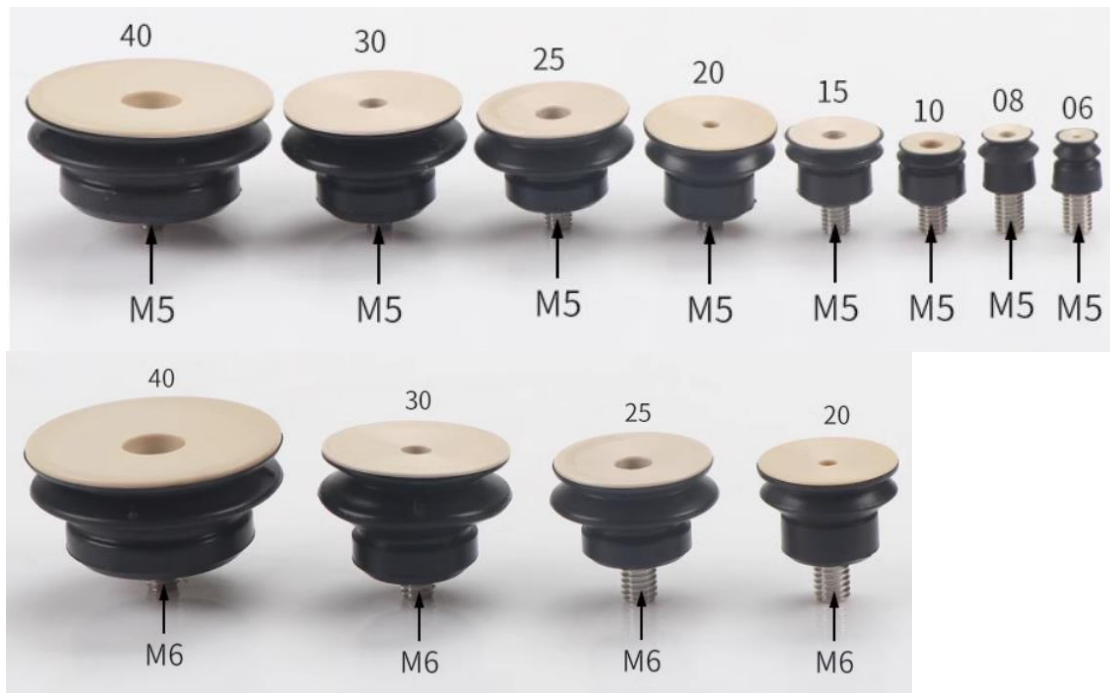
- ①
- ②
- ③
- ④

① Model	② Size	③ Material	④ Accessories
PJG	6 30 8 40 10 50 15 60 20 70 25 80	N - Nitrile Rubber S - Silicone Ru	None PEEK



PJG-PEEK Model specifications

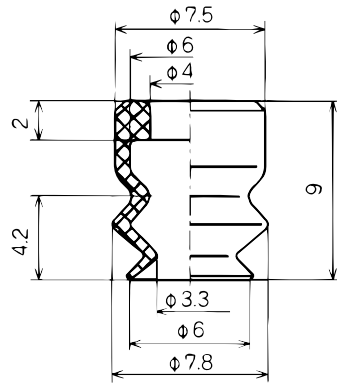
Model specifications	M5 screw	M6 screw
6	●	
8	●	
10	●	
15	●	
20	●	●
25	●	●
30	●	●
40	●	●
50	●	●



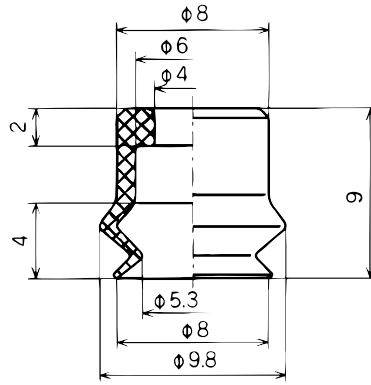


Dimensions

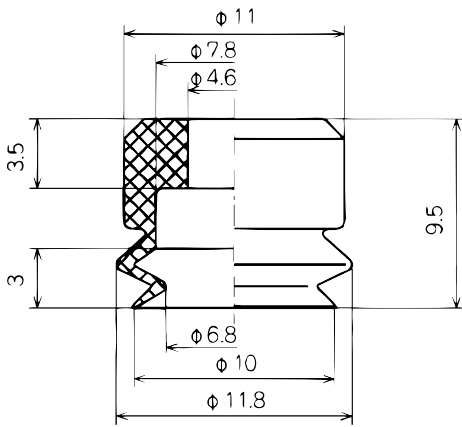
■ PJG



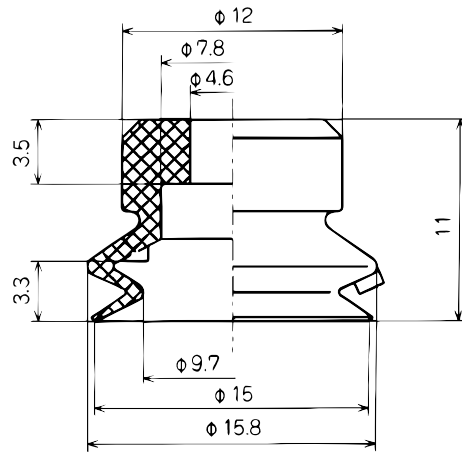
PJG-6



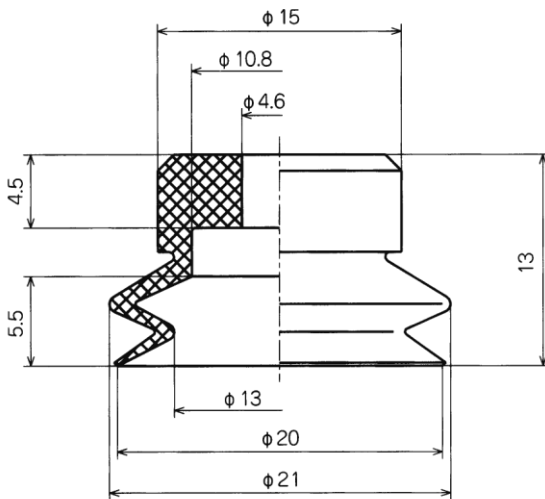
PJG-8



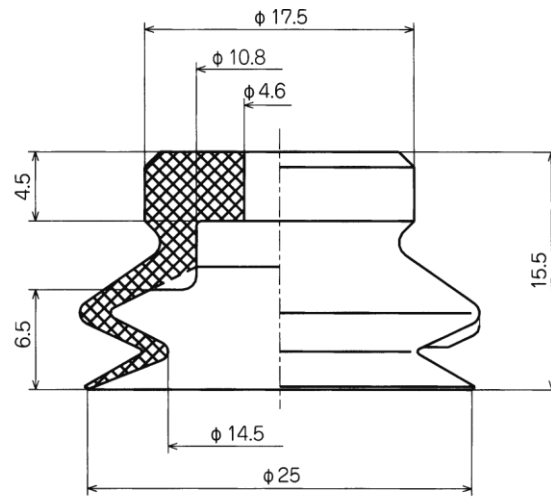
PJG-10



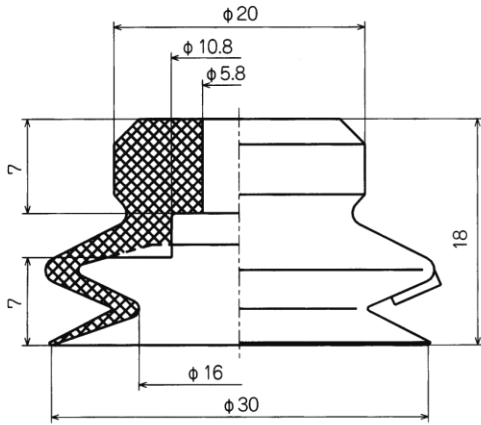
PJG-15



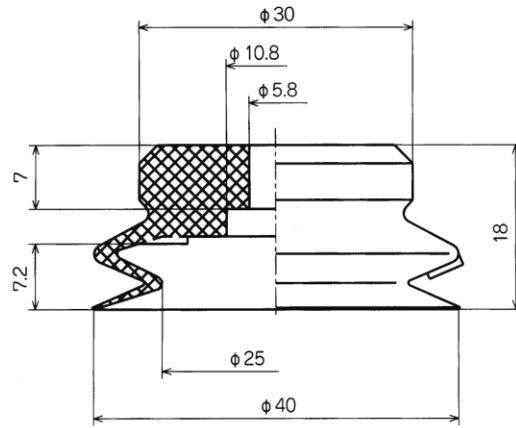
PJG-20



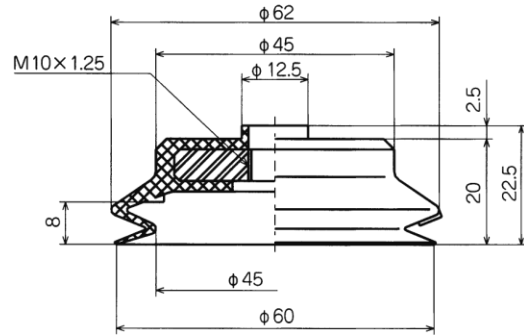
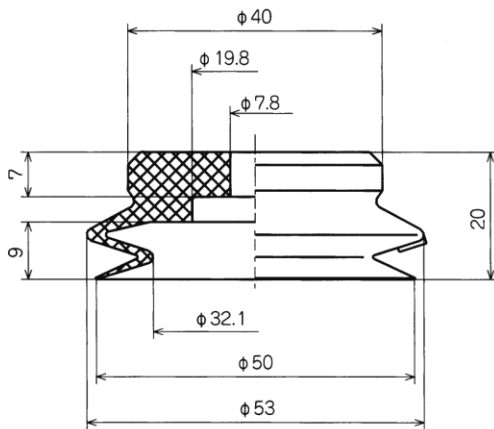
PJG-25



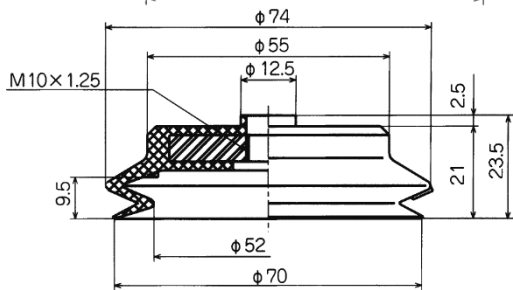
PJG-30



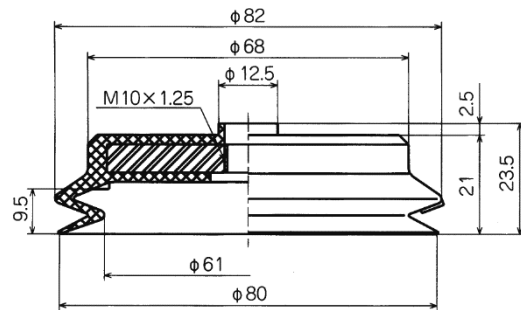
PJG-40



PJG-60



PJG-70

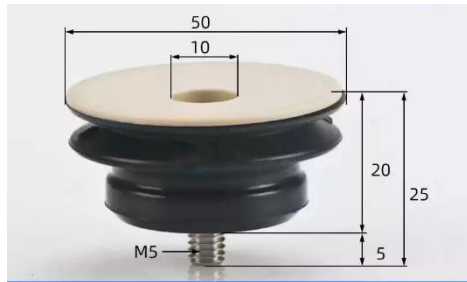


PJG-80

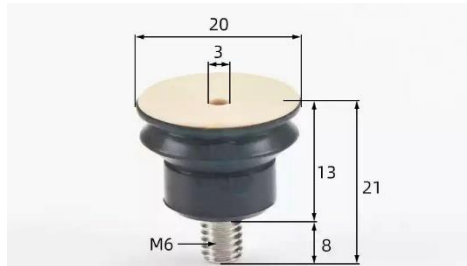


■ PJG-PEEK





PJG-50N-PEEK-M5



PJG-20N-PEEK-M6



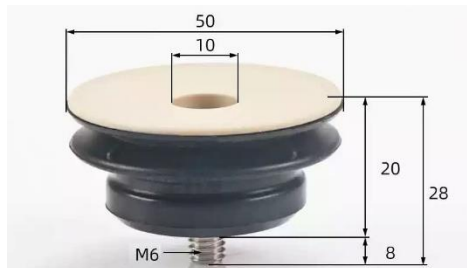
PJG-25N-PEEK-M6



PJG-30N-PEEK-M6



PJG-40N-PEEK-M6



PJG-50N-PEEK-M6