



## STP Ultra-thin Flower-shaped Suction Cup

For packaging bags/soft bags /shrink film use



### Features

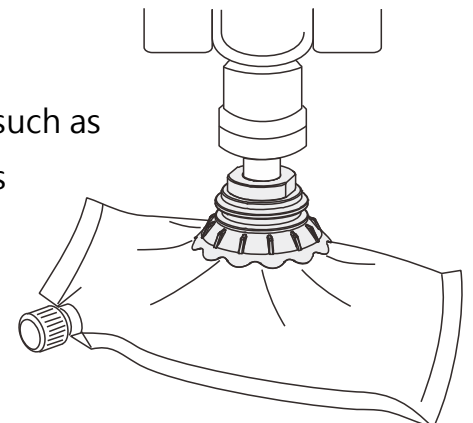
- Ultra-thin soft sealing lip design
- Double reinforced rib structure
- Food grade POM and silicone
- Lateral air ports are evenly distributed
- Two sizes and two hardness are optional

### Advantages

- Optimal sealing, good for fitting different soft packing bags
- Effectively enhance suction cup strength, ensure maximum grasping capacity
- Can be used for food package handling
- Prevent soft package from deformation during grabbing and blocking the air port
- 35 degrees white silicone is suitable for softer bags, 50 degrees blue silicone is suitable for harder bags

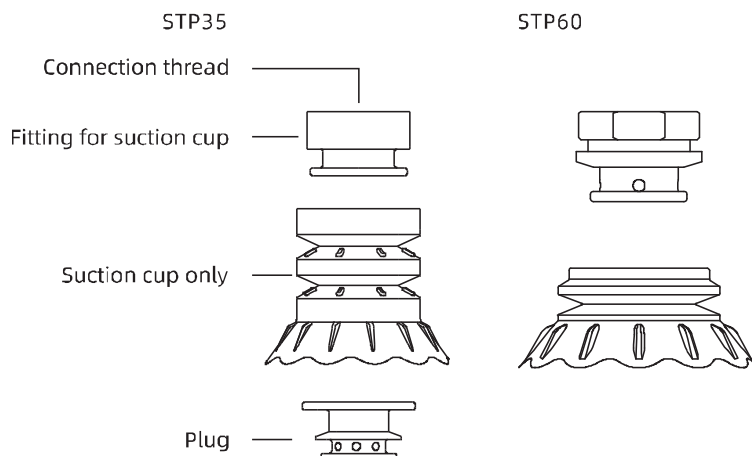
### Applications

- Suitable for handling soft packaging plastic bags, such as bags of washing powder, detergent, tissue, express bags, etc.
- Food grade silicone can be used in food industry, such as bag of milk, bread, puffed food, etc.



## Structure

- STP35 is 2.5 bellows and with large compressed stroke
- Suction cup and fitting are split structure design, wearing parts can be replaced separately



## How to order

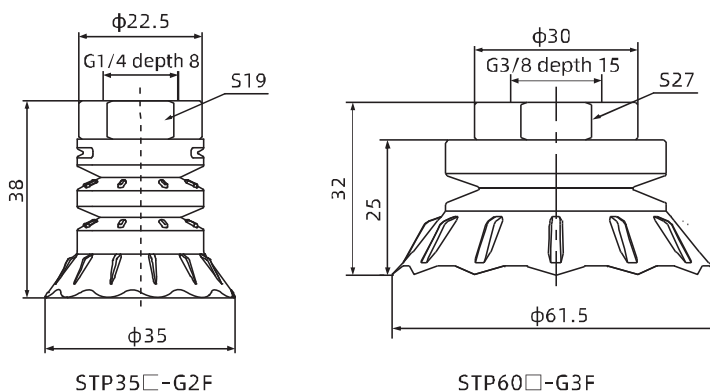
STP 60 S - G3F  
① ② ③ ④

① Series	② Diameter	③ Material & Hardness	④ Connection thread
STP	35 - $\phi$ 35mm 60 - $\phi$ 60mm	S - Silicone WS - White silicone	G2F - G1/4 female thread G3F - G3/8 female thread

## Selection

Model	Material S	WS	MPQ pcs	Weight g
STP35	STP35S-G2F	STP35WS-G2F	1	5
STP60	STP60S-G3F	STP60WS-G3F	1	9

## Dimensions(mm)



Note: The dimensional tolerance conforms to GBT3672.1 -2002-1 M3 rubber product dimensional tolerance standard