



STP Ultra-thin Flower-shaped Suction Cup

For packaging bags/soft bags /shrink film use



Features

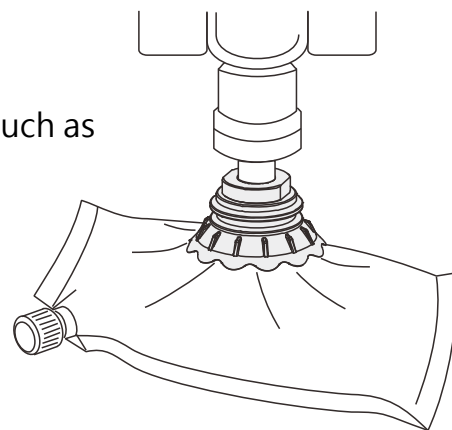
- Ultra-thin (0.25mm) petal-shaped lip design, which enhances adaptability to various soft bag packaging, ensuring sealing during transportation.
- Wedge-shaped support structure inside the suction cup, effectively increasing its structural strength to maximize gripping force.
- Side air ports evenly distributed on the connector, effectively preventing soft bag packaging from blocking the air inlet.
- Soft packaging bags (laundry powder bags, laundry detergent bags, instant noodle bags, bread bags, courier bags).

Advantages

- Imported silicone material: Resistant to high and low temperatures, chemically stable, and non-polluting. It is commonly used in the medical and food industries.
- Petal-shaped suction cup: The suction cup edge is designed in a petal shape, allowing easy adhesion to uneven or wrinkled packaging.
- Plastic connector: The connector is made of plastic material, offering excellent flexibility and effectively protecting the working process.
- Ultra-thin petal-shaped lip design: The ultra-thin petal-shaped design of the suction cup lip ensures strong sealing, making it better suited for various soft packaging bags and enhancing suction strength.

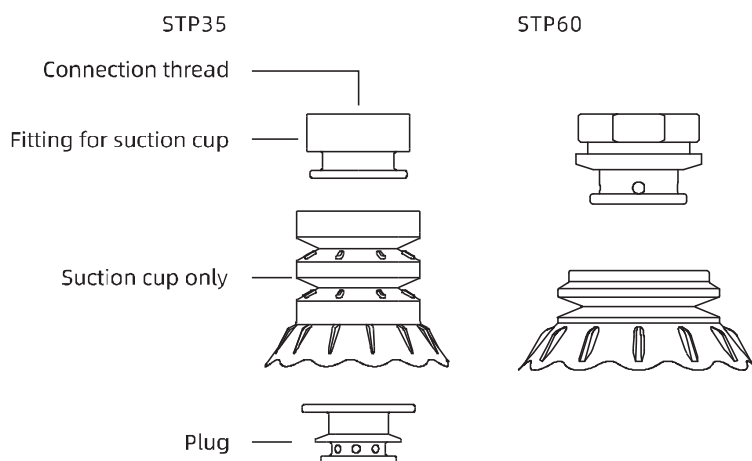
Applications

- Suitable for handling soft packaging plastic bags, such as bags of washing powder, detergent, tissue, express bags, etc.
- Food grade silicone can be used in food industry, such as bag of milk, bread, puffed food, etc.



Structure

- STP35 is 2.5 bellows and with large compressed stroke
- Suction cup and fitting are split structure design, wearing parts can be replaced separately



How to order

STP 60 S - G3F
① ② ③ ④

① Series	② Diameter	③ Material & Hardness	④ Connection thread
STP	35 - ϕ 35mm 60 - ϕ 60mm	S - Silicone	G2F - G1/4 female thread G3F - G3/8 female thread

Selection

Model	Material S	MPQ pcs	Weight g
STP35	STP35S-G2F	1	5
STP60	STP60S-G3F	1	9

Dimensions(mm)

■ STP35-G2F



■ STP60-G3F

